

FEATURES

- Solid Brass Construction for Durability and Reliability
- Quarter-turn Washerless Ceramic Disc Valves
- Complements the For Country Collection

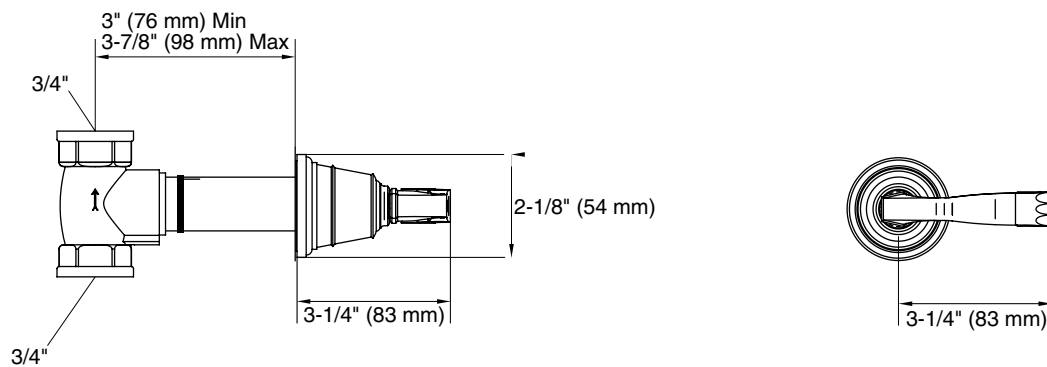
CODES/STANDARDS APPLICABLE

Specified Models Meets or Exceeds the Following:

- ASSE/ANSI 1016
- ADA

P22823

ADA



ROUGHING-IN NOTES

All Dimensions are Nominal.

Valve Hole Size 1-5/8" (41 mm)

SPECIFIED MODEL

Model	Description	Finishes			
P22823-LY	For Country Wall Bath Valve, Lever Handle, Cold	<input type="checkbox"/> CP Polished Chrome	<input type="checkbox"/> AD Nickel Silver	<input type="checkbox"/> AG Brushed Nickel	<input type="checkbox"/> SA Antique Silver
P22823-LX	For Country Wall Bath Valve, Lever Handle, Hot	<input type="checkbox"/> CP Polished Chrome	<input type="checkbox"/> AD Nickel Silver	<input type="checkbox"/> AG Brushed Nickel	<input type="checkbox"/> SA Antique Silver
Required Rough-in					
P19104-00	Rough-In Assembly	<input type="checkbox"/> NA			

We reserve the right to make revisions without notice in the design of products or in packaging unless this right has specifically been waived at the time the order is accepted.