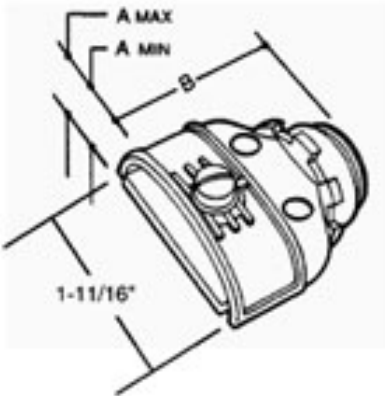


Steel City[®]



T&B Catalog Number: XC 210
UPC Number: 78599144668
Description: 3/8" Duplex Clamp Connector, Die Cast Zinc. For use with Armored Cable/Flexible Metal Conduit.
Status: Active



General

-Trade Size (inches)	3/8" (1/2" Knockout)
-Material	Die Cast Zinc
-Connection Type	Clamp

Dimension Information

-Diameter_B (inches)	1.56
-A_Minimum (inches)	.13
-A_Maximum (inches)	.65

Packaging

-T&B Inner Pack	25
-Package in Units	250
-T&B Sold in UOM	Each
-T&B Weight Per UOM	12.62 lbs. per 100

Certifications

-RoHS Compliance	Yes
------------------	-----

Certifications



File Nbr:
E 1383

For further technical assistance, please contact us...

Thomas & Betts - USA
 8155 T&B Blvd.
 Memphis, TN 38125
 www.tnb.com

T&B Technical Support
 MS 3B-50
 8155 T&B Blvd.
 Memphis, TN 38125

Hours: 7AM - 6PM CDT
 Monday-Friday
 Phone: (888) 862-3289
 Fax: (901) 252-1321
 Email:techsupport@tnb.com