

SF-400

Submittal Data Information

Probe Style Low Water Cut-Off-Residential Steam

400 Series - Non-Cycling

Supersedes: NEW

Effective: January 1, 2007

JOB _____ ENGINEER _____ CONTRACTOR _____

Item Number	Model Number	NOTES

FEATURES

- **Low Maintenance**-No moving parts to wear or hang up, as in float devices.
- **Advanced Solid State Design**-High quality, economical boiler protection.
- **Delayed Burner Shutdown**-15 second off-time delay in low water condition prevents burner short cycling due to surging and priming.
- **Probe Plus 30**-Thirty second on-time delay allows solenoid valves and automatic feeders to bring feed water past the probe to a safe operating level.
- **Automatic Reset**-Automatically restarts the boiler after 30 second on-time delay when water reaches the probe.

Standard Application

Safgard 400 Series Low Water Cut-Offs are used as the primary low water cut-off on residential and light commercial steam heating boilers. They are also used in low pressure steam process applications.

Operation

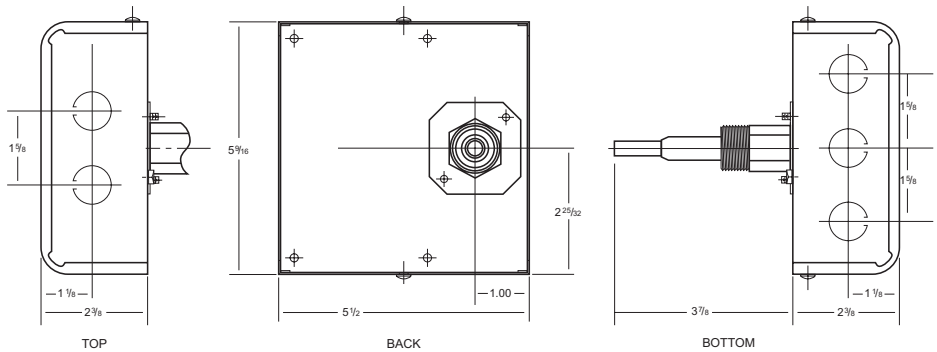
Hydrolevel controls utilize a non-moving, heavy duty, electronic probe to sense liquid levels. The probe can be installed in an equalizing line or directly into a boiler or water tank. When water is in contact with the probe, it completes a circuit between the stainless steel probe tip and the tank or boiler surface in which the probe is installed. When the water level drops below the probe, the circuit opens.

Hydrolevel low water cut-offs for steam heating systems use the water signal to allow the burner to operate. If the water level drops below the probe, the circuit opens and the cut-off shuts down the burner. Hydrolevel primary controls for steam boilers utilize both on-time and off-time delays to prevent boiler short-cycling and to facilitate proper automatic boiler water feeding.

SAFGARD SERIES 400 SPECIFICATIONS

- **Switch Contacts**.....SPDT
- **Input Voltage**.....24VAC/60HZ or 120VAC/60HZ
- **Alarm Circuit**..50VA@24VAC-Pilot Duty or 125VA@120VAC-Pilot Duty
- **Max. Steam Boiler Pressure**.....15 psi
- **Agency Listing**.....U.L. - 488S
- **Switch Contact Ratings**.....5.8 FLA 34.8 LRA
- **Control Power Consumption**.....3.6 VA
- **Control Housing**.....NEMA1

Dimensions



MATERIALS OF CONSTRUCTION

- **Control Housing**.....Galvanized Steel
- **Probe Insulator**.....Glazed Ceramic
- **Probe Tip**.....316 Stainless Steel



83 Water Street, New Haven, CT 06511
 Phone: (203) 776-0473 • Fax: (203) 773-1019
 email address: info@hydrolevel.com
 Visit our website at:

www.hydrolevel.com