

SUPER-VEE

Parts List and Diagrams

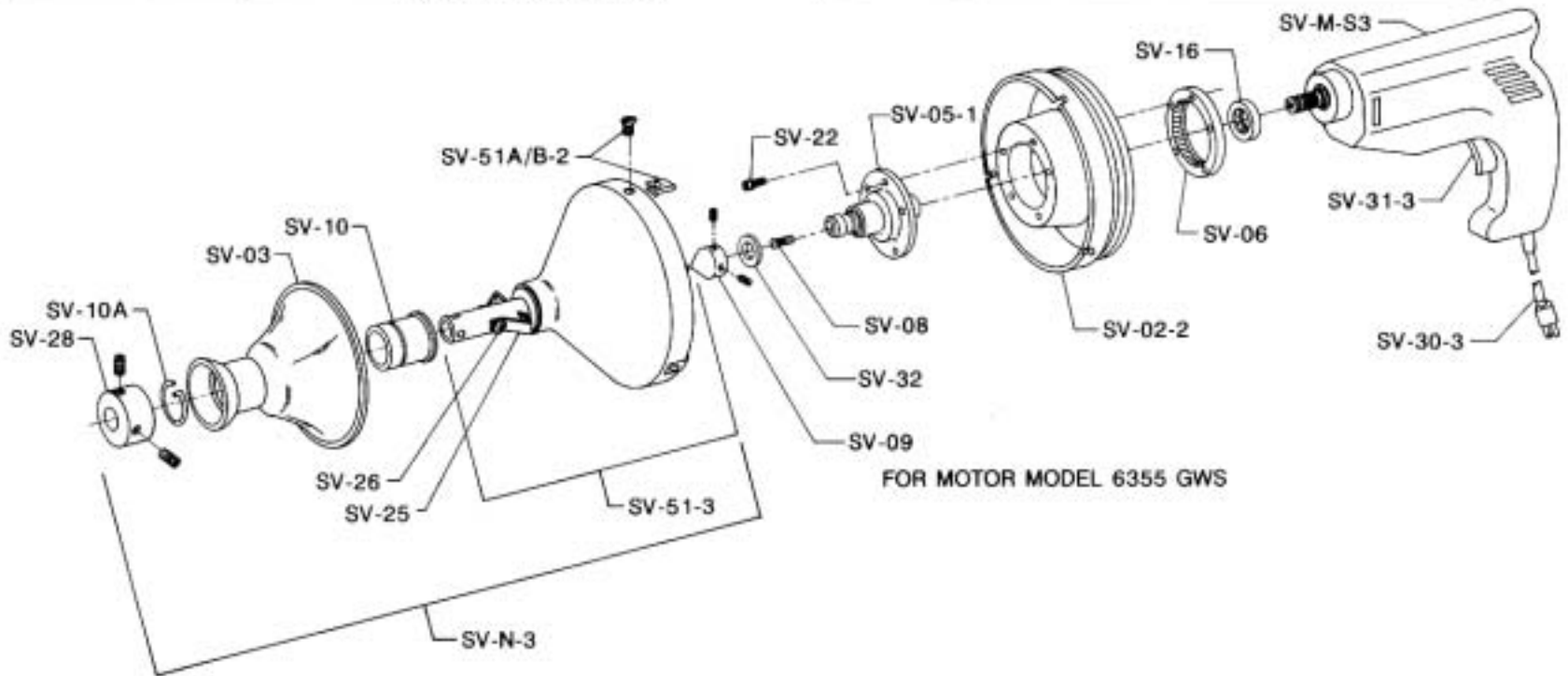
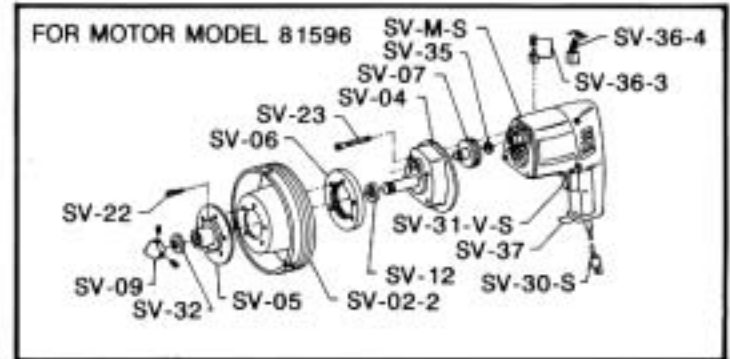
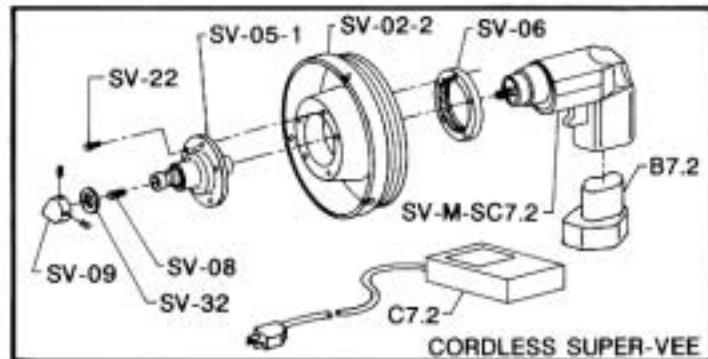
CAT. NO.	DESCRIPTION	CAT. NO.	DESCRIPTION
SV-M-S	Skil Variable Speed Motor, Model #81596	SV-30-S	Cord Set for Motor #81596
SV-M-S3	Skil Variable Speed Motor, Model #6355-GWS	SV-30-3	Cord Set for Motor #6355-GWS
SV-M-S/220	Skil Variable Speed Motor (For 220 volts/50 Hz)	SV-30-S/220	Cord Set (For 220/50 motor)
SV-M-SC7.2	Cordless Variable Speed Motor	SV-31-V-S	Trigger Switch Assembly for Motor #81596
SV-N-3	Complete Super-Vee Front Assy.	SV-31-3	Trigger Switch Assembly for Motor #6355-GWS
SV-51-1	Container Front (Serial #AS19205 thru #AS57101) (Inc. SV-51-A & 51-B-1)	SV-31-V-S/220	Trigger Switch Assembly (For 220/50 motor)
* SV-51-3	Container Front (Serial #AS57102 & Over) (Inc. SV-51-A-2 & 51-B-2)	SV-32	Felt Washer
SV-51-A/B-1	Set of 3 Thumb Nuts, Bolts & Nuts (Ser. #AS19205 thru AS57101)	SV-33	Armature for Motor #81596
SV-51-A/B-2	Set of 3 "U" Nuts and Flat Head Screws (Serial #AS57102 & Up)	SV-33-3	Armature for Motor #6355-GWS
SV-2-1	Container Back Discontinued (Replace w/ SV-51-3 & SV-02-2)	SV-33/220	Armature (For 220/50 motor)
SV-02-2	Container Back (Use with SV-51-3 Front Only)	SV-34	Field for Motor #81596
* SV-03	Grip Shield	SV-34-3	Field for Motor #6355-GWS
SV-04	Gear Case Body for Motor #81596	SV-34/220	Field (For 220/50 motor)
SV-05	Gear Case Cap for Motor #81596	SV-35	Spacer Washer
SV-05-1	Gear Case Cap for Direct Drive Unit (Same as SV-05-D)	SV-36-3	Brush Spring & Brush (2) for Motor #81596, Type 2
SV-06	Internal Ring Gear	SV-36-4	Integral Brush, Spring & Connector (2) for Motor #81596, Type 3
SV-07	Pinion and Spindle Gear Assembly for Motor #81596	SV-36-5	Brush & Holder Set for #6355-GWS Motor
SV-08	Screw for Direct Drive Unit	SV-36/220	Brush Spring and Brush (For 220/50 motor)
SV-09	Beveled Collar with 2 Set Screws	SV-37	Left & Right Handle Cover Set for Motor #81596
* SV-10	Spindle Sleeve (Includes SV-10-A)	SV-37-3	Left & Right Handle Cover Set for Motor #6355-GWS
SV-10-A	Spindle Sleeve Retaining Ring	SV-37-C	Set - Screws & Nuts for Skil Type 2 & 3 Handle Cover
SV-12	Spacer Washer	SV-38	Motor Housing for Motor #81596
SV-16	Thrust Bearing for Motor #6355-GWS	SV-39-3	Holder for Brush & Spring (For Type 3 Motors) (2)
SV-22	Machine Screws with Lock Washers (5)	B 7.2	Battery Pack
SV-23	Fillister Head Screws (4)	C 7.2	Battery Charger
* SV-25	Cable Grippers (2)	C 7.2A	Cigarette Lighter Battery Charger
* SV-26	Screws with Loctite (2)	PC	Plastic Cartridge
* SV-28	Front Collar w/Set Screws	SV-DECAL	Set of Safety Decals
		SV-VIDEO	Instructional Video
		MCC	Carrying Case

* Part Number SV-N-3 includes all * parts.

General Wire Spring Co.

SUPER-VEE SCHEMATIC DIAGRAM

When ordering Skil power unit parts, specify if Type 2 or Type 3. See name plate.



NOTE: Inset drawing shows modified container front and back supplied with Super-Vee's from Serial Number AS 19205 and over. Although the old style container front is still available, the old style back is not. The new style and the old style fronts and backs will not interchange. If you require a new container back, you must also order a new container front. (Part No. SV-51-3 and SV-02-2)