

# POWER-VEE

## Parts List and Diagrams

CAT. NO.	DESCRIPTION	CAT. NO.	DESCRIPTION
PV-M-S	Skil Variable Speed Motor (Model #81596)	PV-36-5	Brush, Spring & Connector (2) (Model #6355-GWS)
PV-M-S3	Skil Variable Speed Motor (Model #6355-GWS)	PV-37	Handle Covers (Model #81596)
PV-M-S/220	Skil Variable Speed Motor (for 220 volt/50 Hz)	PV-37-1	Handle Covers (Model #6355-GWS)
PV-N	Power-Vee Assembly--Disc.	PV-38	Motor Housing (Model #81596)
PV-N-1	Power-Vee Assembly--Disc.	PV-39-3	Holder for Brush & Spring (2) (Model #81596)
PV-N-2	Complete Power-Vee Front Assembly	PV-39-5	Holder for Brush & Spring (2) (Model #6355-GWS)
PV-51	Container Front (w/PV-51-A/B)	* PV-50	Bushing
* PV-51-1	Container Front--Gripperless	PV-61	Feed Housing
PV-51-A/B	"U" Nuts & Flat Head Screws (3)	PV-61-1	Feed Housing (Gripperless)
PV-02	Container Back	* PV-61-2	Feed Housing
* PV-03	Grip Shield	PV-62	Feed Lever
PV-04	Gear Case Body	PV-62-1	Feed Lever
PV-05	Gear Case Cap	* PV-62-2	Feed Lever w/Sleeve
PV-05-1	Container Hub for Direct Drive	PV-62-A	Sleeve for PV-62-2
PV-06	Internal Ring Gear	PV-63	Adjusting Knob
PV-07	Pinion & Spindle Gear Assy.	PV-64	Tension Spring
PV-08	Reverse-Thread Screw for Direct Drive Unit	* PV-64-2	Tension Spring
PV-09	Beveled Collar w/2 Set Screws	PV-65	Adjusting Nut
PV-10	Spindle Sleeve (Inc. PV-10-A)	PV-66	Adjusting Screw
* PV-10-1	Spindle Sleeve--Gripperless	PV-67	Set Screws & Washers (2)
PV-10-A	Spindle Sleeve Retaining Ring	* PV-68	Phillips Head Screw
PV-10-C	Snap Ring	* PV-69	Feed Lever Pin
PV-10-D	Spacer	PV-70	Inner Feed Body
PV-12	Thrust Washer	PV-71	Feed Roller Assembly (Includes PV-72, 73, 74, 75)
PV-16	Thrust Bearing for Motor (#6355-GWS)	* PV-71-2	Feed Roller Assembly (Includes PV-72-2, 73-2, 74-2)
PV-22	Machine Screws with Lock Washers (5)	PV-72	Carrier
PV-23	Fillister Head Screws (4)	PV-72-2	Carrier
PV-25	Cable Grippers (2)	PV-73	Feed Roller
PV-26	Screws with Loctite (2)	PV-73-2	Feed Roller
* PV-28	Collar with Set Screw	PV-74	Shaft Pin
* PV-29	Lock Screw	PV-74-2	Shaft Pin
PV-30-S	Cord Set (Model #81596)	PV-75	Guide Pin (Included with PV-71 only)
PV-30-3	Cord Set (Model #6355-GWS)	* PV-77	Bottom Feed Roller
PV-31-V-S	Variable Speed Trigger & Rev. Switch Assy. (#81596)	* PV-78	Bottom Roller Retaining Screw
PV-31-3	Variable Speed Trigger & Rev. Switch Assy. (#6355-GWS)	* PV-80	Feed Cover Plate
PV-32	Felt Washer	* PV-81	Plate Retaining Screws (3)
PV-33	Armature for Skil (#81596)	* PV-85	Feed Lever Retaining Latch, Screw & Washer
PV-33-1	Armature for Skil (#6355-GWS)	PV-700	Complete Feed Assembly
PV-34	Field for Skil (Model #81596)	PV-703	Set of Roller Assemblies (3 x PV-71)
PV-34-1	Field for Skil (Model #6355-GWS)	PV-703-2	Set of Roller Assemblies (PV 71-2, 2 x PV-77)
PV-35	Spacer Washer	PC	Plastic Cartridge
PV-36-4	Brush, Spring & Connector (2) (Model #81596)	MCC	Carrying Case

\* Part Number PV-N-2 includes all \* parts.

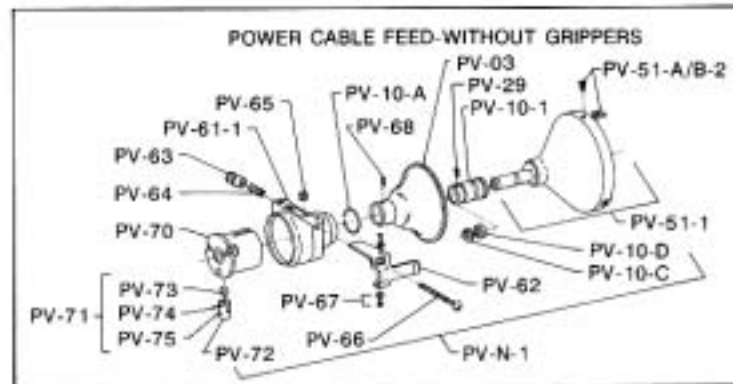
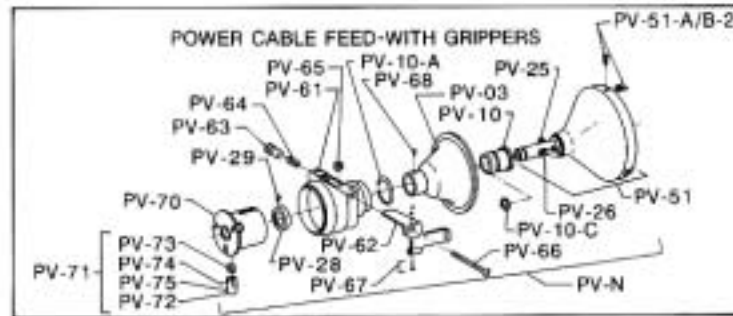
### General Wire Spring Co.

1101 Thompson Avenue

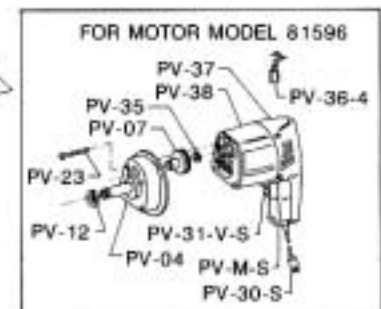
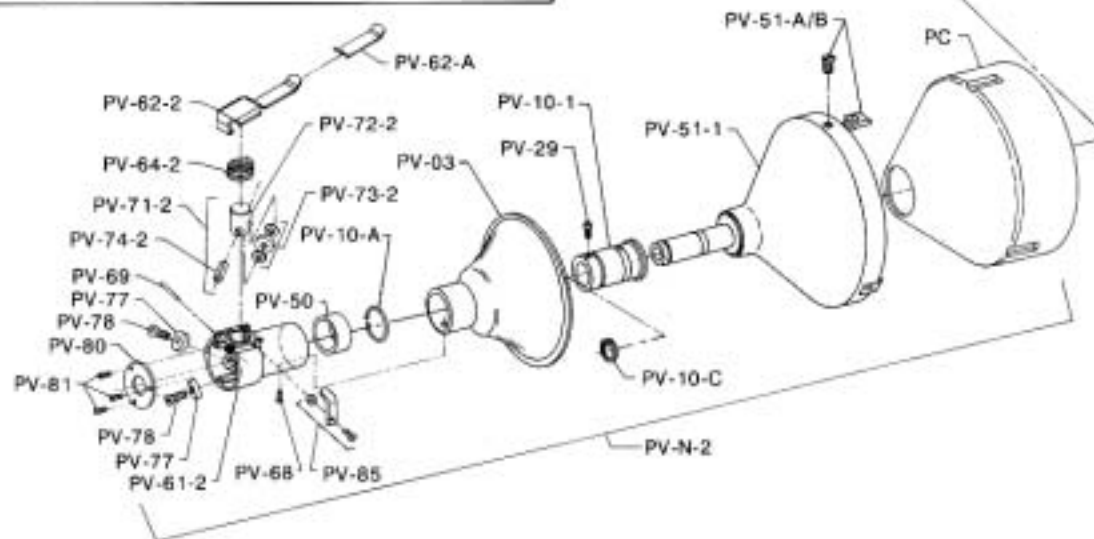
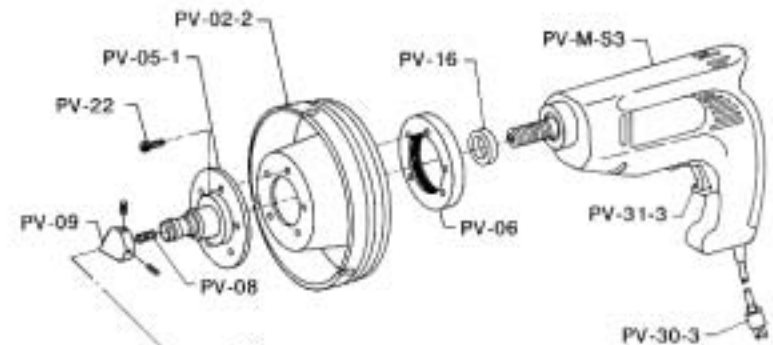
412/771-6300

McKees Rocks, PA 15136 U.S.A.

# POWER-VEE SCHEMATIC DIAGRAM



FOR MOTOR MODEL 6355 GWS



**IMPORTANT: When ordering, give Serial Number of Machine**