

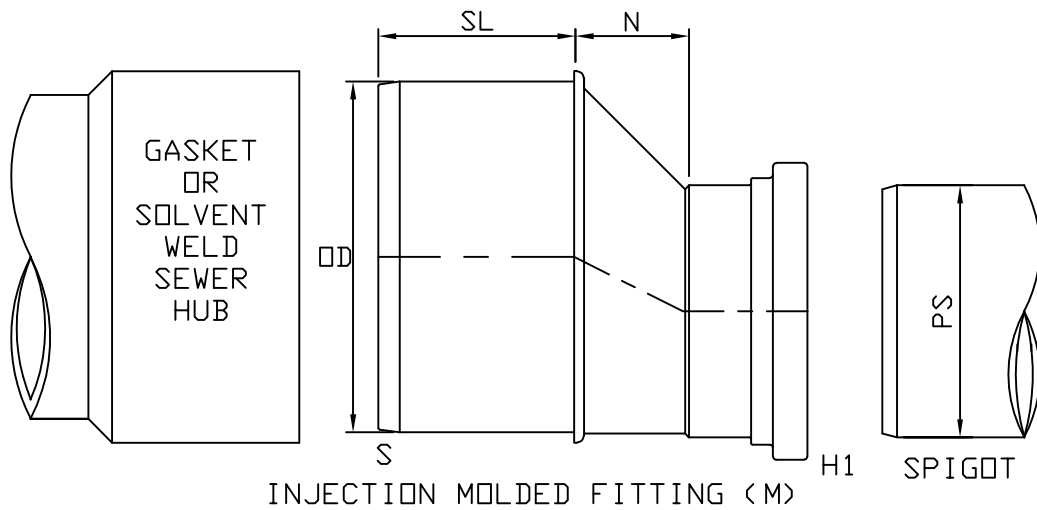
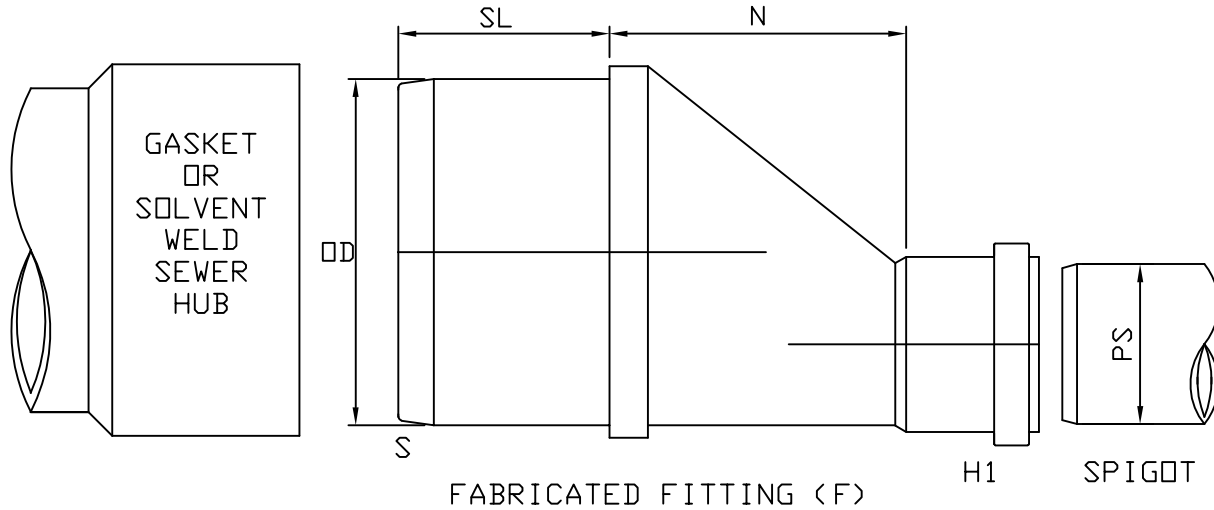


MULTI FITTINGS

LAYING LENGTH

ISSUE DATE: OCT 30/17
SUPERCEDES: MAR 11/05

INCREASER BUSHING – ECCENTRIC (SxG)



	SIZE SxH1	PART NUMBER	N REF	SL REF	OD	PS (SEWER)
M =	6x4	043237	2.000	3.500	6.275	4.215
M =	8x4	043256	4.000	4.125	8.400	4.215
M =	8x6	043257	2.125	4.125	8.400	6.275
F @	10x8	043270	9.500	8.000	10.500	8.400
F @	12x10	043274	10.500	7.500	12.500	10.500

Note: = Refer to Page G4 for Hub Detail, Type A
@ Refer to Page G5 for Hub Detail, Fabricated