



PF91335 Thermoplastic Utility Pump

Product Features

- Tough thermoplastic construction
- 1-1/4" NPT Discharge
- Clog resistant impeller
- 25' power supply cord
- Sleek design allows pump to fit in 6" opening
- 3/4" garden hose adapter included
- Can be used as a sump pump by adding a float switch
- Built-in thermal overload protection for safety
- Permanent split capacitor continuous duty motor
- 4.1 amps, 492 Watts
- 3450 RPM



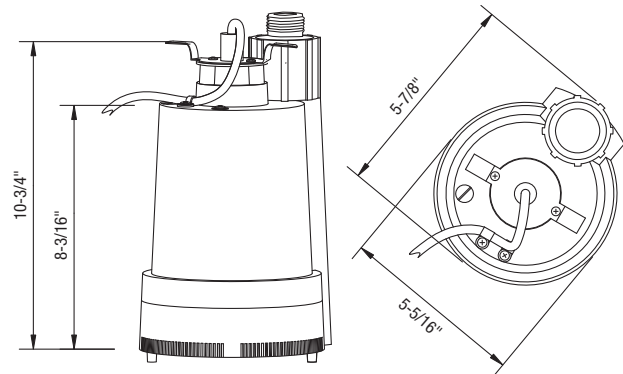
PF91335

Motor Performance

- 1/3HP 120 Volt AC (4.1 amps)

Performance Chart						
Lift	0'	5'	10'	15'	20'	25'
GPM	40	34	28	22	12	2
GPH	2400	2040	1680	1320	720	120

Product Specifications



* All measurements are nominal. Please verify before actual installation.

Warranty and Codes

This product comes complete with installation, operating, care and maintenance instructions. This PROFLO sump pump carries a 3 year warranty when installed in residential applications. See owners manual for warranty details.

This PROFLO sump pump carries a 3 year limited warranty. In an effort to continually improve our products, we will make design changes from time to time. We reserve the right to ship newly designed product to fill any order unless it is agreed in writing to do otherwise.

