



**REPAIR PARTS**  
R5-25GS05 R7



---

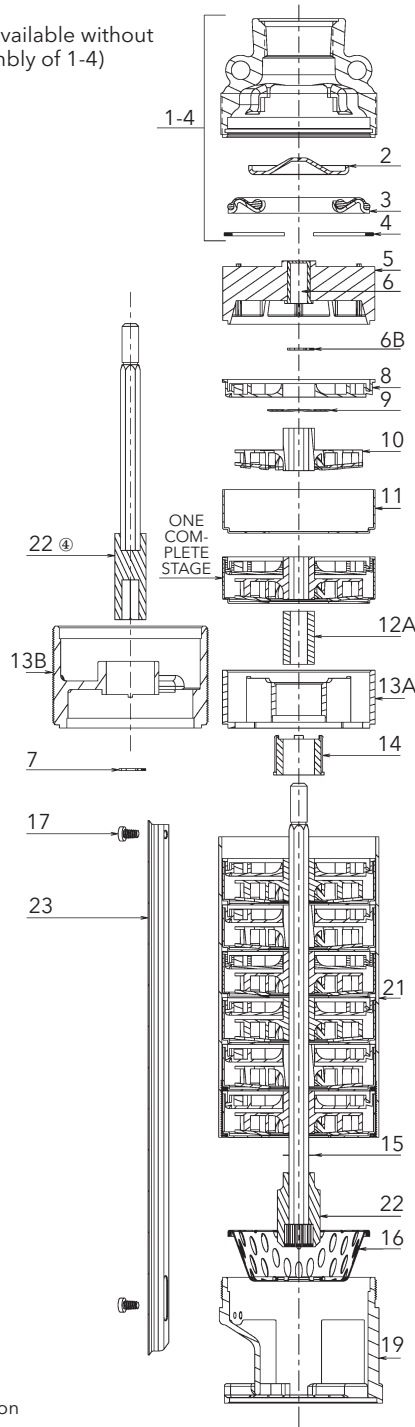
# GS 4" Submersible Pumps

REPAIR PARTS

PUMPS BUILT AFTER JULY 2005

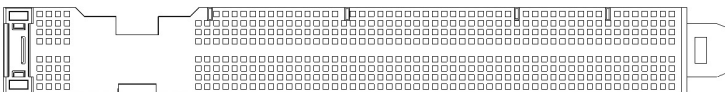


(not available without assembly of 1-4)



④ Intermediate Shaft Sleeve 7K1490 is now a pressed on part of the upper shaft assembly on split case pumps.

⑦ Optional wrap around inlet strainer - 7K2242



| Item No. | Description                      | Current Models                                     |        |        |          |          |        |        |        |        |
|----------|----------------------------------|--|--------|--------|----------|----------|--------|--------|--------|--------|
|          |                                  | Models with 1 Safety Loop and 4 Cable Guard Screws |        |        |          |          |        |        |        |        |
|          | NUMBER OF STAGES                 | HP   | 5GS    | 7GS    | 10GS A ⑥ | 10GS B ⑥ | 13GS   | 18GS   | 25GS   |        |
|          |                                  | 1/2R   | 9      | 7      | 5        | 8        | -      | -      | -      |        |
|          |                                  | 1/2  | 12     | 10     | 7        | 10       | 5      | -      | -      |        |
|          |                                  | 3/4  | 15     | 13     | 10       | 14       | 7      | 6      | -      |        |
|          |                                  | 1  | 20     | 17     | 12       | 16       | 10     | 8      | 7      |        |
|          |                                  | 1 1/2  | 26 ①   | 22     | 17       | 17       | 12     | 11     | 9      |        |
|          |                                  | 2  | 33 ②   | 27 ①   | 20       | 20       | 17     | 14     | 11     |        |
|          |                                  | 3  | -      | 34 ②   | 27 ②     | 27 ②     | 21     | 19     | 15     |        |
|          |                                  | 5  | -      | -      | 42 ②     | 42 ②     | -      | 30 ②   | 26 ②   |        |
| 1-4      |                                  | Discharge head assembly                            | 7K1326 | 7K1326 | 7K1326   | 7K1326   | 7K1326 | 7K1326 | 7K1326 |        |
| 2        | Check valve poppet               | 7K1366   | 7K1366 | 7K1366 | 7K1366   | 7K1366   | 7K1366 | 7K1366 |        |        |
| 3        | C.V. seal/seat assembly          | 7K2123   | 7K2123 | 7K2123 | 7K2123   | 7K2123   | 7K2123 | 7K2123 |        |        |
| 4        | C.V. retaining ring              | 7K1364   | 7K1364 | 7K1364 | 7K1364   | 7K1364   | 7K1364 | 7K1364 |        |        |
| 5        | Bearing spider - upper           | 7K1372   | 7K1372 | 7K1372 | 7K1372   | 7K1372   | 7K1372 | 7K1372 |        |        |
| 6        | Bearing                          | 7K2739   | 7K2739 | 7K2739 | 7K2739   | 7K2739   | 7K2739 | 7K2739 |        |        |
| 6B       | Klip Ring                        | 7K817  | 7K817  | 7K817  | 7K817    | 7K817    | 7K817  | 7K817  |        |        |
| 7        | Shaft retaining ring - upper     | 7K817  | 7K817  | 7K817  | 7K817    | 7K817    | 7K817  | 7K817  |        |        |
| 8        | Diffuser                         | 7K1750   | 7K995  | 7K17   | 7K17     | 7K17     | 7K20   | 7K20   |        |        |
| 9        | Uphrust washer                   | 7K15   | 7K15   | 7K15   | 7K15     | 7K15     | 7K15   | 7K15   |        |        |
| 10A      | Impeller                         | 1/2 - 1 1/2  | 7K1837 | 7K1343 | -        | -        | 7K16   | 7K1334 | 7K19   |        |
|          |                                  | 2 & 3  | -      | 7K994  | -        | -        | -      | -      | -      |        |
| 10B      | Impeller - 10GS                  | 1/2 - 1  | -      | -      | 7K35     | 7K3449   | -      | -      | -      |        |
|          |                                  | 1 1/2 - 5  | -      | -      | -        | 7K35     | -      | -      | -      |        |
| 11       | Bowl                             | 7K1838   | 7K478  | 7K478  | 7K478    | 7K478    | 7K858  | 7K18   |        |        |
| 12A ①    | Intermediate shaft sleeve        | 7K209  | -      | 7K209  | 7K209    | -        | 7K209  | 7K209  |        |        |
| 12B ②    | Intermediate shaft sleeve        | ④  | ④      | ④      | ④        | -        | ④      | -      |        |        |
| 13A ①    | Intermediate bearing spider      | 7K1371   | -      | -      | -        | -        | -      | -      |        |        |
| 13B ②    | Intermediate bearing spider      | 7K1989   | 7K1989 | 7K1989 | 7K1989   | -        | 7K1989 | 7K1989 |        |        |
| 14       | Mid bearing for 12A & 12B        | 7K1369   | 7K1369 | 7K1369 | 7K1369   | -        | 7K1369 | 7K1369 |        |        |
| 15       | Shim                             | 7K155  | 7K155  | 7K155  | 7K155    | 7K155    | 7K155  | 7K155  |        |        |
|          |                                  | 7K1336   | 7K1336 | 7K1336 | 7K1336   | 7K1336   | 7K1336 | 7K1336 |        |        |
| 16 ⑦     | Inlet strainer                   | 7K1370   |        |        |          |          |        |        |        |        |
| 17       | Screws - cable guard             | 13K91  | 13K91  | 13K91  | 13K91    | 13K91    | 13K91  | 13K91  |        |        |
| 18       | Hex nut (not shown)              | 13K114   | 13K114 | 13K114 | 13K114   | 13K114   | 13K114 | 13K114 |        |        |
| 19       | Motor Adapter                    | 7K1363   | 7K1363 | 7K1363 | 7K1363   | 7K1363   | 7K1363 | 7K1363 |        |        |
| 20       | Motor lead insulator (not shown) | 7K1023   | 7K1023 | 7K1023 | 7K1023   | 7K1023   | 7K1023 | 7K1023 |        |        |
| 21       | Casings                          | 1/2R   | 7K2682 | 7K2689 | 7K3451   | 7K3451   | -      | -      | -      |        |
|          |                                  | 1/2  | 7K2673 | 7K2690 | 7K2699   | 7K1925   | 7K2697 | -      | -      |        |
|          |                                  | 3/4  | 7K2674 | 7K2675 | 7K3452   | 7K3452   | 7K2698 | 7K2818 | -      |        |
|          |                                  | 1  | 7K1960 | 7K2815 | 7K3453   | 7K3453   | 7K2699 | 7K2699 | 7K2715 |        |
|          |                                  | Upper  | 1 1/2  | 7K2684 | 7K1953   | 7K2700   | 7K1944 | 7K2673 | 7K1940 | 7K2716 |
|          |                                  |  |        | -      | -        | -        | -      | -      | -      | -      |
|          |                                  | Lower  | 2      | 7K2685 | 7K2692   | 7K1960   | 7K1949 | 7K2700 | 7K1947 | 7K2674 |
|          |                                  |  |        | 7K2686 | -        | -        | -      | -      | -      | -      |
|          |                                  | Upper  | 3      | -      | 7K2693   | 7K2701   | 7K1946 | 7K2215 | 7K2852 | 7K1971 |
|          |                                  |  |        | -      | 7K2694   | 7K2702   | 7K1943 | -      | -      | -      |
| Lower    | 5                                | -  | -      | 7K2461 | 7K1971   | -        | 7K2710 | 7K1738 |        |        |
|          |                                  | -  | -      | 7K2687 | 7K1936   | -        | 7K2711 | 7K2718 |        |        |
| 22       | Shaft and coupling assemblies    | 1/2R   | 7K1033 | 7K1361 | 7K1358   | 7K1483   | -      | -      | -      |        |
|          |                                  | 1/2  | 7K1377 | 7K1376 | 7K1360   | 7K1375   | 7K1358 | -      | -      |        |
|          |                                  | 3/4  | 7K1381 | 7K1380 | 7K1375   | 7K1567   | 7K1360 | 7K1359 | -      |        |
|          |                                  | 1  | 7K1458 | 7K1384 | 7K1377   | 7K1484   | 7K1375 | 7K1375 | 7K1374 |        |
|          |                                  | Upper  | 1 1/2  | 7K1839 | 7K1389   | 7K1457   | 7K1457 | 7K1377 | 7K1380 | 7K1378 |
|          |                                  |  |        | -      | -        | -        | -      | -      | -      | -      |
|          |                                  | Lower  | 2      | 7K1877 | 7K1391   | 7K1458   | 7K1458 | 7K1457 | 7K1382 | 7K1381 |
|          |                                  |  |        | 7K1879 | -        | -        | -      | -      | -      | -      |
|          |                                  | Upper  | 3      | -      | 7K1462   | 7K1878   | 7K1878 | 7K1386 | 7K1387 | 7K1385 |
|          |                                  |  |        | -      | 7K1213   | 7K1880   | 7K1880 | -      | -      | -      |
| Lower    | 5                                | -  | -      | 7K1393 | 7K1393   | -        | 7K1736 | 7K2212 |        |        |
|          |                                  | -  | -      | 7K1221 | 7K1221   | -        | 7K1737 | 7K2211 |        |        |
| 23       | Cable guards                     | 1/2R   | 7K1885 | 7K1883 | 7K1881   | 7K3457   | -      | -      | -      |        |
|          |                                  | 1/2  | 7K1888 | 7K1886 | 7K1883   | 7K1886   | 7K1881 | -      | -      |        |
|          |                                  | 3/4  | 7K1890 | 7K1889 | 7K1886   | 7K3458   | 7K1883 | 7K1883 | -      |        |
|          |                                  | 1  | 7K1917 | 7K1916 | 7K1888   | 7K3459   | 7K1886 | 7K1886 | 7K1886 |        |
|          |                                  | 1 1/2  | 7K1922 | 7K1919 | 7K1916   | 7K1916   | 7K1888 | 7K1889 | 7K1888 |        |
|          |                                  | 2  | 7K1927 | 7K1924 | 7K1917   | 7K1917   | 7K1919 | 7K1916 | 7K1890 |        |
|          |                                  | 3  | -      | 7K1929 | 7K1923   | 7K1923   | 7K1918 | 7K1920 | 7K1917 |        |
|          |                                  | 5  | -      | -      | 7K1931   | 7K1931   | -      | 7K1930 | 7K1929 |        |

① Model has one intermediate bearing spider, order bearing and spider separately.

② Model has one intermediate bearing spider, a split case design and upper and lower shaft assemblies.

④ Intermediate Shaft Sleeve 7K1490 is now a pressed on part of the upper shaft assembly on split case pumps.

⑤ Effective January, 2004 the sleeve is part of the shaft and coupling assembly.

⑥ Pumps ordered prior to July 2017 use 10GS A, pumps ordered after use 10GS B

# Xylem |'zīləm|

- 1) The tissue in plants that brings water upward from the roots;
- 2) a leading global water technology company.

We're a global team unified in a common purpose: creating advanced technology solutions to the world's water challenges. Developing new technologies that will improve the way water is used, conserved, and re-used in the future is central to our work. Our products and services move, treat, analyze, monitor and return water to the environment, in public utility, industrial, residential and commercial building services settings. Xylem also provides a leading portfolio of smart metering, network technologies and advanced analytics solutions for water, electric and gas utilities. In more than 150 countries, we have strong, long-standing relationships with customers who know us for our powerful combination of leading product brands and applications expertise with a strong focus on developing comprehensive, sustainable solutions.

**For more information on how Xylem can help you, go to [www.xylem.com](http://www.xylem.com)**



Xylem Inc.  
2881 East Bayard Street Ext., Suite A  
Seneca Falls, NY 13148  
Phone: (866) 325-4210  
Fax: (888) 322-5877  
[www.xylem.com/goulds](http://www.xylem.com/goulds)

Goulds is a registered trademark of Goulds Pumps, Inc. and is used under license.  
© 2020 Xylem Inc. R5-25GS05 R7 August 2020