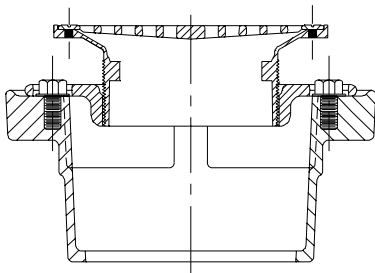
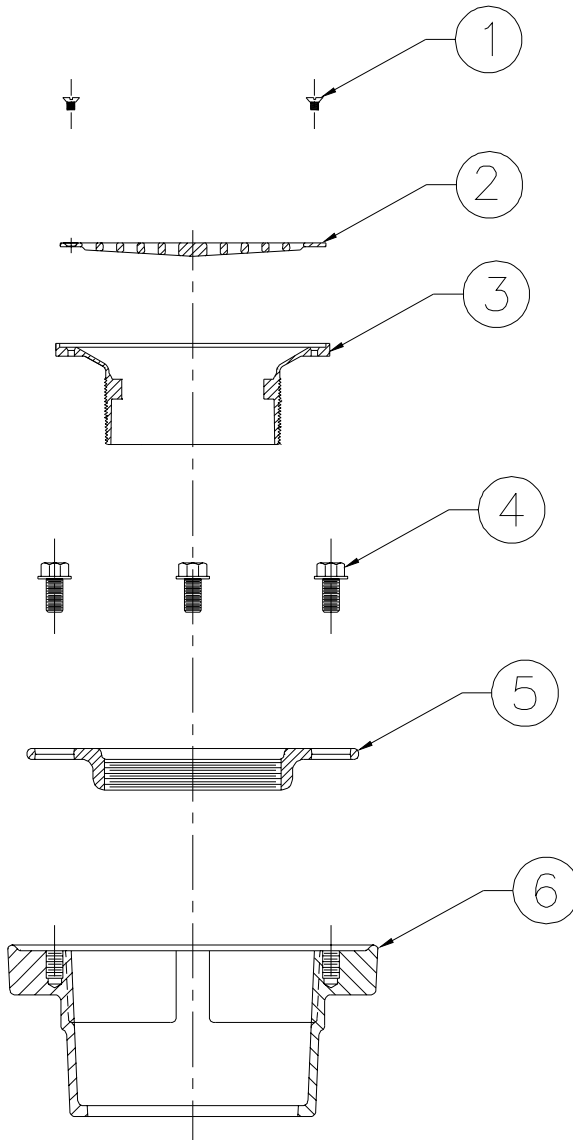




Z415B

BODY ASSEMBLY W/ "TYPE B" 6" [152] STRAINER EXPLODED PARTS LIST



Z415B PARTS LIST

Item	Name	Part Number	Quan.
1	#8-32 Mach. Screw	14855	3
2	6" [152] Strainer	46234	1
3	"Type B" Head	33161	1
4	3/8 Cap Screw	50535	4
5	Clamping Collar	47047	1
6	Body	55837	1

Form # FD28 Date: 10/12/04 C.N. No. 92656 Rev. B

ZURN INDUSTRIES, INC. ♦ SPECIFICATION DRAINAGE OPERATION ♦ 1801 Pittsburgh Ave. ♦ Erie, PA 16514

Phone: 814/455-0921 ♦ Fax: 814/454-7929 ♦ World Wide Web: www.zurn.com

In Canada: ZURN INDUSTRIES LIMITED ♦ 3544 Nashua Drive ♦ Mississauga, Ontario L4V1L2 ♦ Phone: 905/405-8272 Fax: 905/405-1292