



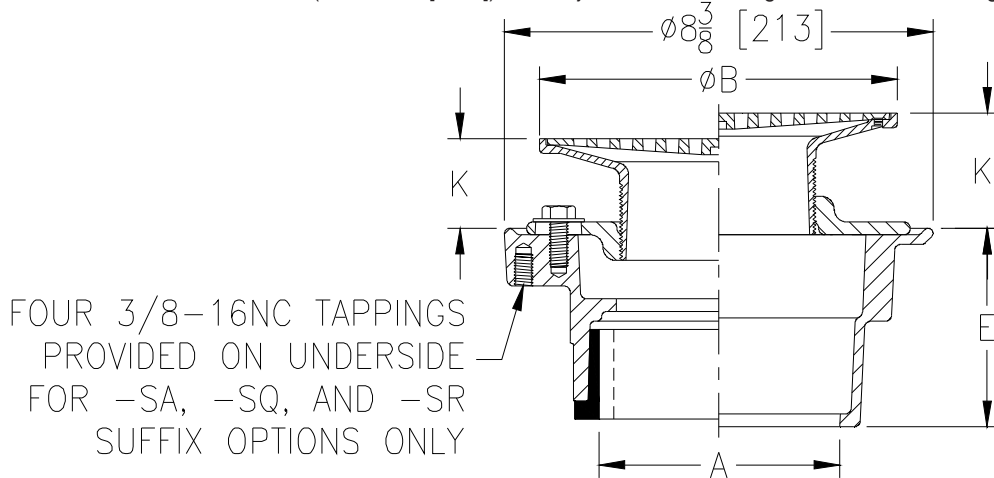
Z415B

BODY ASSEMBY W/ "TYPE B" STRAINER

SPECIFICATION SHEET

TAG _____

Dimensional Data (inches and [mm]) are Subject to Manufacturing Tolerances and Change Without Notice



Dimensions in In [mm]						Approx. Wt. Lbs. [kg]	Strainer Open Area Sq. In. [cm ²]
A Pipe Size	B Strainer Dia.	K		K'			
		Min.	Max.	Min.	Max.		
2,3 [51,76]	5 [127]	1 [25]	1-1/2 [38]	1-3/32 [28]	2-1/4 [57]	11 [5]	6-1/4 [40]
2,3,4 [51,76,102]	6 [152]	1 [25]	1-25/32 [45]	1-13/32 [36]	2-17/32 [64]	13 [6]	9 [58]
2,3,4 [51,76,102]	7 [178]	1 [25]	2-1/8 [54]	1-23/32 [44]	2-7/8 [73]	14 [6]	12 [77]
3,4 [76,102]	8 [203]	1-5/32 [30]	2-1/8 [54]	1-3/4 [44]	2-7/8 [73]	16 [7]	19 [123]
6 [152]	8 [203]	1-5/32 [30]	2-1/8 [54]	1-3/4 [44]	2-7/8 [73]	18 [8]	19 [123]
6 [152]	10 [254]	1-7/16 [37]	2-1/2 [64]	2 [51]	3-1/4 [83]	22 [10]	23 [148]

ENGINEERING SPECIFICATION: ZURNZN415B

Floor and shower drain, Dura-Coated cast iron body with bottom outlet, combination invertible membrane clamp and adjustable collar with seepage slots and "TYPE B" polished nickel bronze, light-duty strainer.

OPTIONS (Check/specify appropriate options)

PIPE SIZE

- 2,3,4 [51,76,102]
- 2 [51]
- 3 [76]
- 4 [102]
- 6 [152]
- 2,3,4 [51,76,102]
- 2,3,4 [51,76,102]

(Specify size/type) OUTLET

- _____ IC Inside Caulk
- _____ IP Threaded
- _____ IP Threaded
- _____ IP Threaded
- _____ IP Threaded
- _____ NH No-Hub
- _____ NL Neo-Loc

'E' BODY HT. DIM.

- 4-3/16 [106]
- 2-7/16 [62]
- 2-3/4 [70]
- 2-13/16 [71]
- 2-7/8 [73]
- 3-13/16 [97]
- 3-7/8 [98]

PREFIXES

- ___ ZB D.C.C.I. Body Assembly w/ Polished Bronze Top
- ___ ZN D.C.C.I. Body Assembly w/ Polished Nickel Bronze Top*

SUFFIXES

- ___ -AR Acid Resisting Epoxy Coated Cast Iron
- ___ -CP Chrome-Plated Bronze Top
- ___ -G Galvanized Cast Iron
- ___ -HD Heavy-Duty Slotted Grate (ZN 5,6 [127,152] Sizes Only)
- ___ -OF Oval Funnel (Z329-7) (6,7,8,10 [152,178,203,254] Strainers Only)
- ___ -P Trap Primer Connection (Specify 1/2 [13] or 3/4 [19])
- ___ -PC Protective Cover
- ___ -SA Stabilizer Assembly (See Z1035)
- ___ -SQ Stabilizer Q-Deck (See Z1035-Q)
- ___ -SR Stabilizer Ring
- ___ -TC Neo-Loc Test Cap Gasket (2,3,4 [51,76,102] NL Outlet Only)
- ___ -U 1-3 [25-76] High Extension Adapter
- ___ -V Backwater Valve
- ___ -VP Vandal-Proof Secured Top
- ___ -Y Sediment Bucket
- ___ -4 4 [102] Diameter Funnel (Z328)
- ___ -90 90° Threaded Side Outlet Body Assembly (2,3 [51,76] Only)

* Regularly furnished unless otherwise specified.