

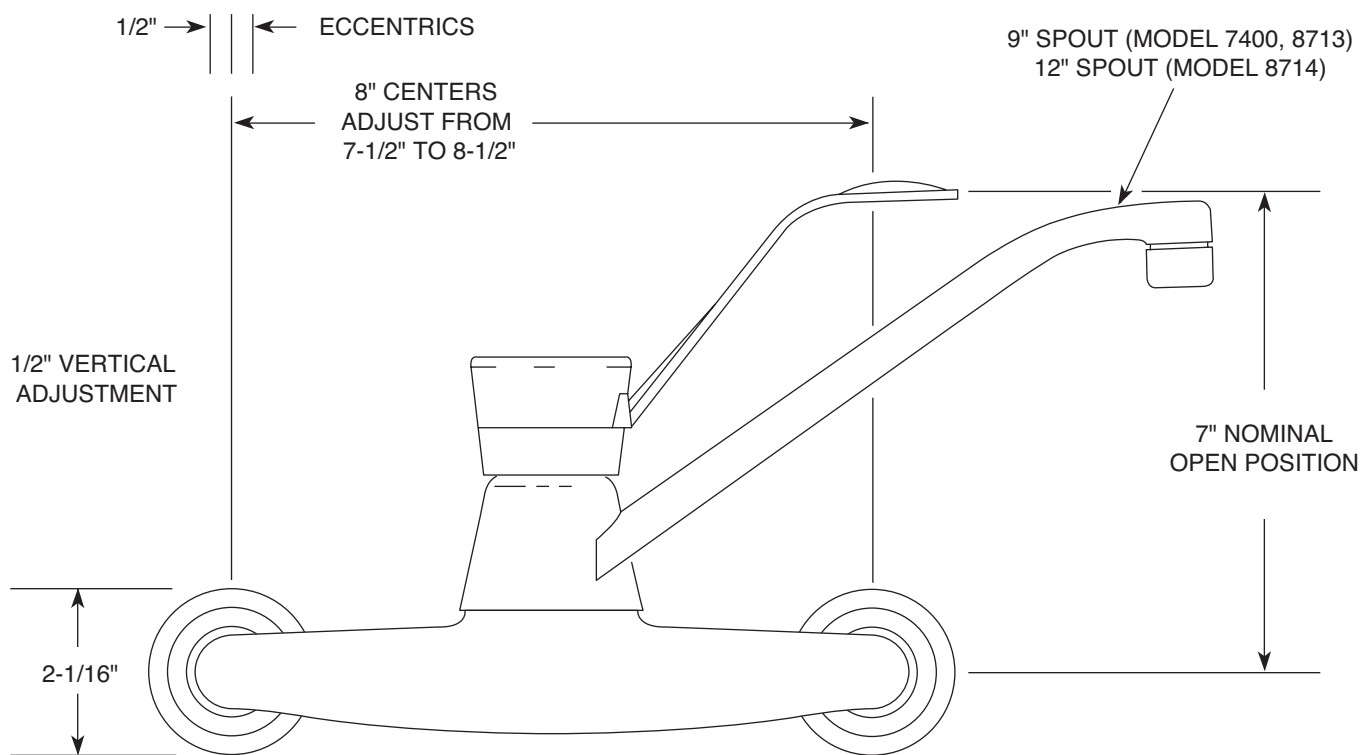


INSTALLATION INSTRUCTIONS

THESE INSTRUCTIONS MUST BE LEFT WITH HOMEOWNER

KITCHEN WALL MOUNT FAUCETS Models 8713, 8714

Measurements

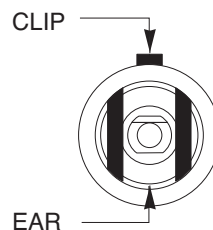


Complies with ASME A112.18.1M and CSA B125

CAUTION:

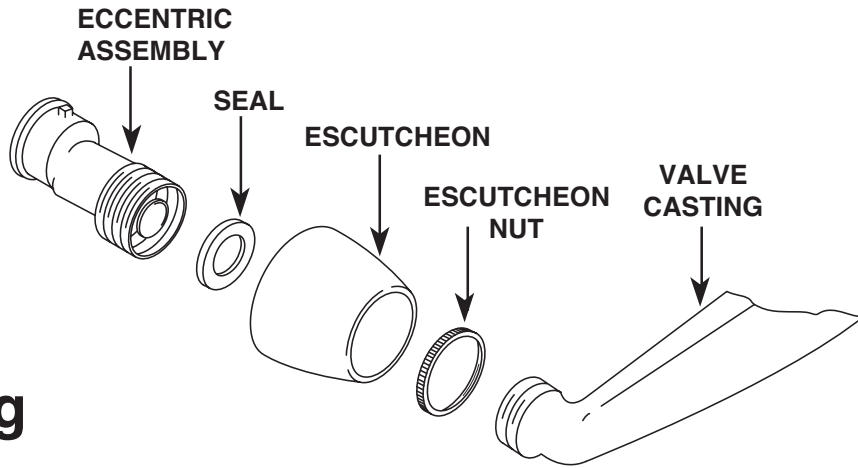
Always turn water off before disassembling the valve. Open valve handle to alleviate water pressure to insure that complete water shut-off has been accomplished.

Before turning water on during either rough-in or trim-out, make sure that cartridge retainer clip is in place. The cartridge and retainer clip were properly installed and tested before leaving the factory. Although it is unlikely, it is nevertheless possible that through the handling of the valve by any number of persons the retainer clip may not be properly installed. This should be carefully checked at time of rough-in and trim-out. If the retainer clip is not properly installed, water pressure could force the cartridge out of the casting. Personal injury or water damage to the premises could result.



Installation

1. Apply pipe joint compound or thread seal tape on the supply threads.
2. Screw eccentric assembly on the supply threads.
3. With escutcheon nut and escutcheon on valve casting, thread eccentric assembly onto valve threads making sure seal is in place as illustrated. Tighten by using wrench on flats of eccentric assembly.
4. Put escutcheon into place and hand tighten escutcheon nut onto the eccentric assembly.



Flushing

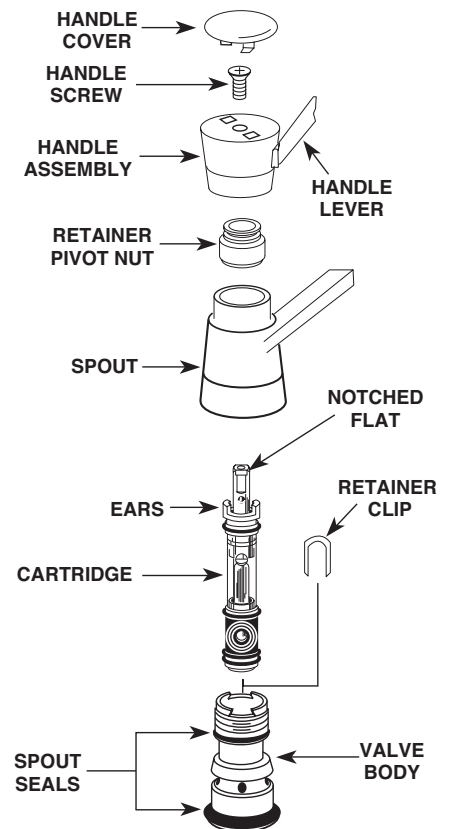
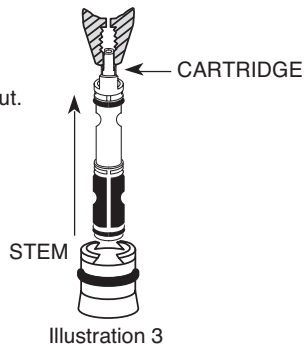
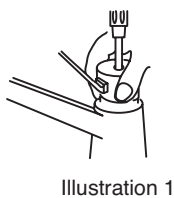
IMPORTANT:

Pipe chips, sand, stones and other solids found in new and renovated plumbing can damage the sealing surface of the faucet cartridge and cause a leak. To avoid damage, **DO NOT OPERATE VALVE** until you have followed these instructions:

- a. Make sure all water supplies are **OFF**. Turn the faucet on to relieve pressure and insure complete shut-off.
- b. Remove handle parts and cartridge and spout (see "Disassembly" on page 3 for detailed instructions).
- c. At the supplies, slowly turn both hot and cold water on and thoroughly flush out the body and lines.
- d. Turn off supplies and reassemble spout, cartridge and handle parts (see "Reassembly").
- e. Turn on supplies and check system for leaks.

Disassembly

1. Turn "**OFF**" both hot and cold water supplies. Turn faucet on to relieve pressure and insure complete shut-off.. Pull handle cap up and off (it snaps into place). Remove the handle screw, (Illustration 1).
2. Push the cartridge stem down and then lift and tilt handle lever and handle body off.
3. Remove retainer pivot nut.
4. Lift and twist spout off.
5. Pry out retainer clip with screwdriver, (Illustration 2).
6. Use cartridge twisting tool (furnished with replacement cartridge) and rotate cartridge between 11 and 1 o'clock.
7. Grasp cartridge stem with pliers, (Illustration 3). Pull cartridge out.



Reassembly

1. With cartridge stem **UP**, insert cartridge with ears aligned front to back (illustration 4).
2. Push the cartridge down by the ears (Illustration 5) until the top of the ears are flush with the top of the body.
3. Turn notched flat of cartridge stem toward front of sink. (Note: for cross piping installations, see instructions on back page).
4. Replace the clip all the way (Illustration 6).
5. Replace spout. Push down until it nearly touches the faucet escutcheon.
6. Screw on retainer pivot nut. **DO NOT CROSS THREAD.** Tighten firmly.
7. Press cartridge stem down. Holding handle **UP**, (Illustration 7), hook handle ring (inside the handle body) into groove on the retainer pivot nut.
8. Swing handle back and forth until it drops down into place.
9. Replace handle screw. Tighten securely. Push handle cap down until it snaps into place.

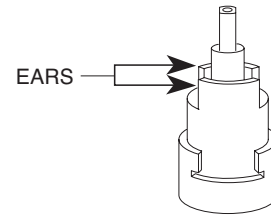


Illustration 4

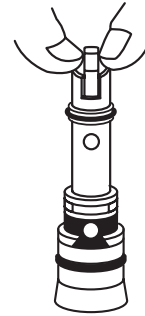


Illustration 5

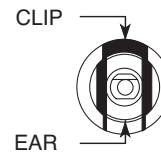


Illustration 6



Illustration 7

To Eliminate Cross-Piping On Back-To-Back Installations, or To Correct Reversed Rough-In Where Hot and Cold Positions Are Reversed:

Remove handle cap, handle screw and handle assembly (see "Disassembly" instructions). Turn valve stem around so that the notched flat is turned one half turn or 180°. Re-install handle parts (see "Reassembly" instructions).

Maintenance

Your new faucet will give good service for an extended period of time. Should foreign materials in the system affect its operation, routine repairs can be easily made. If your faucet drips from the spout end or leaks up through the handle, follow "Disassembly" instructions and replace with the cartridge listed in the Replacement Parts List, on page 4. If your faucet leaks from either the top or bottom of the spout hub, use the Spout Seal Kit (listed in the Replacement Parts List) and replace. Re-assemble, following "Reassembly" instructions. For proper water flow, aerator must be free of foreign particles;. If flow is weak or irregular, unscrew aerator, clean and replace.

Consumer Information

Faucets made of leaded brass alloys may contribute small amounts of lead to water that is allowed to stand in contact with the brass. The amount of lead contributed by any faucet is highest when the faucet is new. The following steps may reduce potential exposure to lead from faucets and other parts of the plumbing system:

- Always run the water for a few seconds prior to use for drinking or cooking.
- Use only cold water for drinking or cooking.
- If you wish to flush the entire plumbing system of water that has been standing in the pipes or other fittings, run the cold water until the temperature of the water drops, indicating water coming from the outside main.
- If you are concerned about lead in your water, have your water tested by a certified laboratory in your area.



HELPLINE:

For answers to any product, installation, replacement parts or warranty questions, call our consumer helplines.

In the U.S., toll free:

1-800-321-6636

In Canada call:

Toronto, 905-829-3400

Rest of Canada, 1-800-465-6130



Moen Incorporated 25300 Al Moen Drive, North Olmsted, OH 44070-8022, U.S.A.

In Canada:

Moen Inc. 2816 Bristol Circle, Oakville, Ontario L6H5S7