

## DESCRIPTION

- Chrome plated brass construction
- Supplied with 9" spout
- 1/2" IPS connections
- Supplied with vandal resistant screws

## OPERATION

- Pull-on/Push-off lever style handle with hot and cold color indicators
- Temperature controlled by 180° arc of handle travel

## FLOW

- Aerator is limited to 2.2 gpm max (8.3 L/min)

## CARTRIDGE

- 1225 cartridge design
- Nonmetallic/nonferrous and stainless steel material

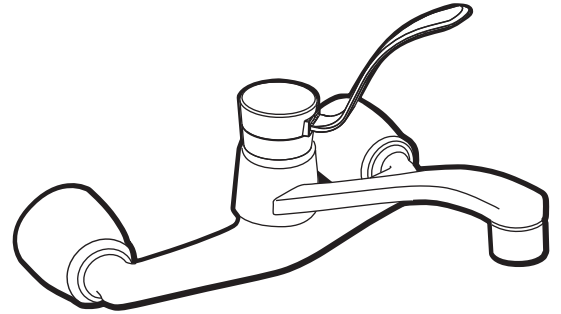
## STANDARDS

- Third party certified by CSA to meet CSA B125.1, ASME A112.18.1, and all applicable specifications referenced therein and complies with the requirements of ANSI A117.1, NSF 61/9, and California Proposition 65.
- Contains no more than 0.25% weighted average lead content

- ADA  for lever handle

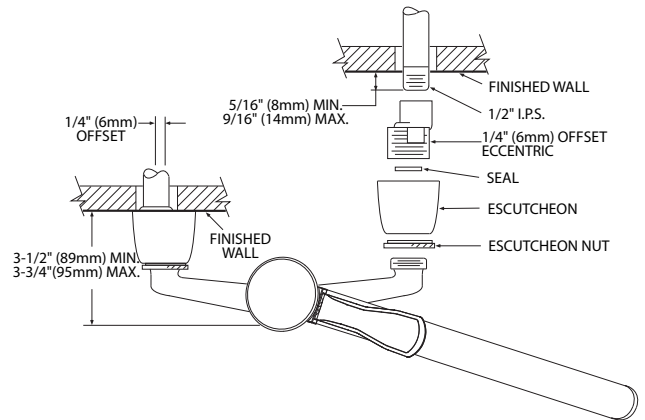
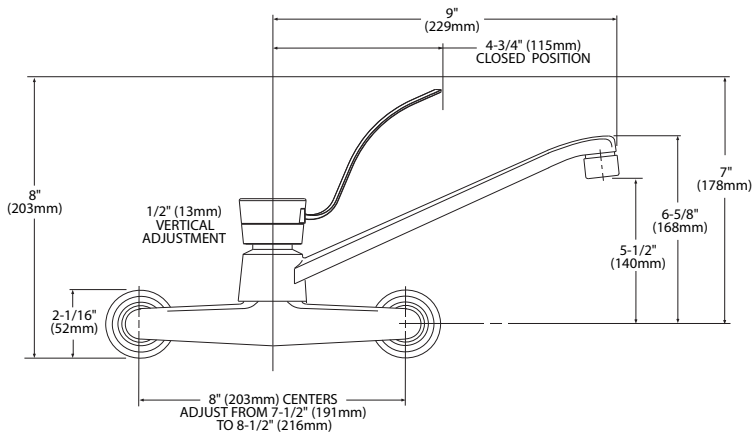
## WARRANTY

- Warranted for 5 years against material or manufacturing defects



**Single-Handle Wall Mount Kitchen Faucet**

**Model: 8713**



## CRITICAL DIMENSIONS

(DO NOT SCALE)