



# ACCESS DOORS

**MODEL:  
60-HAD  
65-CAD**

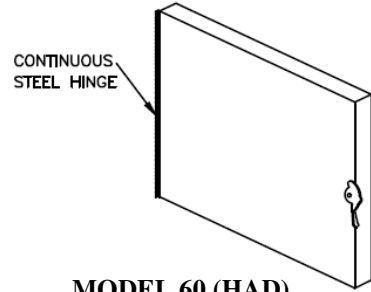


**60-HAD**

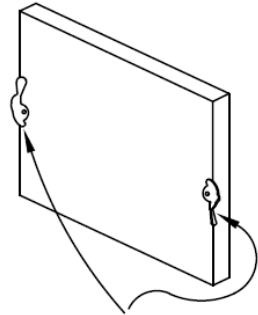


**65-CAD**

Standard models are 1" thick hinged or double cam lock insulated doors.



**MODEL 60 (HAD)**  
Hinged 1" access door with insulation

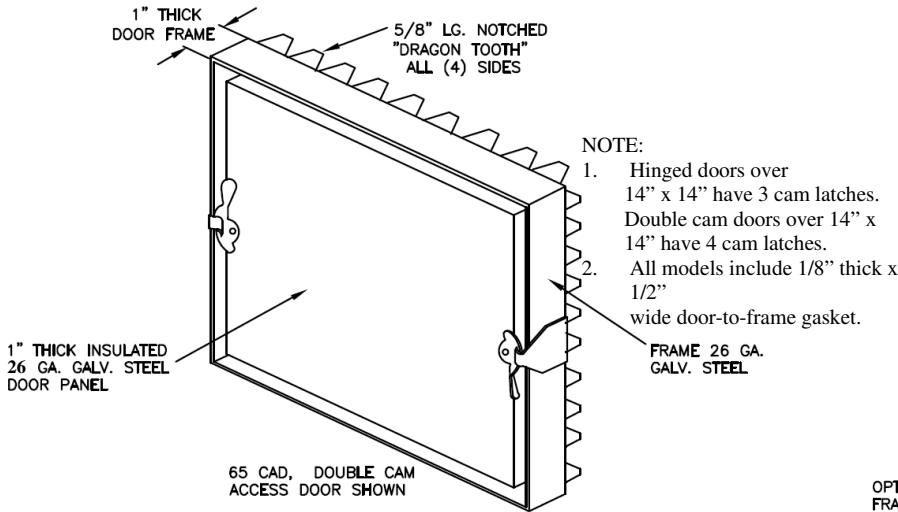


**MODEL 65 (CAD)**  
Double cam 1" access door with insulation

### Standard Construction

- Frame:** 26 Ga. galvanized steel
- Door Panel:** 26 Ga. galvanized steel
- Finish:** Galvanized steel

1" Thick hinged access door with flange  
 Frame 22 Ga. galvanized steel  
 5/8" Long notched knock-over edges standard  
 1/8" X 1/2" Wide door to frame standard gasketing



### OPTIONS:

- 1" extension for 1" thick duct board ducting
- 1-1/2" extension for 1-1/2" thick duct board ducting
- Double gasket for frame to duct gasket
- Aluminum or stainless steel

