

## Installation Manual

7212000F

# Automatic Drain Pumps

## Models



### 404

#### 1/3 hp Residential 115V

- 404
- 404/A
  - with Alarm
- 404/A-EYE
  - with NightEye® Alarm
- 404CV
  - with Check Valve
- 404CV/A
  - with Check Valve and Alarm
- 404CV/A-EYE
  - with Check Valve and NightEye® Alarm
- 404L
  - with Larger Ports
- 404L/A
  - with Larger Ports and Alarm
- 404L/A-EYE
  - with Larger Ports and NightEye® Alarm



### 405

#### 1/2 hp Commercial High Temp 115V

- 405
- 405HV
  - High Voltage 230V
- 405/A
  - with Alarm
- 405/A-EYE
  - with NightEye® Alarm





7000 Apple Tree Avenue  
Bergen, NY 14416  
ph: 800-543-2550  
fax: 585-494-1839  
www.libertypumps.com



# Contents

<i>Safety Precautions</i> .....	3
<i>Dimensions</i> .....	4
<i>Application</i> .....	4
<i>Installation</i> .....	4
<i>Operation</i> .....	5
<i>Maintenance and Troubleshooting</i> .....	5
<i>Warranty</i> .....	8

## Safety Guidelines

	This safety alert symbol is used in the manual and on the pump to alert of potential risk for serious injury or death.
	This safety alert symbol identifies <b>risk of electric shock</b> . It is accompanied with an instruction intended to minimize potential risk of electric shock.
	This safety alert symbol identifies <b>risk of fire</b> . It is accompanied with an instruction intended to minimize potential risk of fire.
	This safety alert symbol identifies <b>risk of serious injury or death</b> . It is accompanied with an instruction intended to minimize potential risk of injury or death.
<b>⚠ DANGER</b>	Warns of hazards, which if not avoided, <b>will</b> result in serious injury or death.
<b>⚠ WARNING</b>	Warns of hazards, which if not avoided, <b>could</b> result in serious injury or death.
<b>⚠ CAUTION</b>	Warns of hazards, which if not avoided, could result in minor or moderate injury.
<b>NOTICE</b>	Signals an important instruction related to the pump. Failure to follow these instructions could result in pump failure or property damage.

<b>⚠ WARNING</b>	<b>Read every supplied manual before using pump system. Follow all the safety instructions in manual(s) and on the pump. Failure to do so could result in serious injury or death.</b>
<b>NOTICE</b>	<b>Installer: manual must remain with owner or system operator/maintainer.</b>
<p>Record information from pump nameplate:</p> <p>Keep this manual handy for future reference.</p> <p>For replacement manual, visit <a href="http://libertypumps.com">libertypumps.com</a>, or contact Liberty Pumps at 1-800-543-2550.</p> <p>Retain dated sales receipt for warranty.</p>	
	Pump Model #: _____
	Pump Serial #: _____
	Manufacture Date: _____
	Install Date: _____

## Safety Precautions

### **WARNING** **RISK OF ELECTRIC SHOCK**

- Accidental contact with electrically live parts, items, fluid, or water can cause serious injury or death.
- Always disconnect pump(s) from power source(s) before handling or making any adjustments to either the pump(s), the pump system, or the control panel.
- All installation and maintenance of pumps, controls, protection devices, and general wiring shall be done by qualified personnel.
- All electrical and safety practices shall be in accordance with the National Electrical Code<sup>®</sup>, the Occupational Safety and Health Administration, or applicable local codes and ordinances.
- Pump shall be properly grounded using its supplied grounding conductor. Do not bypass grounding wires or remove ground prong from attachment plugs. Failure to properly ground the pump system can cause all metal portions of the pump and its surroundings to become energized.
- Do not handle or unplug the pump with wet hands, when standing on damp surface, or in water unless wearing Personal Protective Equipment.
- Always wear dielectric rubber boots and other applicable Personal Protective Equipment (PPE) when water is on the floor and an energized pump system must be serviced, as submerged electrical connections can energize the water. Do not enter the water if the water level is higher than the PPE protection or if the PPE is not watertight.
- Do not lift or carry a pump or a float assembly by its power cord. This will damage the power cord, and could expose the electrically live wires inside the power cord.
- The electrical power supply shall be located within the length limitations of the pump power cord, and for below grade installations, it shall be at least 4 ft (1.22 m) above floor level.
- Do not use this product in applications where human contact with the pumped fluid is common (such as swimming pools, fountains, marine areas, etc.).
- Protect the power cord from the environment. Unprotected power and switch cords can allow water to wick through ends into pump or switch housings, causing surroundings to become energized.
- This pump is supplied with a grounding conductor and grounding-type attachment plug. To reduce the risk of electric shock, be certain that it is connected to a Ground Fault Circuit Interrupter (GFCI) receptacle that meets the latest requirements per UL 943 including Auto-Monitoring or Self-Test Function and Reverse Line-load Miswire Function – Repeated.

### **WARNING** **RISK OF FIRE**

- Do not use an extension cord to power the product. Extension cords can overload both the product and extension cord supply wires. Overloaded wires will get very hot and can catch on fire.
- This product requires a separate, properly fused and grounded branch circuit, sized for the voltage and amperage requirements of the pump, as noted on the nameplate. Overloaded branch circuit wires will get very hot and can catch on fire.

- Explosion hazard during installation. PVC cleaners, primers, and cements can release explosive vapors. These heavier-than-air vapors can accumulate in the tank. The heat of soldering or sweating copper or other metal pipe can ignite these vapors causing a violent explosion. If the unit is to be connected to copper discharge or vent piping, all solvent-welded PVC joints must be allowed to cure a *minimum* of 24 hours. The access cover must be removed to allow the tank to be thoroughly ventilated prior to sweating copper pipe near the unit.
- For cord replacement: power cord must be of the same length and type as originally installed on the Liberty Pumps' product. Use of incorrect cord may lead to exceeding the electrical rating of the cord and could result in death, serious injury, or other significant failure.
- Do not use this product with or near flammable or explosive fluids such as gasoline, fuel oil, kerosene, etc. If rotating elements inside pump strike any foreign object, sparks may occur. Sparks could ignite flammable liquids.
- These pumps are not to be installed in locations classified as hazardous in accordance with the National Electric Code<sup>®</sup>, ANSI/NFPA 70.

### **WARNING** **RISK OF SERIOUS INJURY OR DEATH**

- Do not modify the pump/pump system in any way. Modifications may affect seals, change the electrical loading of the pump, or damage the pump and its components.
- All pump/pump system installations shall be in compliance with all applicable Federal, State, and Local codes and ordinances.
- Do not allow children to play with the pump system.
- Do not allow any person who is unqualified, to have contact with this pump system. Any person who is unaware of the dangers of this pump system, or has not read this manual, can easily be injured by the pump system.
- Do not remove any tags or labels from the pump or its cord.
- Keep clear of suction and discharge openings. To prevent injury, never insert fingers into pump while it is connected to a power source.
- Do not use this product with flammable, explosive, or corrosive fluids. Do not use in a flammable and/or explosive atmosphere as serious injury or death could result.
- California Proposition 65 Warning: This product contains chemicals known to the State of California to cause cancer, birth defects, or other reproductive harm. For more information, go to [www.p65warnings.ca.gov](http://www.p65warnings.ca.gov).

### **NOTICE**

- ◆ **Model 404:** Do not use pumps with fluid over 140°F (60°C). Operating the pump in fluid above this temperature can overheat the pump, resulting in pump failure.
- ◆ **Model 405:** Do not use pumps with fluid over 180°F (82°C). Operating the pump in fluid above this temperature can overheat the pump, resulting in pump failure.
- ◆ Do not dispose of materials such as paint thinner or other chemicals down drains. Doing so could chemically attack and damage pump system components and cause product malfunction or failure.
- ◆ Do not use pump system with mud, sand, cement, hydrocarbons, grease, or chemicals. Pump and system components can be damaged from these items causing product malfunction or failure. Additionally, flooding can occur if these items jam the impeller or piping.
- ◆ Do not run dry.

## Dimensions

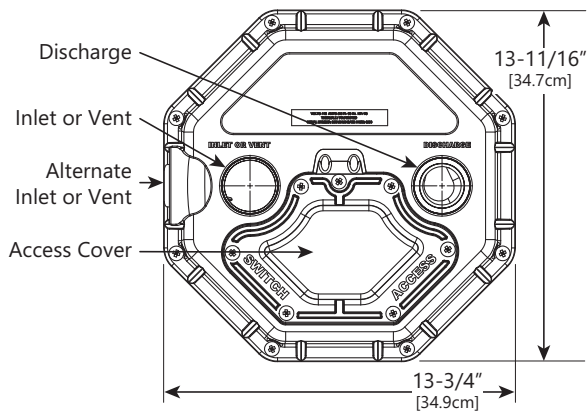


Figure 1. Model 404 and 405 Cover Dimensions

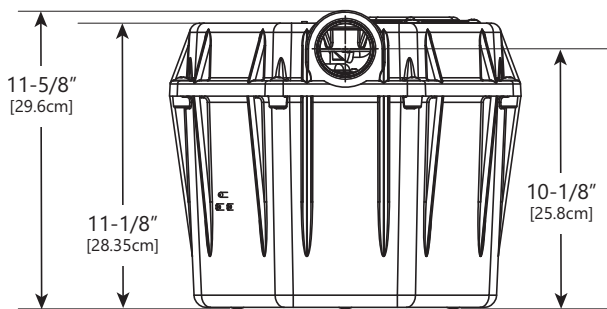


Figure 2. Model 404 Basin Dimensions

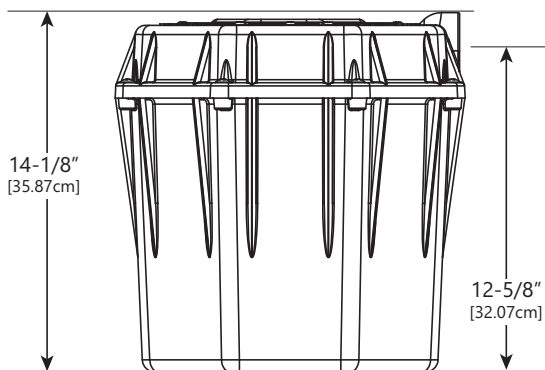


Figure 3. Model 405 Basin Dimensions

## Application

The Model 404 and 405-Series drain pumps are designed for use in gray wastewater applications. They will handle small debris and solids, such as laundry lint (up to 3/8"), associated with normal gray water drainage from a sink. Larger solids should be kept out of the pump system. The 405-Series is designed for commercial applications where higher temperature drain water (up to 180°F) may be used.

## Installation

### Inlet

The drain pump has two available ports: one on the top, the other on the side. Either can be used as a vent or inlet. Using the appropriate piping (1-1/2" on 404 and 404CV models and 2" on 404L and all 405 models), connect the fixture (i.e., laundry tub, basement sink, washing machine) to the pump. Refer to Figure 4 for a typical installation.

#### NOTICE

- ◆ Hand-tighten only
- ◆ Do not cross thread

A trap shall be used between the fixture and pump; a flange type is recommended. Hand-tighten trap to pump.

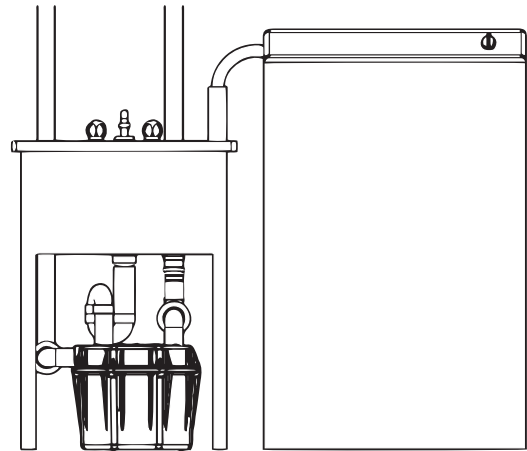


Figure 4. Typical Residential Installation

### Discharge

#### NOTICE

- ◆ Hand-tighten only
- ◆ Use appropriate thread sealing tape
- ◆ Do not cross thread

Install a union just above the pump to facilitate removal, if necessary, for cleaning or service. Install a check valve (**not included** except for CV models listed below) just above the union and as close to the pump as possible to prevent the backflow of water after each pump cycle.

#### Check Valve for CV Models

Models 404/CV, 404CV/A, and 404CV/A-EYE come with a check valve in order to meet ASME A112.3.4/CSA B45.9. This check valve must be threaded into the discharge port of the 404 cover.

### Vent

#### NOTICE

- ◆ Hand-tighten only
- ◆ Do not cap-off vent
- ◆ Do not use one-way quick-vents or air admittance valves as they will not guarantee proper fixture performance

Provision is made for a vent stack to allow extra volume for high suds conditions, and to ensure proper drainage of the fixture. The vent pipe should have a union to facilitate removal, if required, and shall be connected directly to a building or house vent.

### Inlet Air Hole (Alarm Units Only)

If the top port (hole) is used for the vent, the potential exists for an air pocket to form that would prevent the alarm float from activating. After the vent pipe has been installed, it is recommended that a 1/8" hole is drilled through both the unit and vent pipe to allow air to escape. Refer to Figure 5.

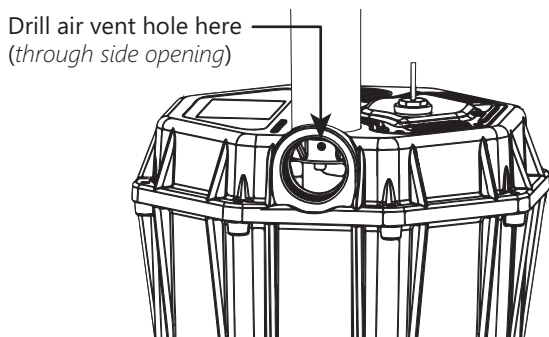


Figure 5. Air Vent Hole Location (Alarm units only)

### Power Cord

#### **⚠️ WARNING** ⚡ RISK OF ELECTRIC SHOCK

- All electrical and safety practices shall be in accordance with the National Electrical Code®, the Occupational Safety and Health Administration, or applicable local codes and ordinances.
- Always disconnect pump(s) from power source(s) before handling or making any adjustments to either the pump(s), the pump system, or the control panel.
- Pump shall be properly grounded using its supplied grounding conductor. Do not bypass grounding wires or remove ground prong from attachment plugs. Failure to properly ground the pump system can cause all metal portions of the pump and its surroundings to become energized.
- The electrical power supply shall be located within the length limitations of the pump power cord, and for below grade installations, it shall be at least 4 ft (1.22 m) above floor level.

#### **⚠️ WARNING** 🔥 RISK OF FIRE

- Do not use an extension cord to power the product. Extension cords can overload both the product and extension cord supply wires. Overloaded wires will get very hot and can catch on fire.

The pump power cord is equipped with a grounding-type 3-prong plug. It must be connected to a separately fused, grounded, 3-wire grounding-type receptacle of 15-amp capacity with the proper pump voltage (all models are 115V, except the 405HV which is 230V). Refer to the pump nameplate to verify electrical specifications.

### Alarm

Models 404 and 405 with /A or /A-EYE come with a Liberty Pumps alarm. For instructions on using this alarm, refer to the included alarm manual.

### Operation

The Model 404 and 405-Series pumps come factory-equipped with a float switch mounted in the tank. There are two controlling cords—one to the float switch (float switch shown in Figure 7) and the other to the pump motor. The float switch cord has a series (piggyback) plug enabling the pump motor cord to be plugged into the back of it (see Figure 6). The purpose of this design is to allow temporary manual operation of the pump.

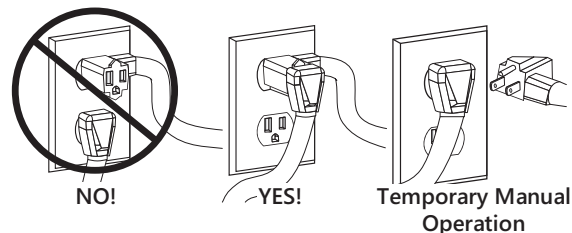


Figure 6. Piggyback Plug Installation

For automatic operation using Liberty Pumps' supplied switch, the two cords must be interconnected and plugged into a separately fused, grounded outlet.

For manual operation, or in the event of switch failure, the pump cord can be separated and plugged into the electrical outlet, directly bypassing the switch. **Note:** Model 405HV should only be operated without the float switch by using the circuit breaker or panel disconnect.

### Maintenance and Troubleshooting

#### **⚠️ WARNING** ⚡ RISK OF ELECTRIC SHOCK

- Always disconnect pump(s) from power source(s) before handling or making any adjustments to either the pump(s), the pump system, or the control panel.

Each unit is individually factory-tested to ensure proper adjustment and operation. If the unit fails to operate properly, re-read the instructions to verify they have been followed correctly. Replacement parts for this product are available at <http://www.libertypumps.com/Services/Replacement-Parts>.

Routine maintenance is not required on the pump itself, but associated connections may require occasional attention. Lint and foreign objects should be removed from the trap periodically. The check valve on the discharge should also be checked for freedom of operation at the same time.

The pump is automatically turned on and off by use of a float switch mounted within the tank. This switch can be easily removed and checked for operation by removing the access cover located on top of the unit. Once the access cover has been removed, a rubber plug must be lifted to free up the switch cord. The switch is mounted to a rod which can be removed by lifting or pulling upward.

**IMPORTANT:** Do not adjust the tether length (*tether length is the distance of cord measured between the clamp and top of float switch*). If replacing the switch, make sure to maintain the correct tether length for the model. Refer to Figure 7.

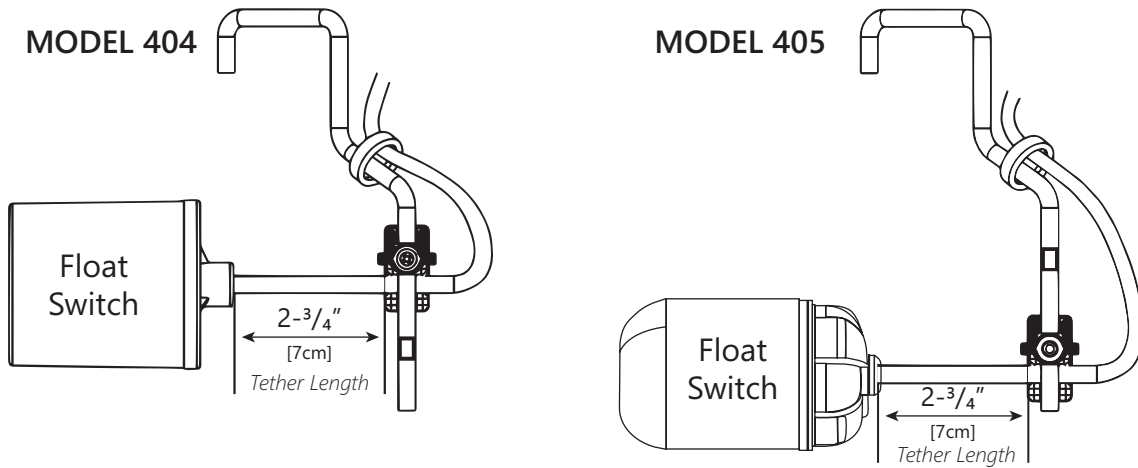


Figure 7. Pump Float Switch and Tether Length

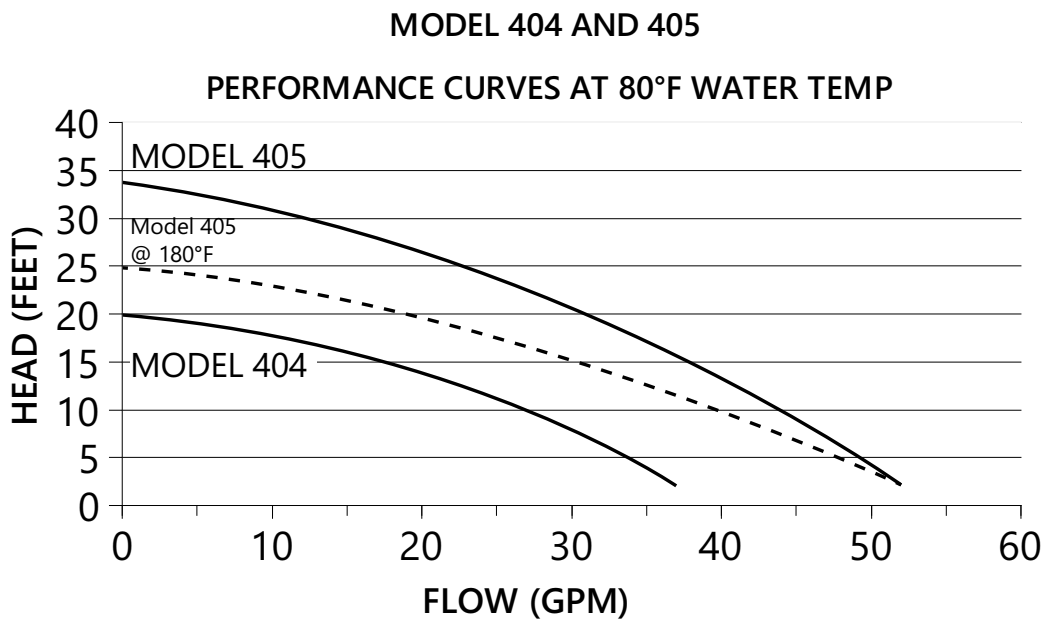


Figure 8. Performance Curves for Models 404 and 405

Table 1. Troubleshooting Matrix

Problem	Possible Cause	Correction
Pump will not turn on or shut off.	Tripped circuit breaker, tripped GFCI, blown fuse, or other interruption of power.	Reset tripped circuit breaker, reset GFCI, replace blown fuse with properly sized fuse, check that the unit is securely plugged in, investigate power interruption.
	Improper voltage.	Have an electrician check all wiring for proper connections and adequate capacity.
	Plugged vent, or quick-vent in use.	Verify that an unrestricted vent at least 1-1/4" in diameter is in use. <i>Quick-vents shall not be used.</i>
	Defective float switch or build-up on tank wall restricting free movement of float switch.	*Remove access cover and check that float is free to move. If build-up restricts float, clean and reinstall. If defective, replace switch.
Pump runs or hums but does not pump.	Discharge is blocked or restricted.	Check the discharge line for blockage, including ice if the line passes through or into cold areas.
	Check valve is stuck closed or installed wrong.	Remove and examine for freedom of operation and proper installation.
	Total head (lift height) has been reached (refer to Figure 8)	Try routing pipe to a lower level. If not possible, another pumping station may be required at a level of roughly half the total head (lift).
	Pump impeller is jammed.	*Disassemble unit to expose pump impeller. Remove foreign material. Reassemble.
	Trap or inlet piping is clogged.	Check the trap and inlet piping for restrictions.
Pump short-cycles.	Plugged vent, or quick-vent in use.	Verify that an unrestricted vent at least 1-1/4" in diameter is in use. <i>Quick-vents shall not be used.</i>
	Defective float switch.	*Remove access cover and check that float is free to move. If build-up restricts float, clean and reinstall. If defective, replace switch.
	Check valve was not installed, is stuck open, or is leaking.	Remove and examine for freedom of operation and proper installation.
Pump runs periodically when fixtures are not in use.	Check valve was not installed, is stuck open, or is leaking.	Remove and examine for freedom of operation and proper installation.
	Faucets are dripping.	Repair faucets to eliminate dripping.
Water or soap suds come out of vent pipe.	Vent pipe is too short or too small in diameter.	Verify that an unrestricted vent at least 1-1/4" in diameter is in use.
	Defective float switch.	*Remove tank cover and check that float is free to move. If build-up restricts float, clean and reinstall. If defective, replace switch.
	Rate of inflow exceeds pump output.	Use valve on the inlet to reduce rate of inflow.
Pump operates noisily.	Foreign objects in impeller cavity.	*Disassemble unit to expose pump impeller. Remove foreign material. Reassemble.
	Piping to house structure is too rigid.	Replace a portion of the discharge pipe with rubber hose to absorb noise.

\*NOTE: Liberty Pumps, Inc. assumes no responsibility for damage or injury due to disassembly beyond float removal in the field. Disassembly, other than at Liberty Pumps or its authorized service centers, automatically voids warranty.

## **Warranty**

---

### ***Liberty Pumps Wholesale Products Limited Warranty***

Liberty Pumps, Inc. warrants that Liberty Pumps wholesale products are free from all factory defects in material and workmanship for a period of three (3) years from the date of purchase (excluding batteries). The date of purchase shall be determined by a dated sales receipt noting the model and serial number of the pump. The dated sales receipt must accompany the returned pump if the date of return is more than three years from the date of manufacture noted on the pump nameplate.

The manufacturer's sole obligation under this Warranty shall be limited to the repair or replacement of any parts found by the manufacturer to be defective, provided the part or assembly is returned freight prepaid to the manufacturer or its authorized service center, and provided that none of the following warranty-voiding characteristics are evident:

The manufacturer shall not be liable under this Warranty if the product has not been properly installed, operated, or maintained per manufacturer instructions; if it has been disassembled, modified, abused, or tampered with; if the electrical cord has been cut, damaged, or spliced; if the pump discharge has been reduced in size; if the pump has been used in water temperatures above the advertised rating; if the pump has been used in water containing sand, lime, cement, gravel, or other abrasives; if the product has been used to pump chemicals, grease, or hydrocarbons; if a non-submersible motor has been subjected to moisture; or if the label bearing the model and serial number has been removed.

Liberty Pumps, Inc. shall not be liable for any loss, damage, or expenses resulting from installation or use of its products, or for indirect, incidental, and consequential damages, including costs of removal, reinstallation or transportation.

**There is no other express warranty. All implied warranties, including those of merchantability and fitness for a particular purpose, are limited to three years from the date of purchase. This Warranty contains the exclusive remedy of the purchaser, and, where permitted, liability for consequential or incidental damages under any and all warranties are excluded.**



7000 Apple Tree Avenue  
Bergen, NY 14416  
ph: 800-543-2550  
fax: 585-494-1839  
[www.libertypumps.com](http://www.libertypumps.com)



# Bomba de drenaje automática

## Modelos



### 404

1/3 hp residencial 115V

- 404
- 404/A
  - alarma
- 404/A-EYE
  - alarma NightEye®
- 404CV
  - válvula de retención
- 404CV/A
  - válvula de retención y alarma
- 404CV/A-EYE
  - válvula de retención y alarma NightEye®
- 404L
  - puertos más grandes
- 404L/A
  - puertos más grandes y alarma
- 404L/A-EYE
  - puertos más grandes y alarma NightEye®



### 405









1/2 hp comercial alta temperatura 115V



- 405
- 405HV
  - alto voltaje 230V
- 405/A
  - alarma
- 405/A-EYE
  - alarma NightEye®

# Contenido

<i>Medidas de seguridad</i> .....	3
<i>Dimensiones</i> .....	4
<i>Aplicación</i> .....	4
<i>Instalación</i> .....	4
<i>Operación</i> .....	5
<i>Mantenimiento y solución de problemas</i> .....	6
<i>Garantía</i> .....	8

## Reglas de seguridad

	Este símbolo de alerta de seguridad se usa en el manual y en la bomba para alertar sobre el riesgo potencial de lesiones graves o la muerte.
	Este símbolo de alerta de seguridad identifica el <b>riesgo de descarga eléctrica</b> . Se acompaña con una instrucción destinada a minimizar el riesgo potencial de descarga eléctrica.
	Este símbolo de alerta de seguridad identifica el <b>riesgo de incendio</b> . Se acompaña con una instrucción destinada a minimizar el riesgo potencial de incendio.
	Este símbolo de alerta de seguridad identifica el <b>riesgo de lesiones graves o la muerte</b> . Se acompaña con una instrucción destinada a minimizar el riesgo potencial de lesión o muerte.
	Advierte sobre peligros que, si no se evitan, <b>provocarán</b> lesiones graves o la muerte.
	Advierte sobre los peligros que, si no se evitan, <b>pueden provocar</b> lesiones graves o la muerte.
	Advierte sobre peligros que, si no se evitan, pueden ocasionar lesiones leves o moderadas.
	Señala una instrucción importante relacionada con la bomba. El incumplimiento de estas instrucciones puede ocasionar fallas en la bomba o daños a la propiedad.

	<b>Lea todos los manuales suministrados antes de usar el sistema de bomba. Siga todas las instrucciones de seguridad de los manuales y de la bomba. De lo contrario, podrían producirse lesiones graves o la muerte.</b>
	<b>Instalador: el manual debe permanecer con el propietario o el operador/encargado del sistema.</b>
Mantenga este manual a mano para futuras referencias.	Registre la información de la placa de identificación de la bomba:
Para obtener un manual de reemplazo, visite <a href="http://libertypumps.com">libertypumps.com</a> , o comuníquese con Liberty Pumps al 1-800-543-2550.	N.º de modelo de la bomba: _____
Conserve el recibo de venta fechado para la garantía.	N.º de serie de la bomba: _____
	Fecha de fabricación: _____
	Fecha de instalación: _____

## Medidas de seguridad

### ADVERTENCIA RIESGO DE SHOCK ELÉCTRICO

- El contacto accidental con partes, elementos, fluido o agua bajo tensión puede causar lesiones graves o la muerte.
- Desconecte siempre las bombas de las fuentes de alimentación antes de manipular o realizar cualquier ajuste en las bombas, el sistema de bomba o el panel de control.
- Toda la instalación y el mantenimiento de bombas, controles, dispositivos de protección y cableado general deben ser realizados por personal calificado.
- Todas las prácticas eléctricas y de seguridad deben realizarse según el National Electrical Code®, la Administración de Seguridad y Salud Ocupacional, o los códigos y las ordenanzas locales aplicables.
- La bomba debe estar correctamente conectada a tierra utilizando el conductor de conexión a tierra suministrado. No puentee los cables de conexión a tierra ni quite la conexión a tierra de los enchufes. Si el sistema de la bomba no se conecta a tierra correctamente, se pueden energizar todas las partes metálicas de la bomba y sus alrededores.
- No manipule ni desenchufe la bomba con las manos mojadas, mientras esté de pie sobre una superficie húmeda o en agua, a menos que use el equipo de protección personal.
- Siempre use botas de goma dieléctrica y otros equipos de protección personal (EPP) aplicables cuando haya agua en el piso y se deba revisar un sistema de bomba energizado, ya que las conexiones eléctricas sumergidas pueden energizar el agua. No ingrese en el agua si el nivel es más alto que la protección del EPP o si el equipo no es hermético.
- No levante ni transporte una bomba o un conjunto de flotador por el lado del cable de alimentación. Esto dañará el cable de alimentación y podría exponer los hilos bajo tensión dentro del cable.
- El suministro de energía eléctrica se debe ubicar dentro de las limitaciones de longitud del cable de alimentación de la bomba, y para las instalaciones por debajo del nivel del suelo, debe ser de al menos 4 pies (1.22 m) por encima del nivel del suelo.
- No utilice este producto en aplicaciones donde el contacto humano con el fluido bombeado sea común (como piscinas, fuentes, áreas marinas, etc.).
- Proteja el cable de alimentación del medio ambiente. Los cables de alimentación y de interruptor desprotegidos pueden permitir que el agua se filtre a través de los extremos en la bomba o en la carcasa del interruptor y, de esta forma, energizar el entorno.
- Esta unidad viene con un conductor de conexión a tierra y un enchufe de toma a tierra. Para reducir el riesgo de descargas eléctricas conecte la bomba a un tomacorriente debidamente conectado a un interruptor de circuito con pérdida a tierra (GFCI por sus siglas en inglés) que cumpla con los requisitos más recientes de la norma UL 943, incluyendo Función de Auto-Monitoring o Self-Test y Reverse Line-Load Miswire Function - Repeated.

### ADVERTENCIA RIESGO DE FUEGO

- No use un cable de extensión para alimentar el producto. Los cables de extensión pueden sobrecargar tanto el producto como los hilos de suministro del cable de extensión. Los hilos sobrecargados se pueden calentar mucho y prenderse fuego.
- Este producto requiere un circuito derivado separado, con fusibles adecuados y conectado a tierra, dimensionado para los requisitos de voltaje y amperaje de la bomba, como se

indica en la placa de identificación. Los cables de circuitos derivados sobrecargados se pueden calentar mucho y prenderse fuego.

- Riesgo de explosión durante la instalación. Los limpiadores, las pinturas base y los cementos de tubos de PVC pueden liberar vapores explosivos. Estos vapores más densos que el aire se pueden acumular en el tanque. El calor emitido por soldadores de cobre o por el proceso de soldar cobre u otros tubos de metal puede incendiar estos vapores y causar una explosión violenta. Si la unidad se va a conectar a un desagüe de cobre o a una tubería de ventilación, todas las conexiones de los tubos de PVC unidas por solvente se deben curar durante un *mínimo de 24 horas*. La tapa de acceso se debe extraer para permitir que el tanque se ventile debidamente antes de soldar tubería de cobre cerca de la unidad.
- Para el reemplazo del cable: cable de alimentación debe ser del mismo largo y tipo que el cable originalmente instalado en el producto de Liberty Pumps. El uso de un cable incorrecto puede exceder la clasificación eléctrica y provocar la muerte, lesiones graves u otras fallas importantes.
- No utilice este producto con líquidos inflamables o explosivos como gasolina, aceite combustible, queroseno, etc., como así tampoco en sus cercanías. Si los elementos giratorios dentro de la bomba golpean cualquier objeto extraño, pueden producirse chispas. Las chispas podrían encender líquidos inflamables.
- Estas bombas no deben instalarse en ubicaciones clasificadas como peligrosas de acuerdo con el National Electric Code®, ANSI/NFPA 70.

### ADVERTENCIA RIESGO DE MUERTE

- No modifique el sistema de bomba/la bomba de ninguna manera. Las modificaciones pueden afectar los sellos, cambiar la carga eléctrica de la bomba, o dañar la bomba y sus componentes.
- Todas las instalaciones del sistema de bomba/la bomba deberán cumplir con todos los códigos y las ordenanzas federales, estatales y locales aplicables.
- No permita que los niños jueguen con el sistema de bomba.
- No permita que ninguna persona no calificada tenga contacto con este sistema de bomba. Cualquier persona que no tenga conocimiento de los peligros de este sistema de bomba o que no haya leído este manual, puede resultar fácilmente lesionada.
- No quite etiquetas de la bomba ni del cable.
- Manténgase alejado de las aberturas de succión y descarga. Para evitar lesiones, nunca inserte los dedos en la bomba mientras está conectada a una fuente de alimentación.
- No use este producto con fluidos inflamables, explosivos o corrosivos. No lo use en una atmósfera inflamable o explosiva, ya que podría ocasionar lesiones graves o la muerte.
- Advertencia de la Propuesta 65 de California: Este producto contiene productos químicos que el estado de California sabe que causan cáncer, defectos de nacimiento u otros daños reproductivos. Para obtener más información, vaya a [www.p65warnings.ca.gov](http://www.p65warnings.ca.gov).

### AVISO

- ◆ **Modelo 404:** No utilice estas bombas con líquido a más de 140°F (60°C). Si lo hiciera, puede sobrecalentar la bomba y provocar una falla.
- ◆ **Modelo 405:** No utilice estas bombas con líquido a más de 180°F (82°C). Si lo hiciera, puede sobrecalentar la bomba y provocar una falla.

- ◆ No utilice desecho por el drenaje materiales como solvente para pintura u otros químicos, ya que pueden llegar a atacar y dañar los componentes de la bomba y potencialmente causar que el equipo no funcione bien o deje de funcionar.
- ◆ No utilice el sistema de bomba con lodo, arena, cemento, hidrocarburos, grasa o productos químicos. Los componentes de la bomba y del sistema podrían dañarse, y provocar un mal funcionamiento o una falla del producto. Además, puede producirse una inundación si estos materiales atascan el impulsor o la tubería.
- ◆ No utilice el sistema en seco.

## Dimensiones

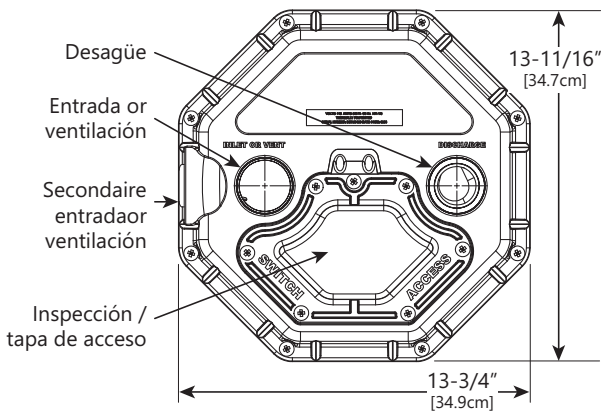


Figura 1. Modelo 404 y 405 dimensiones de la cubierta

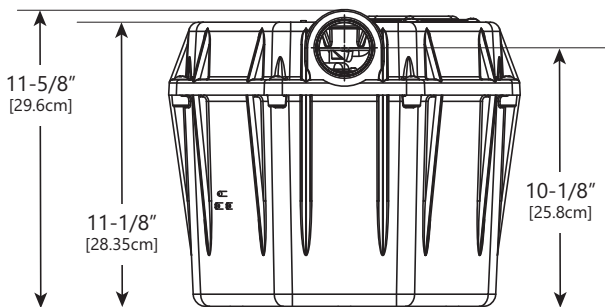


Figura 2. Modelo 404 dimensiones de la cuenca

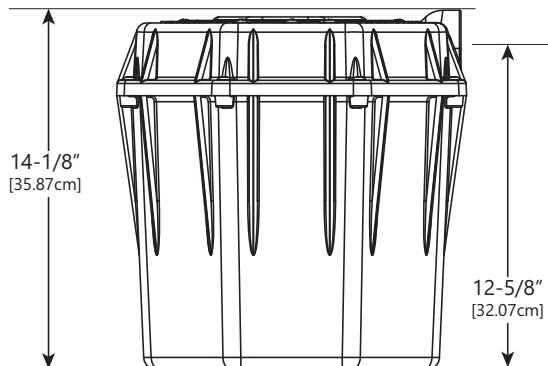


Figura 3. Modelo 405 dimensiones de la cuenca

## Aplicación

Las bombas de drenaje de las series 404 y 405 se deben utilizar para bombear aguas residuales. Son capaces de admitir residuos de tamaño reducido, como por ejemplo la pelusa de la colada (hasta 0,95 cm ó 3/8 plg.) que sale con el desagüe normal de un fregadero. No permita que entren partículas sólidas de mayor tamaño en la bomba. La serie 405 ha sido diseñada para aplicaciones comerciales y se puede utilizar agua de desagüe a temperaturas superiores (82°C ó 180°F como máximo).

## Instalación

### Admisión

La bomba tiene dos puertos disponibles: uno en la parte superior y otro en el lateral. Ambos se pueden utilizar como respiradero o como admisión. Conecte la máquina a la bomba con una tubería del tamaño apropiado (3,81 cm ó 1-1/2 pulgadas para el modelo 404 y 404CV y 5,08 cm ó 2 pulgadas para los modelos 404L y 405), conecte el accesorio (es decir, lavadero, fregadero del sótano, lavadora) a la bomba. Consulte Figura 4 para una instalación típica.

#### AVISO

- ◆ Apriete la conexión sólo con la mano
- ◆ No fuerce la rosca

Se debe usar una trampa entre el accesorio y la bomba; se recomienda un tipo de brida. Apriete con la mano la trampa para bombear.

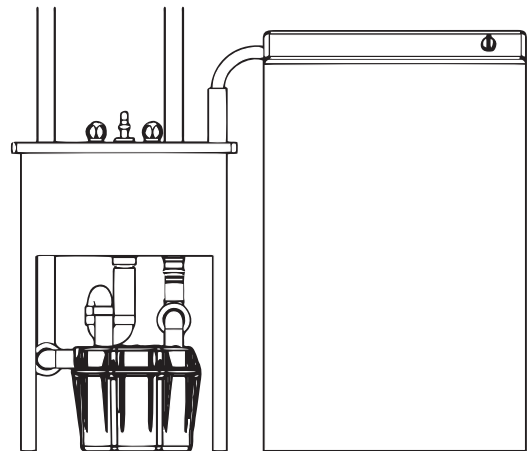


Figura 4. Instalación residencial típica

### Desagüe

#### AVISO

- ◆ Apriete la conexión sólo con la mano
- ◆ Utilizar el sellador de rosca o la cinta de teflón adecuados
- ◆ No fuerce la rosca

Instale un empalme justo encima de la bomba para facilitar su desmontaje para tareas de limpieza y mantenimiento. Instale una válvula de retención (no incluido) justo encima del empalme, lo más cerca posible de la bomba, para evitar el contraflujo del agua después de cada ciclo de bombeo.

## Válvula de retención para modelos de CV

Los modelos 404/CV, 404CV/A y 404CV/A-EYE vienen con una válvula de retención para cumplir con la norma ASME112.3.4 / CSAB45.9. Esta válvula de retención debe enroscarse en el puerto de desagüe de la cubierta del 404.

## Respiradero

### AVISO

- ◆ Apriete la conexión sólo con la mano
- ◆ No tape el respiradero
- ◆ No emplee ventilación rápida unidireccional o válvulas de admisión de aire, ya que no garantizarán el desempeño adecuado de los dispositivos

La unidad tiene un respiradero para dar cabida al volumen extra del agua jabonosa y asegurar el drenaje completo de la unidad. El respiradero deberá contar con una unión que facilite su desmontaje y deberá estar conectado directamente a la tubería de ventilación del edificio o de la casa.

### Orificio de entrada de aire (unidades de alarma solamente)

Si se usa el orificio superior (orificio) para la ventilación, existe la posibilidad de que se forme una bolsa de aire que evite que la alarma flotante se active. Después de instalar la tubería de ventilación, se recomienda perforar un orificio de 1/8 " a través de la unidad y la tubería de ventilación para permitir que escape el aire. Consulte la Figura 5.

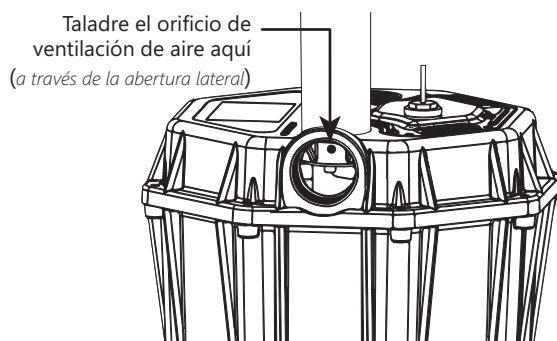


Figura 5. Ubicación del orificio de ventilación (solo unidades de alarma)

## Cable de alimentación

### ADVERTENCIA RIESGO DE SHOCK ELÉCTRICO

- Todas las prácticas eléctricas y de seguridad deben realizarse según el National Electrical Code®, la Administración de Seguridad y Salud Ocupacional, o los códigos y las ordenanzas locales aplicables.
- Desconecte siempre las bombas de las fuentes de alimentación antes de manipular o realizar cualquier ajuste en las bombas, el sistema de bomba o el panel de control.
- La bomba debe estar correctamente conectada a tierra utilizando el conductor de conexión a tierra suministrado. No puentee los cables de conexión a tierra ni quite la conexión a tierra de los enchufes. Si el sistema de la bomba no se conecta a tierra correctamente, se pueden energizar todas las partes metálicas de la bomba y sus alrededores.

- El suministro de energía eléctrica se debe ubicar dentro de las limitaciones de longitud del cable de alimentación de la bomba, y para las instalaciones por debajo del nivel del suelo, debe ser de al menos 4 pies (1.22 m) por encima del nivel del suelo.

### ADVERTENCIA RIESGO DE FUEGO

- No use un cable de extensión para alimentar el producto. Los cables de extensión pueden sobrecargar tanto el producto como los hilos de suministro del cable de extensión. Los hilos sobrecargados se pueden calentar mucho y prenderse fuego.

El cable de potencia de la bomba lleva un conector a tierra y un enchufe de 3 clavijas con conexión a tierra. Se debe enchufar a un tomacorriente trifilar con fusibles independientes conectado a tierra con capacidad para 15 amperios, con el voltaje apropiado para el modelo (todos los modelos son de 115V, excepto el 405HV que es de 230V). Consulte la placa de identificación de la bomba para verificar las especificaciones eléctricas.

## Alarma

Los modelos 404 y 405 con /A o /A-EYE vienen con una alarma Liberty Pumps. Para conocer las instrucciones sobre el uso de esta alarma, consulte el manual de alarmas adjunto.

## Operación

Las bombas de las series 404 y 405 vienen equipadas con un interruptor de flotador montado dentro del tanque. Estos modelos vienen con dos cables: uno al interruptor de flotador (interruptor de flotador se muestra en la Figura 7) y el otro al motor. El cable del interruptor lleva un interruptor en serie (o cascada) en el que se puede enchufar el cable de la bomba (vea la Figura 6). Esto permite la operación manual de la bomba durante un tiempo limitado.

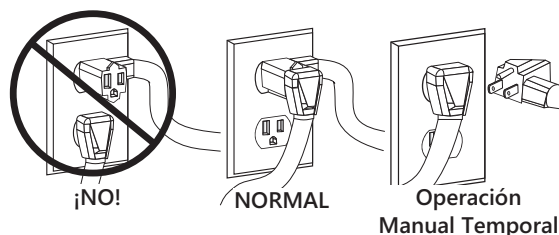


Figura 6. Instalación del enchufe multicapa

La **operación automática** con el interruptor de Liberty Pumps, se deberán interconectar los dos cables y enchufarse a un tomacorriente con conexión a tierra, con fusible independiente y el amperaje apropiado para el modelo. Ambos cables llevan enchufes de 3 clavijas y se deben enchufar en un tomacorrientes trifilar con toma a tierra.

Para la **operación manual**, o falla el interruptor, el cable de la bomba se puede separar y enchufar en un tomacorriente, evitando de esta manera el interruptor. La modelo 405HV se deben operar solamente sin el flotador por medio de un disyuntor o panel de desconexión.

## Mantenimiento y solución de problemas

### **ADVERTENCIA** **RIESGO DE SHOCK ELÉCTRICO**

- Desconecte siempre las bombas de las fuentes de alimentación antes de manipular o realizar cualquier ajuste en las bombas, el sistema de bomba o el panel de control.

Todas las bombas se someten a prueba en fábrica como garantía de su funcionamiento. Si la unidad no funciona correctamente, vuelva a leer las instrucciones para asegurarse de que las siguió al pie de la letra. La bomba no necesita de mantenimiento periódico, pero sus conexiones sí pueden requerir atención ocasionalmente. Limpie el purgador regularmente. También se deberá comprobar que la válvula de retención en el desagüe funcione sin impedimentos. Las piezas de repuesto para este producto están disponibles en <http://www.libertypumps.com/Services/Replacement-Parts>.

El interruptor de flotador situado dentro del tanque apaga y enciende la bomba automáticamente. Este interruptor se puede desmontar con facilidad para comprobar su funcionamiento. Para hacerlo, retire la tapa de acceso en la parte superior de la unidad. Una vez retirada la tapa de acceso, levante el tapón de goma para soltar el cable del interruptor. El interruptor está montado en una varilla: para retirarla levántela o jale de ella hacia arriba.

**IMPORTANTE:** No cambie la longitud del amarre. Si necesita reemplazar el interruptor, compruebe que el amarre nuevo tenga la longitud indicada en Figura 8. (La longitud del amarre es la distancia que va desde la abrazadera hasta la parte superior del interruptor de flotador.)

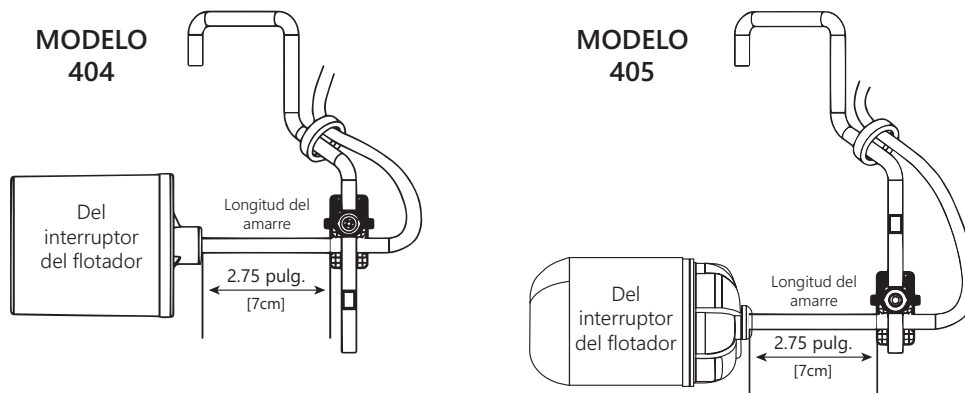


Figura 7. Longitud del amarre del interruptor del flotador

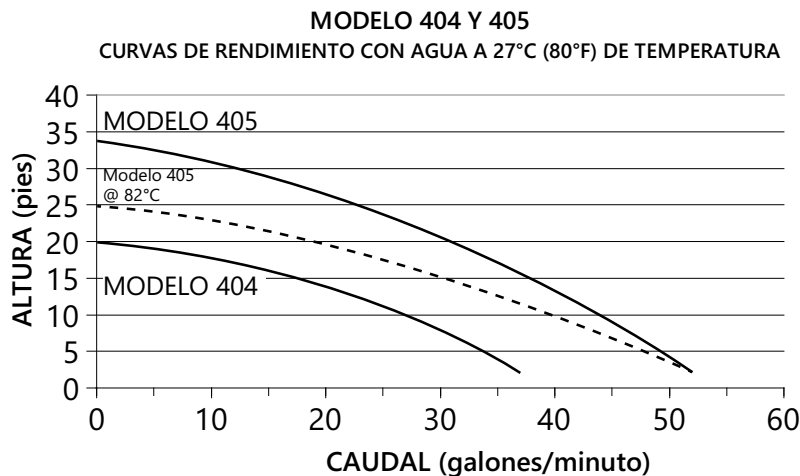


Figura 8. Curvas de rendimiento para 404 y 405

Tabla 1. Resolución de problemas de la matriz

Problema	Causa posible	Acción correctiva
La bomba no se puede encender o apagar.	Se ha fundido un fusible o el flujo eléctrico se ha interrumpido de algún otro modo; voltaje incorrecto.	Compruebe que la bomba esté enchufada. Haga que un electricista compruebe que todos los cables estén correctamente conectados y la capacidad sea la necesaria.
	Respiradero atascado o respiradero de paso único instalado.	Compruebe que haya un respiradero libre de obstrucciones de 3,2 cm. (1-1/4 plg.) de diámetro como mínimo. No deberá emplearse una ventilación rápida.
	Interruptor de flotador defectuoso o acumulaciones en las paredes del tanque que limitan el movimiento del interruptor.	*Quite la tapa de acceso y compruebe que el flotador se pueda mover sin impedimentos. Si el problema es que hay acumulaciones que impiden el movimiento, limpie el tanque y vuélvalo a instalar. Si el problema es que el interruptor está estropeado, reemplácelo.
La bomba funciona o zumba pero no bombea.	El desagüe está atascado o restringido.	Compruebe que no haya atascos en la línea de desagüe, como hielo, si la línea pasa por áreas frías.
	Compruebe que la válvula no se haya quedado cerrada o esté mal instalada.	Desmóntela y revisela para asegurarse de que funciona y se instaló correctamente.
	Se alcanzó la altura máxima (vea la Figura 8).	Intente llevar la tubería a un nivel más bajo. Si esto no fuera posible, puede que haga falta instalar otra bomba a la mitad de la altura total.
	El rotor de la bomba está atascado.	*Desmonte el depósito y la base de la bomba. Limpie la obstrucción. Vuelva a montar la bomba.
	El purgador o la tubería de admisión está atascado.	Compruebe que no haya obstrucciones en el purgador ni en la tubería de admisión.
Ciclos cortos.	Respiradero atascado o respiradero de paso único instalado.	Compruebe que haya un respiradero libre de obstrucciones de 3,2 cm. (1-1/4 plg.) de diámetro como mínimo. No deberá emplearse una ventilación rápida.
	Interruptor defectuoso.	*Quite la tapa de acceso y compruebe que el flotador se pueda mover sin impedimentos. Si el problema es que hay acumulaciones que impiden el movimiento, limpie el tanque y vuélvalo a instalar. Si el problema es que el interruptor está estropeado, reemplácelo.
	No hay instalada una válvula de retención, se queda abierta o tiene una fuga.	Desmóntela y revisela para asegurarse de que funciona y se instaló correctamente.
La bomba se activa periódicamente cuando la maquinaria no está en uso.	No hay instalada una válvula de retención, se queda abierta o tiene una fuga.	Desmóntela y revisela para asegurarse de que funciona y se instaló correctamente.
	Los grifos gotean.	Repáre los grifos.
Sale agua o jabón por el respiradero.	La tubería es demasiado estrecha o demasiado corta.	Compruebe que haya un respiradero libre de obstrucciones de 3,2 cm. (1-1/4 plg.) de diámetro como mínimo.
	Interruptor defectuoso.	*Quite la tapa del tanque y compruebe que el flotador se puede mover sin impedimentos. Si el problema es que hay acumulaciones que impiden el movimiento, limpie el tanque y vuélvalo a instalar. Si el problema es que el interruptor está estropeado, reemplácelo.
	El caudal de entrada supera el caudal de salida de la bomba.	Cierre el caudal de entrada con la válvula en la admisión.
La bomba hace demasiado ruido.	Material foráneo en la cavidad del rotor.	*Desmonte el depósito y la base de la bomba. Limpie la obstrucción. Vuelva a montar la bomba.
	La tubería a la estructura es excesivamente rígida.	Reemplace una porción de la tubería de desagüe con un trozo de manguera de caucho para que absorba el ruido.

\*NOTA: Liberty Pumps, Inc. no asume ninguna responsabilidad por desperfectos o lesiones resultantes del desmontaje de la bomba sobre el terreno, excepto si se trata de desmontar el flotador. Si el desmontaje de la bomba no lo lleva a cabo Liberty Pumps o uno de sus centros de servicio autorizados, la garantía quedará anulada.

## **Garantía**

---

### ***Garantía limitada de Liberty Pumps Wholesale Products***

Liberty Pumps, Inc. garantiza que los productos al por mayor de Liberty Pumps están libres de defectos de fábrica en cuanto a materiales y mano de obra por un período de tres (3) años a partir de la fecha de compra (sin incluir las baterías). La fecha de compra se determinará mediante un recibo de venta con fecha que indique el modelo y el número de serie de la bomba. El recibo de venta fechado debe acompañar a la bomba devuelta si la fecha de devolución es superior a tres años desde la fecha de fabricación indicada en la placa de identificación.

La única obligación del fabricante bajo esta Garantía se limitará a la reparación o el reemplazo de cualquier pieza que el fabricante considere defectuosa, siempre que la pieza o el ensamblaje se devuelvan con flete prepago al fabricante o al centro de servicio autorizado, y siempre que no se manifieste ninguna de las siguientes características de anulación de la garantía:

El fabricante no será responsable bajo esta Garantía si el producto no se ha instalado, operado o mantenido correctamente según las instrucciones del fabricante; si ha sido desmontado, modificado, utilizado indebidamente o alterado; si el cable eléctrico ha sido cortado, dañado o empalmado; si la descarga de la bomba se ha reducido en tamaño; si la bomba se ha utilizado en temperaturas de agua superiores a la calificación indicada; si la bomba se ha utilizado en agua que contiene arena, cal, cemento, grava u otros abrasivos; si el producto se ha utilizado para bombear productos químicos, grasa o hidrocarburos; si un motor no sumergible ha sido sometido a humedad; o si la etiqueta que lleva el modelo y el número de serie ha sido eliminada.

Liberty Pumps, Inc. no será responsable por ninguna pérdida, daño o gasto que resulte de la instalación o el uso de sus productos, ni por daños indirectos, incidentales y consecuentes, incluidos los costos de remoción, reinstalación o transporte.

**No hay ninguna otra garantía expresa. Todas las garantías implícitas, incluidas las de comerciabilidad e idoneidad para un fin determinado, están limitadas a tres años a partir de la fecha de compra. Esta Garantía contiene el único recurso para el comprador y, donde esté permitido, se excluye la responsabilidad por daños consecuentes o incidentales bajo cualquiera y todas las garantías.**



## Manuel d'installation

7212000F

# Pompe d'évacuation automatique

## Modèles



### 404

1/3 hp résidentiel 115V

- 404
- 404/A
  - *alarme*
- 404/A-EYE
  - *alarme NightEye®*
- 404CV
  - *clapet antiretour*
- 404CV/A
  - *clapet antiretour et alarme*
- 404CV/A-EYE
  - *clapet antiretour et alarme NightEye®*
- 404L
  - *ports plus grands*
- 404L/A
  - *ports plus grands et alarme*
- 404L/A-EYE
  - *ports plus grands et alarme NightEye®*



### 405

1/2 hp commercial haute température 115V

- 405
- 405HV
  - *haute tension 230V*
- 405/A
  - *alarme*
- 405/A-EYE
  - *alarme NightEye®*

7000 Apple Tree Avenue  
Bergen, NY 14416 USA  
téléphone: 800-543-2550  
fax: 585-494-1839  
www.libertypumps.com



Tous les modèles contiennent  
une pompe homologuée



Modèle 404CV seulement









ASME A112.3.4  
CSA B45.9





# Table des matières

<i>Mesures de sécurité</i> .....	3
<i>Dimensions</i> .....	4
<i>Utilisation</i> .....	4
<i>Installation</i> .....	4
<i>Opération</i> .....	6
<i>Entretien et dépannage</i> .....	6
<i>Garantie</i> .....	8

## Consignes de sécurité

	Ce symbole d'alerte de sécurité est utilisé dans le manuel et sur la pompe pour signaler un risque éventuel de blessures graves ou mortelles.
	Ce symbole d'alerte de sécurité identifie le <b>risque de choc électrique</b> . Il est accompagné d'instructions destinées à minimiser le risque éventuel de choc électrique.
	Ce symbole d'alerte de sécurité identifie le <b>risque d'incendie</b> . Il est accompagné d'instructions destinées à minimiser les risques éventuels d'incendie.
	Ce symbole d'alerte de sécurité identifie le <b>risque de blessures graves ou mortelles</b> . Il est accompagné d'instructions destinées à minimiser les risques éventuels de blessures graves ou mortelles.
	Il met en garde contre les dangers qui, s'ils sont négligés, <b>vont</b> entraîner des blessures graves ou mortelles.
	Il met en garde contre les dangers qui, s'ils sont négligés, <b>pourraient</b> entraîner des blessures graves ou mortelles.
	Il met en garde contre les dangers qui, s'ils sont négligés, peuvent entraîner des blessures légères ou moyennes.
	Signale une instruction importante liée à la pompe. Le non-respect de ces instructions peut entraîner une défaillance de la pompe ou des dommages matériels.

	<b>Lire tous les manuels fournis avant d'utiliser le système de pompe. Suivre l'ensemble des consignes de sécurité décrites dans le (les) manuel(s) et celles qui apparaissent sur la pompe. Le non-respect de ces consignes pourrait entraîner des blessures graves ou mortelles.</b>
	<b>Message à l'installateur : le manuel doit demeurer auprès du propriétaire ou de l'opérateur/ responsable de l'entretien du système.</b>
<p>Garder ce manuel à portée de main pour référence future.</p> <p>Pour obtenir un manuel de remplacement, visiter le site <a href="http://libertypumps.com">libertypumps.com</a>, ou communiquer avec Liberty Pumps au 1-800-543-2550.</p> <p>Conserver le reçu de vente daté pour la garantie.</p>	<p>Enregistrer les informations de la plaque signalétique de la pompe:</p> <p>N° de modèle de pompe: _____</p> <p>N° de série de la pompe: _____</p> <p>Date de fabrication: _____</p> <p>Date d'installation: _____</p>

## Mesures de sécurité

### **AVERTISSEMENT** **RISQUE DE CHOC ELECTRIQUE**

- Un contact accidentel avec des pièces sous tension, des objets, du liquide ou de l'eau peut causer des blessures graves ou mortelles.
- Toujours débrancher la(les) pompe(s) de sa(leur) source d'alimentation avant de la(les) manipuler ou d'effectuer des réglages au niveau de la(des) pompe(s), du système de pompe ou du panneau de commande.
- Toute installation et entretien des pompes, des commandes, des dispositifs de protection et du câblage général doivent être effectués par du personnel qualifié.
- Toutes les pratiques électriques et de sécurité doivent être conformes au Code national de l'électricité<sup>MC</sup>, aux normes établies par la *Occupational Safety and Health Administration* (l'Administration de la sécurité et de la santé au travail) ou aux codes et ordonnances locaux applicables.
- La pompe doit être mise à la terre correctement à l'aide du conducteur de mise à la terre fourni. Ne pas contourner les fils de mise à la terre et ne pas retirer la broche de masse des fiches de branchement. Si le système de pompe n'est pas correctement mis à la terre, toutes les parties métalliques de la pompe et de son environnement pourraient être mises sous tension.
- Ne pas manipuler et ne pas débrancher la pompe avec les mains mouillées, en vous tenant sur une surface humide ou dans de l'eau à moins de porter un équipement de protection individuelle.
- Les connexions électriques submergées peuvent produire un courant électrique dans l'eau. Toujours porter des bottes diélectriques en caoutchouc et autres équipements de protection individuelle (EPI) en entretenant un système de pompe sous tension lorsqu'il y a de l'eau au sol. Ne pas circuler dans les endroits où le niveau d'eau est supérieur à la protection EPI ou si l'EPI n'est pas étanche.
- Ne pas soulever ni transporter une pompe ou un ensemble de flotteur par son cordon d'alimentation. Cela endommagera le cordon d'alimentation et pourrait exposer les fils sous tension électrique à l'intérieur du cordon d'alimentation.
- La prise d'alimentation électrique doit se trouver à la portée du cordon d'alimentation de la pompe et à au moins 4 pi (1,22 m) au-dessus du niveau du plancher dans le cas des installations sous le niveau du sol.
- N'utilisez pas ce produit pour les installations où les ouvriers peuvent entrer fréquemment en contact avec les liquides pompés (comme les piscines, les fontaines, les zones marines, etc.).
- Protéger le cordon d'alimentation de l'environnement. Les cordons d'alimentation et de commutation non protégés peuvent laisser l'eau traverser les extrémités et pénétrer dans les caissons de la pompe et des commutateurs, entraînant la mise sous tension de l'environnement.
- Cette pompe est fournie avec un conducteur de mise à la terre et une fiche de branchement de type mise à la terre. Afin de réduire les dangers d'électrocution, s'assurer que la

pompe est correctement mis à la terre avec un disjoncteur de fuite de terre (différentiel) qui conforme aux plus récentes normes UL 943, notamment les dispositions sur la fin de vie utile et les mauvais raccordements de lignes de charge. Fonction de surveillance automatique ou d'auto-test et fonction de mise en échec de charge de ligne inversée - répétée.

### **AVERTISSEMENT** **RISQUE D'INCENDIE**

- Ne pas utiliser de rallonge électrique pour alimenter le dispositif. Les rallonges peuvent surcharger à la fois les fils d'alimentation du dispositif et des rallonges électriques. Les fils surchargés peuvent devenir très chauds et prendre feu.
- Ce produit nécessite un circuit de dérivation dédié, correctement protégé par un fusible et mis à la terre, dimensionné pour répondre aux exigences de tension et d'intensité de courant électrique de la pompe, conformément aux informations apparaissant sur la plaque signalétique. Les fils de circuit de dérivation surchargés deviennent très chauds et peuvent prendre feu.
- Danger d'explosion durant l'installation. Les nettoyants à PVC, les apprêts et les colles peuvent dégager des vapeurs explosives. Ces émanations plus lourdes que l'air peuvent s'accumuler dans le réservoir. La chaleur dégagée lors du soudage des tuyaux en cuivre ou autre métal peut allumer ces vapeurs et causer une violente explosion. Si l'appareil doit être raccordé à un tuyau d'évacuation ou à un évent en cuivre, il faut laisser tous les joints en PVC collés sécher pendant au moins 24 heures. Il faut retirer le couvercle d'accès afin de bien ventiler le réservoir avant de souder les tuyaux en cuivre situés à proximité de l'appareil.
- Pour le remplacement du cordon: cordon d'alimentation doit être de la même longueur et du même type que ceux installés à l'origine sur le produit Liberty Pumps. L'utilisation d'un cordon non-conforme peut entraîner un dépassement de la tension nominale du cordon et causer la mort, des blessures graves ou toute autre défaillance importante.
- Ne pas utiliser ce produit avec ou près de liquides inflammables ou explosifs tels que l'essence, le mazout, le kérosène, etc. Des étincelles peuvent se produire si des éléments rotatifs à l'intérieur de la pompe heurtent un corps étranger. Les étincelles pourraient enflammer les liquides inflammables.
- Cette pompe ne doit pas être installée dans un endroit classé dangereux selon la norme ANSI/NFPA 70 du NEC (code national de l'électricité).

### **AVERTISSEMENT** **RISQUE DE BLESSURE GRAVE OU DE MORT**

- Ne pas modifier la pompe / le système de pompe de quelque façon que ce soit. Les modifications peuvent affecter les joints d'étanchéité, modifier la charge électrique de la pompe ou endommager la pompe et ses composants.
- Toutes les installations de pompes/systèmes de pompe doivent être conformes à tous les codes et ordonnances fédéraux, provinciaux et locaux applicables.
- Ne pas laisser les enfants jouer avec le système de pompe.
- Ne permettre à aucune personne non qualifiée d'être en contact avec ce système de pompe. Toute personne qui n'est pas consciente des dangers inhérents à ce dispositif, ou qui

n'a pas lu ce manuel, peut facilement être blessée en manipulant ou en étant en contact avec ce système de pompe.

- Ne pas retirer les étiquettes de la pompe ou de son cordon.
- Demeurer à l'écart des orifices d'aspiration et d'évacuation. Pour éviter toute blessure, ne jamais introduire les doigts dans la pompe pendant qu'il est connecté à une source d'alimentation.
- Ne pas utiliser ce produit pour pomper des liquides inflammables, explosifs ou corrosifs. Ne pas utiliser la pompe dans une atmosphère contenant des substances inflammables et/ou explosives au risque d'entraîner des blessures graves ou mortelles.
- Avertissement en vertu de la Proposition 65 de la Californie: Ce dispositif contient des produits chimiques reconnus par l'État de la Californie comme pouvant causer le cancer, des anomalies congénitales ou d'autres problèmes du système reproducteur. Pour plus d'informations, visiter le site [www.p65warnings.ca.gov](http://www.p65warnings.ca.gov).

#### AVIS

- ◆ **Modèle 404:** Ne pas utiliser ces pompes avec un liquide dont la température est supérieure à 60°C (140°F). Le pompage de liquides à des températures plus élevées peut entraîner une surchauffe et causer une panne de pompe.
- ◆ **Modèle 405:** Ne pas utiliser ces pompes avec un liquide dont la température est supérieure à 82°C (180°F). Le pompage de liquides à des températures plus élevées peut entraîner une surchauffe et causer une panne de pompe.
- ◆ Ne pas disposer de matériaux comme du solvant à peinture ou d'autres produits chimiques en les vidant dans l'avaloir, car ils peuvent attaquer chimiquement et endommager les composants de la pompe, causant éventuellement son mauvais fonctionnement ou sa défaillance.
- ◆ Ne pas utiliser le système de pompage avec de la boue, du sable, du ciment, des hydrocarbures, de la graisse ou des produits chimiques. De telles substances peuvent endommager les composants mécaniques et entraîner un fonctionnement défectueux ou une défaillance de la pompe et du système de pompage. De plus, une inondation peut se produire si ces substances obstruent la pompe ou la tuyauterie.
- ◆ Ne pas faire fonctionner à sec.

## Dimensions

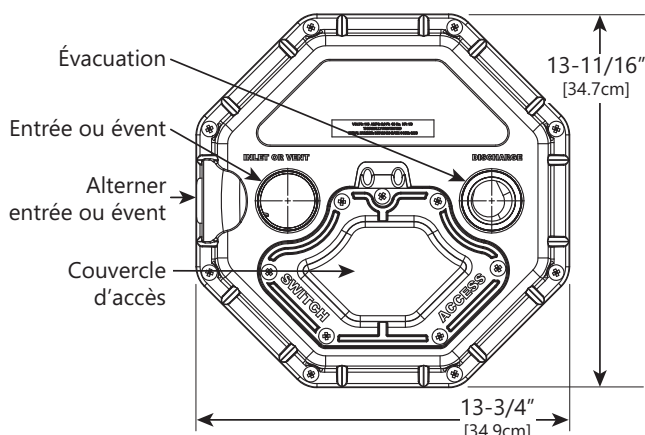


Figure 1. Modèles 404 et 405 dimensions de la couverture

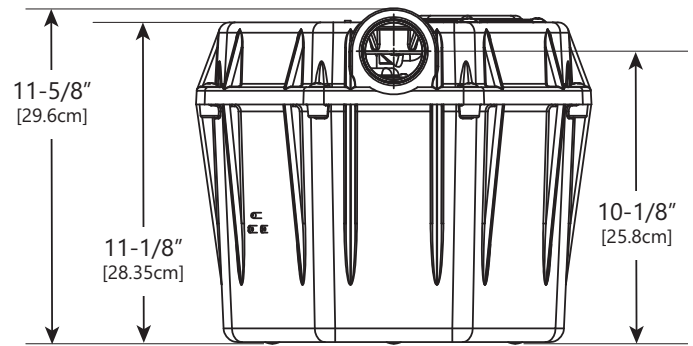


Figure 2. Modèle 404 dimensions du bassin

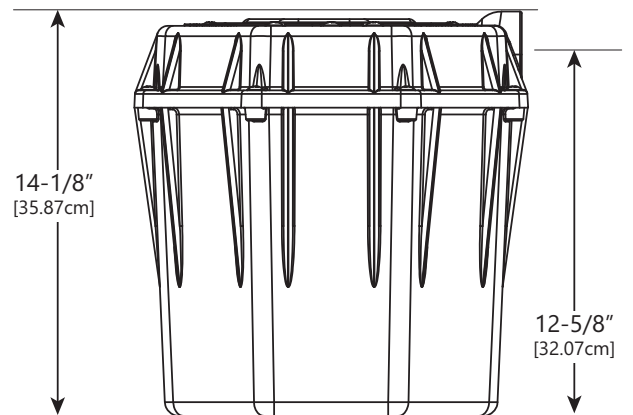


Figure 3. Modèle 405 dimensions du bassin

## Utilisation

Les pompes d'évacuation des séries 404 et 405 sont conçues pour une utilisation dans les eaux usées. Elles peuvent tolérer de petits débris et solides, tels les fibres de buanderie (jusqu'à 10 mm [3/8 po]) associés à l'évacuation normale des eaux usées d'un évier. Les plus gros solides ne doivent pas pénétrer dans le système de la pompe. La série 405 est conçue pour une utilisation commerciale avec des eaux d'évacuation d'une température supérieure (jusqu'à 180 degrés F).

## Installation

### Entrée

La pompe est dotée de deux orifices : un sur le dessus et un sur le côté; ils peuvent tous deux être utilisés pour l'aération ou l'entrée. Raccorder le luminaire (c.-à-d., la cuve à lessive, l'évier du sous-sol, la machine à laver) à la pompe à l'aide de la tuyauterie appropriée (38 mm [1½ po] pour le modèle 404 et 51 mm [2 po] pour les modèles 404L et 405). Reportez-vous à la Figure 4 pour une installation typique.

#### AVIS

- ◆ Resserrer à la main seulement
- ◆ Ne pas trop serrer ni fausser les filets

Un conduit de type bride (recommandé) doit être utilisé entre l'accessoire et la pompe.

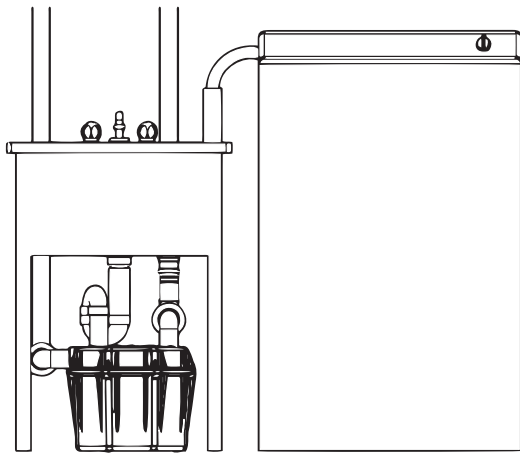


Figure 4. Installation résidentielle type

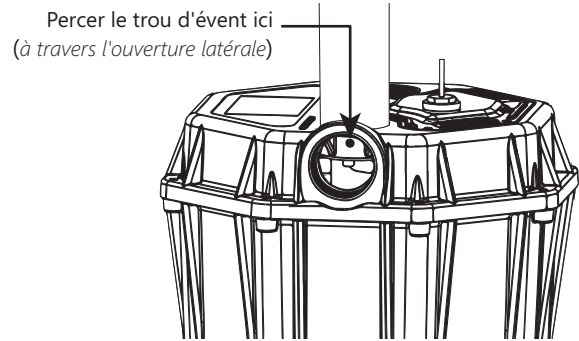


Figure 5. Emplacement du trou d'évent (unités d'alarme seulement)

## Évacuation

### AVIS

- ◆ Resserrer à la main seulement
- ◆ Utiliser un agent d'étanchement des filets ou du ruban de teflon
- ◆ Ne pas trop serrer ni fausser les filets

Installer un raccord juste au-dessus de la pompe pour en faciliter le retrait s'il devient nécessaire de la nettoyer ou de la réparer. Installer un clapet anti-retour (non inclus sauf pour les modèles CV listés ci-dessous) tout juste au-dessus du raccord (aussi près que possible de la pompe) pour éviter le refoulement d'eau après chaque cycle de la pompe.

### Clapet antiretour pour les modèles CV

Les modèles 404/CV, 404CV/A et 404CV/A-EYE sont munis d'un clapet antiretour afin de respecter les normes ASME112.3.4/CSAB45.9. Ce clapet antiretour doit être vissé dans l'orifice d'évacuation du couvercle du modèle 404.

## Évent

### AVIS

- ◆ Resserrer à la main seulement
- ◆ Ne pas boucher l'évent
- ◆ Ne pas utiliser d'évent rapide unidirectionnel ni de soupape d'admission d'air, car ils ne sauraient garantir un fonctionnement adéquat de l'appareil

Une colonne de ventilation secondaire est prévue pour permettre plus de volume en présence de grandes quantités de mousse et assurer un écoulement adéquat de l'accessoire. Le tuyau d'évent doit être doté d'un raccord afin de faciliter son retrait (le cas échéant) et être raccordé directement au bâtiment ou à l'évent de la maison.

### Trou d'air d'admission (unités d'alarme seulement)

Si l'orifice supérieur (trou) est utilisé pour l'évent, il existe un risque de formation d'une poche d'air qui empêcherait l'activation du flotteur d'alarme. Une fois le conduit d'évacuation installé, il est recommandé de percer un trou de 1/8 po à travers l'unité et le conduit d'évacuation pour permettre à l'air de s'échapper. Reportez-vous à la Figure 5.

## Cordon d'alimentation



AVERTISSEMENT



RISQUE DE CHOC ELECTRIQUE

- Toutes les pratiques électriques et de sécurité doivent être conformes au Code national de l'électricité<sup>MC</sup>, aux normes établies par la *Occupational Safety and Health Administration* (l'Administration de la sécurité et de la santé au travail) ou aux codes et ordonnances locaux applicables.
- Toujours débrancher la(les) pompe(s) de sa(leur) source d'alimentation avant de la(les) manipuler ou d'effectuer des réglages au niveau de la(des) pompe(s), du système de pompe ou du panneau de commande.
- La pompe doit être mise à la terre correctement à l'aide du conducteur de mise à la terre fourni. Ne pas contourner les fils de mise à la terre et ne pas retirer la broche de masse des fiches de branchement. Si le système de pompe n'est pas correctement mis à la terre, toutes les parties métalliques de la pompe et de son environnement pourraient être mises sous tension.
- La prise d'alimentation électrique doit se trouver à la portée du cordon d'alimentation de la pompe et à au moins 4 pi (1,22 m) au-dessus du niveau du plancher dans le cas des installations sous le niveau du sol.



AVERTISSEMENT



RISQUE D'INCENDIE

- Ne pas utiliser de rallonge électrique pour alimenter le dispositif. Les rallonges peuvent surcharger à la fois les fils d'alimentation du dispositif et des rallonges électriques. Les fils surchargés peuvent devenir très chauds et prendre feu.

Le cordon d'alimentation électrique de la pompe est muni d'un conducteur de mise à la terre et d'une fiche de branchement de type mise à la terre à trois broches. Il devrait être branché à une prise à trois fils avec fusibles indépendants et mise à la terre d'une intensité de 15 ampères dont la tension convient au modèle. Vérifier la tension de pompe appropriée (tous les modèles sont en 115 V, sauf le 405 HV en 230 V). Reportez-vous à la plaque signalétique de la pompe pour vérifier les spécifications électriques.

## Alarme

Les modèles 404 et 405 avec /A ou /A-EYE sont vendus avec une alarme Liberty Pumps. Pour connaître le mode d'emploi de cette alarme, prière de consulter le manuel inclus.

## Opération

Les pompes de modèles 404 et 405 sont équipées en usine d'un interrupteur à flotteur sur la paroi du réservoir. Ces modèles sont munis de deux cordons : l'un relié à l'interrupteur à flotteur (interrupteur à flotteur illustré à la Figure 7) et l'autre au moteur de la pompe. Le cordon de l'interrupteur est muni d'un connecteur en série (siamois) permettant de brancher le cordon de la pompe sur son dos (voir Figure 6). Ce système a pour but de permettre le fonctionnement manuel temporaire de la pompe.

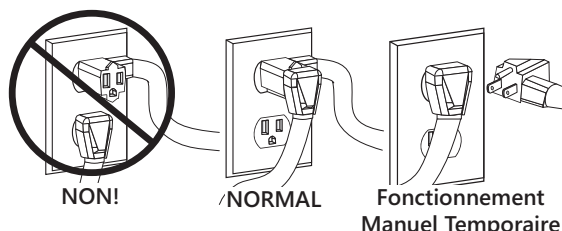


Figure 6. Utilisation de l'interrupteur/du cordon d'alimentation

Pour un fonctionnement automatique, les deux cordons doivent être interconnectés et branchés dans une prise d'une intensité en ampères suffisante pour le modèle de pompe choisi, avec fusibles indépendants et mise à la terre. (Consulter la plaque signalétique de la pompe pour connaître les caractéristiques électriques du modèle.) Les deux cordons sont munis de fiches à trois broches et doivent être branchés dans une prise à trois broches avec mise à la terre adéquate.

Pour permettre le fonctionnement manuel, ou en cas de défaillance de l'interrupteur, le cordon de la pompe peut être séparé et branché dans la prise électrique, en contournant directement l'interrupteur. On doit uniquement faire fonctionner les pompes 405HV monophasées sans l'interrupteur à flotteur en utilisant le disjoncteur ou l'interrupteur du panneau.

## Entretien et dépannage

### **AVERTISSEMENT** **RISQUE DE CHOC ELECTRIQUE**

- Toujours débrancher la(les) pompe(s) de sa(leur) source d'alimentation avant de la(les) manipuler ou d'effectuer des réglages au niveau de la(des) pompe(s), du système de pompe ou du panneau de commande.

Chaque appareil est testé individuellement en usine pour assurer un bon réglage et un fonctionnement adéquat. Si l'appareil ne fonctionne pas correctement, relire les directives pour s'assurer qu'elles ont été correctement suivies. Les pièces de rechange pour ce produit sont disponibles à <http://www.libertypumps.com/Services/Replacement-Parts>.

Il n'est pas nécessaire d'effectuer des travaux réguliers d'entretien sur la pompe en elle-même, mais les raccordements peuvent occasionnellement en nécessiter. Les charpies et les corps étrangers devraient être retirés régulièrement du conduit. Une vérification du clapet antiretour du tuyau d'évacuation devrait également être faite pour s'assurer de son libre fonctionnement.

La pompe est automatiquement actionnée et éteinte grâce à un interrupteur à flotteur situé à l'intérieur du réservoir. L'interrupteur peut facilement être retiré et son fonctionnement vérifié en retirant le couvercle d'accès situé sur le dessus de l'appareil. Une fois le couvercle d'accès retiré, un bouchon de caoutchouc doit être soulevé afin de libérer le cordon de l'interrupteur. L'interrupteur est monté sur une tige qui peut être retirée en soulevant ou en tirant vers l'avant.

**IMPORTANT** : Ne pas modifier la longueur de la sangle. S'il est nécessaire de remplacer l'interrupteur, veiller à ce que la longueur de la sangle demeure adéquate pour le modèle. La longueur de la sangle représente la longueur de cordon entre la pince et le flotteur. Se référer à la Figure 7.

Table 1. Matrice de dépannage

Problème	Cause possible	Mesure correctrice
La pompe refuse de s'allumer ou s'éteindre.	Fusible brûlé ou autre interruption d'alimentation, tension inadéquate.	S'assurer que le branchement de l'appareil est sécuritaire. Demander à un électricien de vérifier tous les câbles au niveau des branchements et de s'assurer que la capacité est adéquate.
	Évent bouché ou évent rapide en utilisation.	S'assurer qu'un évent dégagé d'un diamètre d'au moins 32 mm (1¼ po) est utilisé. Il ne faut pas utiliser d'évent rapide.
	Interrupteur défectueux ou accumulation sur la paroi du réservoir restreignant le mouvement libre de l'interrupteur à flotteur.	*Retirer le couvercle du réservoir et vérifier si le flotteur bouge librement. Si une accumulation limite les mouvements du flotteur, nettoyer et réinstaller. Remplacer l'interrupteur s'il est défectueux.

Table 1. Matrice de dépannage

Problème	Cause possible	Mesure correctrice
La pompe tourne ou gronde, mais ne pompe pas.	Conduits d'évacuation bloqués ou restreints.	Vérifier dans la canalisation d'évacuation qu'il n'y ait pas de blocage, y compris la formation de glace si la canalisation se trouve dans des zones froides ou les traverse.
	Clapet antiretour bloqué en position fermée ou incorrectement installé.	Retirer et vérifier qu'il fonctionne librement et qu'il est bien installé.
	Capacité de charge ascensionnelle totale atteinte (voir Figure 8)	Essayer de rediriger le tuyau à un niveau inférieur. Si ce n'est pas possible, une autre station de pompage pourrait être nécessaire à une charge ascensionnelle d'environ la moitié.
	Rotor de la pompe bloqué.	*Démonter le contenant et la base de la pompe. Retirer les corps étrangers. Remonter.
	Tuyau ou conduit d'entrée bloqué.	Vérifier le conduit et le tuyau d'entrée pour voir ce qui cause le blocage.
Cycles courts de la pompe.	Évent bouché ou évent rapide en utilisation.	S'assurer qu'un évent dégagé d'un diamètre d'au moins 32 mm (1¼ po) est utilisé. Il ne faut pas utiliser d'évent rapide.
	Interrupteur défectueux.	*Retirer le couvercle du réservoir et vérifier si le flotteur bouge librement. Si une accumulation limite les mouvements du flotteur, nettoyer et réinstaller. Remplacer l'interrupteur s'il est défectueux.
	Clapet antiretour non installé, bloqué en position ouverte ou qui fuit.	Retirer et vérifier qu'il fonctionne librement et qu'il est bien installé.
La pompe tourne périodiquement lorsque les accessoires ne sont pas utilisés.	Clapet antiretour non installé, bloqué en position ouverte ou qui fuit.	Retirer et vérifier qu'il fonctionne librement et qu'il est bien installé.
	Robinets qui fuient.	Réparer les robinets pour éliminer les fuites.
De l'eau ou de la mousse sort du tuyau d'évent.	Tuyau d'évent trop court ou de diamètre trop petit.	S'assurer qu'un évent dégagé d'un diamètre d'au moins 32 mm (1¼ po) est utilisé.
	Interrupteur défectueux.	*Retirer le couvercle du réservoir et vérifier si le flotteur bouge librement. Si une accumulation limite les mouvements du flotteur, nettoyer et réinstaller. Remplacer l'interrupteur s'il est défectueux.
	Débit entrant qui dépasse la capacité d'évacuation de la pompe.	Utiliser la soupape de l'orifice d'entrée pour diminuer le débit entrant.
La pompe fait du bruit.	Corps étrangers dans les cavités du rotor.	*Démonter le contenant et la base de la pompe. Retirer les corps étrangers. Remonter.
	Tuyau trop rigide raccordé à la structure de la maison.	Remplacer une partie du tuyau d'évacuation par un boyau de caoutchouc pour absorber le bruit.
La pompe refuse de s'allumer ou s'éteindre.	Fusible brûlé ou autre interruption d'alimentation, tension inadéquate.	S'assurer que le branchement de l'appareil est sécuritaire. Demander à un électricien de vérifier tous les câbles au niveau des branchements et de s'assurer que la capacité est adéquate.

**\*REMARQUE** : Liberty Pumps, Inc. n'est pas responsable des dommages ou blessures résultant d'un démontage sur place, au-delà du retrait du flotteur. Le démontage effectué ailleurs que chez Liberty Pumps ou à l'un de ses centres de services autorisés annule automatiquement la garantie.

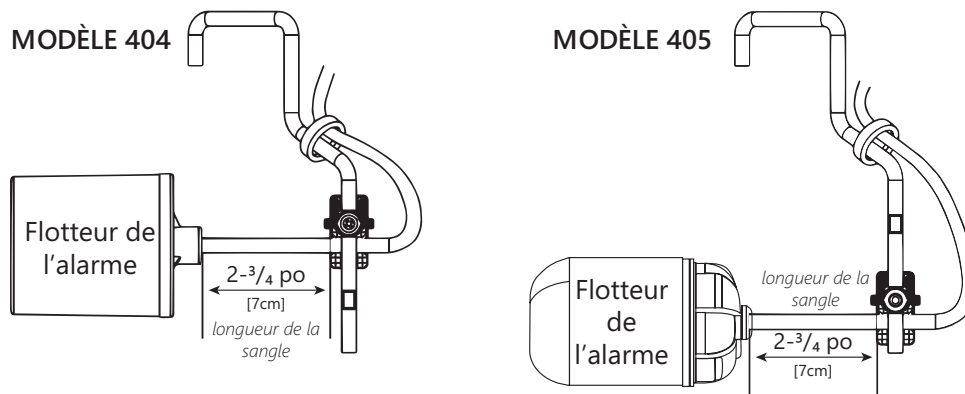


Figure 7. Longueur de la sangle de l'interrupteur à flotteur de la pompe

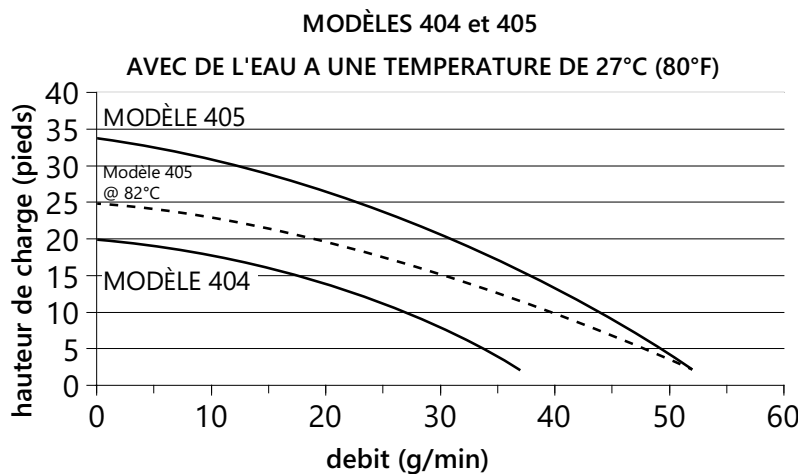


Figure 8. Courbes de rendement pour les modèles 404 et 405

## Garantie

### Liberty Pumps Wholesale Products Garantie limitée

Liberty Pumps, Inc. garantit que ses produits de gros sont exempts de tout défaut de matériau et de fabrication pour une période de trois (3) ans à partir de la date d'achat (à l'exception des batteries). La date d'achat est déterminée par un reçu de vente daté indiquant le modèle et le numéro de série de la pompe. Le reçu de vente daté doit accompagner la pompe retournée si la date de retour est supérieure de trois ans à la date de fabrication indiquée sur la plaque signalétique de la pompe.

L'obligation du fabricant en vertu de la présente garantie se limite à la réparation ou au remplacement de toute pièce jugée défectueuse par le fabricant, à condition que la pièce ou l'appareil soit retourné fret port payé au fabricant ou à son centre de service autorisé, et à condition qu'il n'y ait aucune preuve que les critères suivants annulant la garantie sont en cause:

Le fabricant ne sera pas responsable en vertu de la présente garantie si le produit n'a pas été installé, utilisé ou entretenu conformément aux instructions du fabricant; s'il a été démonté, modifié, dégradé ou altéré; si le cordon électrique a été coupé, endommagé ou épissé; si la sortie de la pompe a été réduite; si la

pompe a été utilisée à des températures d'eau supérieures à celles d'un service normal, ou dans de l'eau contenant du sable, de la chaux, du ciment, du gravier ou autres abrasifs; si le produit a été utilisé pour pomper des produits chimiques, de la graisse ou des hydrocarbures; si un moteur non submersible a été soumis à une humidité excessive; ou si l'étiquette portant le modèle et le numéro de série a été retirée.

Liberty Pumps, Inc. ne sera pas responsable des pertes, dommages ou dépenses découlant de l'installation ou de l'utilisation de ses produits, ni des dommages indirects, accessoires et consécutifs, y compris les coûts de retrait, de réinstallation ou de transport.

**Il n'y a aucune autre garantie expresse. Toute garantie implicite, y compris celles de qualité marchande et d'aptitude à une fin particulière, sont limitées à une durée de trois ans à partir de la date d'achat. La présente garantie comprend le recours exclusif de l'acheteur et exclut, lorsque permis par la loi, toute responsabilité pour dommages consécutifs ou accessoires en vertu de toutes autres garanties.**