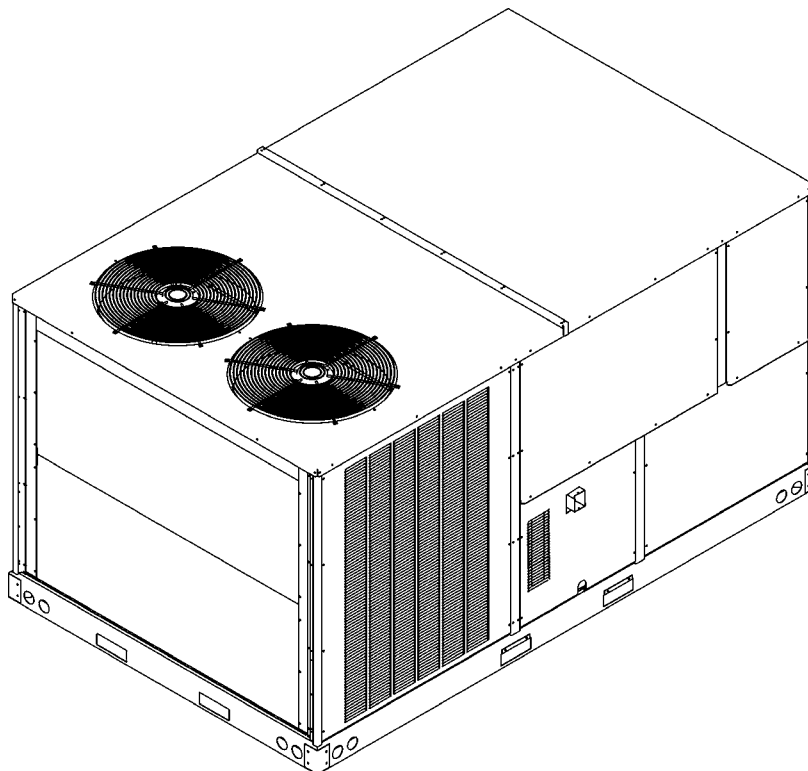


REPAIR PARTS

Light Commercial 3 Phase 7.5-12 Ton Package Gas

CPG0902103BXJXAA
CPG0902103BXXXAA
CPG0902103HXXXAA
CPG0902104BXJXAA
CPG0902104BXXXAA
CPG0902104HXXXAA
CPG1202103BXJXAA
CPG1202103BXSXAA
CPG1202103BXXXAA
CPG1202103HXXXAA
CPG1202104BXJXAA
CPG1202104BXSXAA
CPG1202104BXXXAA
CPG1202104HXXXAA
CPG1202107BXJXAA
CPG1202107BXSXAA
CPG1202107BXXXAA
CPG1502103BXSXAA
CPG1502103BXXXAA
CPG1502104BXSXAA
CPG1502104BXXXAA
CPG1502107BXSXAA
CPG1502107BXXXAA



This manual is to be used by qualified technicians only.

This manual replaces RP-477G

© 2008-2010 Goodman Manufacturing Company, L.P. ♦ 5151 San Felipe, Suite 500 ♦ Houston, TX 77056

Important Information

Index

Functional Parts List	3
Illustration and Parts	4 - 17

Views shown are for parts illustrations only, not servicing procedures.

Revision H: Added models CPG1202103BXSXAA and CPG1202104BXSXAA

Text Codes:

AR - As Required

NA - Not Available

NS - Not Shown

00000000 - See Note

QTY - Quantity Example (QTY 3) (If Quantity not shown, Quantity = 1)

M - Model Example (M1) (If M Code not shown, then part is used on all Models)

Expanded Model Nomenclature:

Example
M1 - Model#1
M2 - Model#2
M3 - Model#3

Goodman Manufacturing Company, L.P. is not responsible for personal injury or property damage resulting from improper service. Review all service information before beginning repairs.

Warranty service must be performed by an authorized technician, using authorized factory parts. If service is required after the warranty expires, Goodman Manufacturing Company, L.P. also recommends contacting an authorized technician and using authorized factory parts.

Goodman Manufacturing Company, L.P. reserves the right to discontinue, or change at any time, specifications or designs without notice or without incurring obligations.

For assistance within the U.S.A. contact:
Consumer Affairs Department
Goodman Manufacturing Company, L.P.
7401 Security Way
Houston, Texas 77040
877-254-4729-Telephone
713-863-2382-Facsimile

For assistance outside the U.S.A. contact:
International Division
Goodman Manufacturing Company, L.P.
7401 Security Way
Houston, Texas 77040
713-861-2500-Telephone
713-863-2382-Facsimile

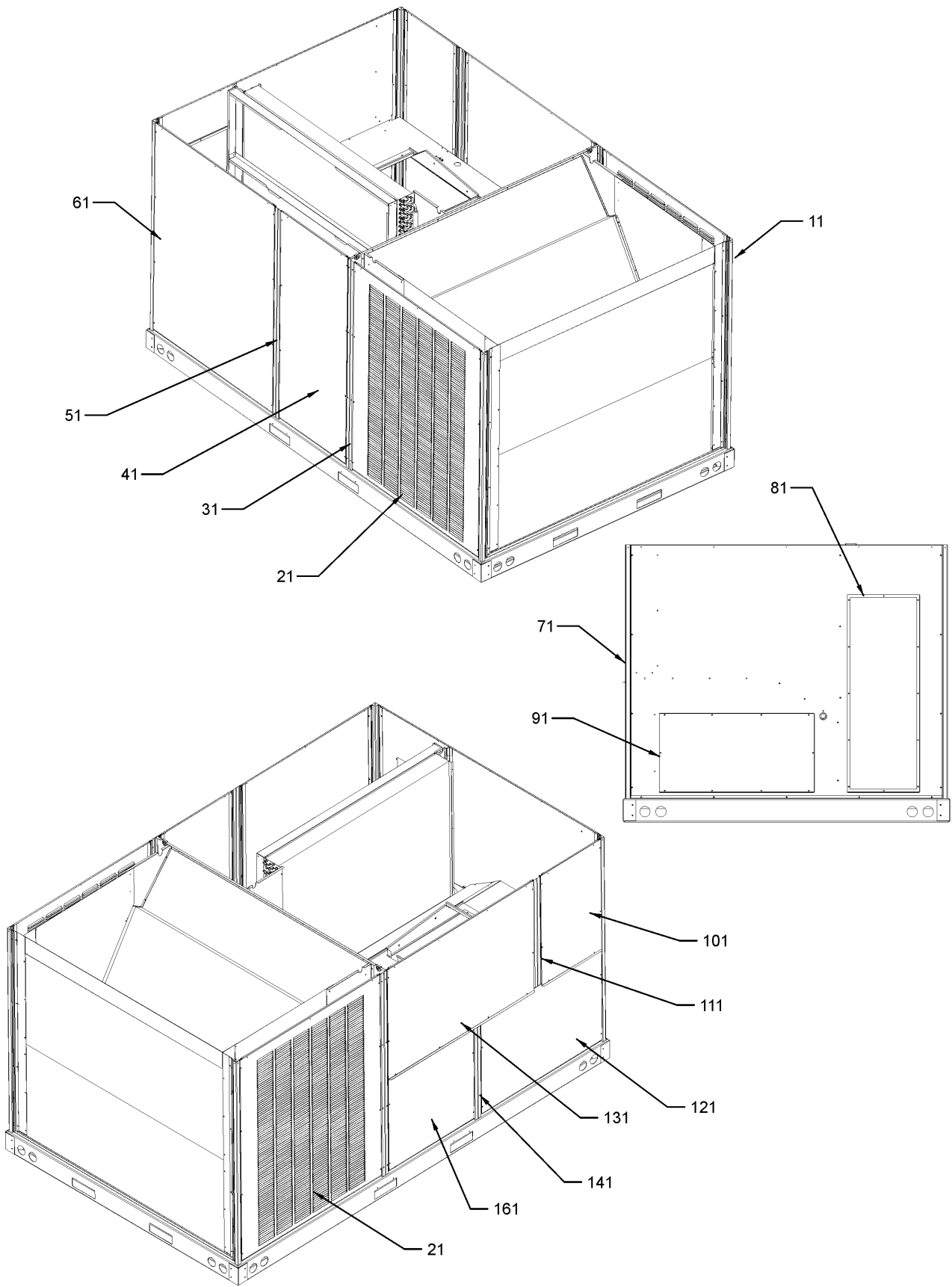
Functional Parts

Part

No: Description:

Part No:	Description:	Part No:	Description:
0130M00025S	24V RELAY	B1141663	TRANSFORMER 460V TO 230V, 150 VA (M4, M5, M6, M11, M12, M13, M14, M20, M21)
B3240007S	BELT DRIVE MOTOR 1.5 HP (M1, M2, M4, M5)	B1141672	TRANSFORMER 480V, 75VA, RESETTABLE (M1, M2, M3, M4, M5, M6, M7, M8, M9, M10, M11, M12, M13, M14, M18, M19, M20, M21)
B3240004	BELT DRIVE MOTOR 2 HP (M10, M14, M18, M19, M20, M21)	0130M00044S	TRANSFORMER 575/230V (M15, M16, M17, M22, M23)
B3240006	BELT DRIVE MOTOR 2 HP (M3, M6, M7, M8, M9, M11, M12, M13)	0130M00045S	TRANSFORMER 575/24V (M15, M16, M17, M22, M23)
0131L00005	BELT DRIVE MOTOR 2 HP 575 V (M15, M16, M17)	0131L00002S	VENT MOTOR
0131L00006	BELT DRIVE MOTOR 3 HP 575 V (M22, M23)		
CAP050000370VAS	CAPACITOR 5/370V (QTY 2)		
ZP39K5ETF5830	COMPRESSOR 39000, 200/230/60/3 (M1, M2, M3)	SPECIAL PARTS	
ZP39K5ETFD830	COMPRESSOR 39000, 460/60/3 (M4, M5, M6)	HI-122A	HOMEOWNER-INSTRUCTIONS
ZP51K5ETF5830	COMPRESSOR 51000, 208/230/60/3 (M7, M8, M9, M10)	IO-337J	INSTALLATION INSTUCTIONS
ZP51K5ETFD830	COMPRESSOR 51000, 460/60/3 (M11, M12, M13, M14)		Expanded Model Nomenclature
ZP51K5ETFE830	COMPRESSOR 51000, 575/60/3 (M15, M16, M17)		M1 - CPG0902103BXJXAA
ZP67KCETFD830	COMPRESSOR 67000, 460/60/3 (M20, M21)		M2 - CPG0902103BXXXAA
ZP67KCETF5830	COMPRESSOR 67500, 200/230/60/3 (M18, M19)		M3 - CPG0902103HXXXAA
ZP67KCETFE830	COMPRESSOR 67500, 575/60/3 (M22, M23)		M4 - CPG0902104BXJXAA
0131M00008PS	COND MOTOR 1/3 HP, 1 SP, 6 PL (M7, M8, M9, M10, M18, M19)		M5 - CPG0902104BXXXAA
B13400249S	COND MOTOR 1/3 HP, 460V (M11, M12, M13, M14, M20, M21)		M6 - CPG0902104HXXXAA
0131M00179S	COND MOTOR 1/3 HP, 6 PL, 575V (M15, M16, M17, M22, M23)		M7 - CPG1202103BXJXAA
0131M00007PS	COND MOTOR 1/4 HP, 1 SP, 6 PL (M1, M2, M3)		M8 - CPG1202103BXSXAA
B13400269S	COND MOTOR 380/460 50/60 CYCLE (M4, M5, M6)		M9 - CPG1202103BXXXAA
CONT3P025024VS	CONTACTOR 25 AMP, 3P, 24V (M1, M2, M3, M4, M5, M6, M7, M8, M9, M10, M11, M12, M13, M14, M15, M16, M17, M20, M21, M22, M23)		M10 - CPG1202103HXXXAA
CONT3P030024VS	CONTACTOR 30 AMP, 3P, 24V (M18, M19)		M11 - CPG1202104BXJXAA
0151L00000S	GAS VALVE, MANIFOLD (36H)		M12 - CPG1202104BXSXAA
PCBAG123S	IGNITION BOARD, DSI INTEGRATED		M13 - CPG1202104BXXXAA
10123532	MANUAL RESET LIMIT 350°F		M14 - CPG1202104HXXXAA
11112501S	PRESSURE SWITCH		M15 - CPG1202107BXJXAA
0130F00036	PRIMARY LIMIT - PINK (M18, M19, M20, M21, M22, M23)		M16 - CPG1202107BXSXAA
B1370187	PRIMARY LIMIT SWITCH 160°F (M18, M19, M20, M21, M22, M23)		M17 - CPG1202107BXXXAA
B1370199	PRIMARY LIMIT SWITCH 190°F (M1, M2, M3, M4, M5, M6, M7, M8, M9, M10, M11, M12, M13, M14, M15, M16, M17)		M18 - CPG1502103BXSXAA
20162904	PRIMARY LIMIT-TEMPERATURE CONTROL (M1, M2, M3, M4, M5, M6, M7, M8, M9, M10, M11, M12, M13, M14, M15, M16, M17)		M19 - CPG1502103BXXXAA
			M20 - CPG1502104BXSXAA
			M21 - CPG1502104BXXXAA
			M22 - CPG1502107BXSXAA
			M23 - CPG1502107BXXXAA

Cabinet Assembly



Cabinet Assembly

Ref. Part No: No:	Description:	Ref. Part No: No:	Description:
<i>Image 1:</i>		<i>Image 1:</i>	
11	0121L00065RFDG CORNER POST (M1, M2, M3, M4, M5, M6, M7, M8, M9, M10, M11, M12, M13, M14, M15, M16, M17)	131	0270L00174 INSULATED ASSY, BLOWER DOOR (M15, M16, M17)
11	0121L00487RFDG CORNER POST (M18, M19, M20, M21, M22, M23)	141	0121L00068RFDG POST-BURNER DOOR
21	0121L00115DG LOUVERED SIDE PANEL (M1, M2, M3, M4, M5, M6, M7, M8, M9, M10, M11, M12, M13, M14)	161	0121G00317DG BURNER DOOR (M1, M2, M3, M4, M5, M6, M7, M8, M9, M10, M11, M12, M13, M14)
21	0121L00386DG LOUVERED SIDE PANEL (M18, M19, M20, M21, M22, M23)	161	0121L00405DG BURNER DOOR (M15, M16, M17, M18, M19, M20, M21, M22, M23)
21	0121L00511DG LOUVERED SIDE PANEL (M15, M16, M17)	NS	0121L00129S DOOR RAIN SHIELD
31	0121L00066RFDG POST-SIDE SUPPORT (M1, M2, M3, M4, M5, M6, M7, M8, M9, M10, M11, M12, M13, M14, M15, M16, M17)	Expanded Model Nomenclature	
31	0121L00488RFDG POST-SIDE SUPPORT (M18, M19, M20, M21, M22, M23)	<div style="border: 1px solid black; padding: 5px;"> M1 - CPG0902103BXJXAA M2 - CPG0902103BXXXAA M3 - CPG0902103HXXXAA M4 - CPG0902104BXJXAA M5 - CPG0902104BXXXAA M6 - CPG0902104HXXXAA M7 - CPG1202103BXJXAA M8 - CPG1202103BXSXAA M9 - CPG1202103BXXXAA M10 - CPG1202103HXXXAA M11 - CPG1202104BXJXAA M12 - CPG1202104BXSXAA M13 - CPG1202104BXXXAA M14 - CPG1202104HXXXAA M15 - CPG1202107BXJXAA M16 - CPG1202107BXSXAA M17 - CPG1202107BXXXAA M18 - CPG1502103BXSXAA M19 - CPG1502103BXXXAA M20 - CPG1502104BXSXAA M21 - CPG1502104BXXXAA M22 - CPG1502107BXSXAA M23 - CPG1502107BXXXAA </div>	
41	0270L00038S INSULATED ASSY, FILTER DOOR (M1, M2, M3, M4, M5, M6, M7, M8, M9, M10, M11, M12, M13, M14)		
41	0270L00168 INSULATED ASSY, FILTER DOOR (M18, M19, M20, M21, M22, M23)		
41	0270L00176 INSULATED ASSY, FILTER DOOR (M15, M16, M17)		
51	0121L00116RFDG SIDE POST-FILTER DOOR (M1, M2, M3, M4, M5, M6, M7, M8, M9, M10, M11, M12, M13, M14, M15, M16, M17)		
51	0121L00382RFDG SIDE POST-FILTER DOOR (M18, M19, M20, M21, M22, M23)		
61	0270L00037S INSULATED ASSY, ECONOMIZER DOOR (M1, M2, M3, M4, M5, M6, M7, M8, M9, M10, M11, M12, M13, M14)		
61	0270L00167 INSULATED ASSY, ECONOMIZER DOOR (M18, M19, M20, M21, M22, M23)		
61	0270L00175 INSULATED ASSY, ECONOMIZER DOOR (M15, M16, M17)		
71	0270L00035S INSULATED ASSY, DUCT PANEL (M1, M2, M3, M4, M5, M6, M7, M8, M9, M10, M11, M12, M13, M14)		
71	0270L00164 INSULATED ASSY, DUCT PANEL (M18, M19, M20, M21, M22, M23)		
71	0270L00180 INSULATED ASSY, DUCT PANEL (M15, M16, M17)		
81	0270L00041S INSULATED ASSY, SUPPLY DUCT		
91	0270L00040S INSULATED ASSY, RETURN DUCT		
101	0121G00315DG CONTROL DOOR (M1, M2, M3, M4, M5, M6, M7, M8, M9, M10, M11, M12, M13, M14, M15, M16, M17)		
101	0270L00170 CONTROL DOOR (M18, M19, M20, M21, M22, M23)		
111	0121L00067RFDG POST-CONTROL DOOR (M1, M2, M3, M4, M5, M6, M7, M8, M9, M10, M11, M12, M13, M14, M15, M16, M17)		
111	0121L00491RFDG POST-CONTROL DOOR (M18, M19, M20, M21, M22, M23)		
121	0270L00039S INSULATED ASSY, HEAT EXCHANGER DOOR (M1, M2, M3, M4, M5, M6, M7, M8, M9, M10, M11, M12, M13, M14)		
121	0270L00169 INSULATED ASSY, HEAT EXCHANGER DOOR (M15, M16, M17, M18, M19, M20, M21, M22, M23)		
131	0270L00036S INSULATED ASSY, BLOWER DOOR (M1, M2, M3, M4, M5, M6, M7, M8, M9, M10, M11, M12, M13, M14)		
131	0270L00166 INSULATED ASSY, BLOWER DOOR (M18, M19, M20, M21, M22, M23)		

Top Panel / Tubing Assembly

Image 1

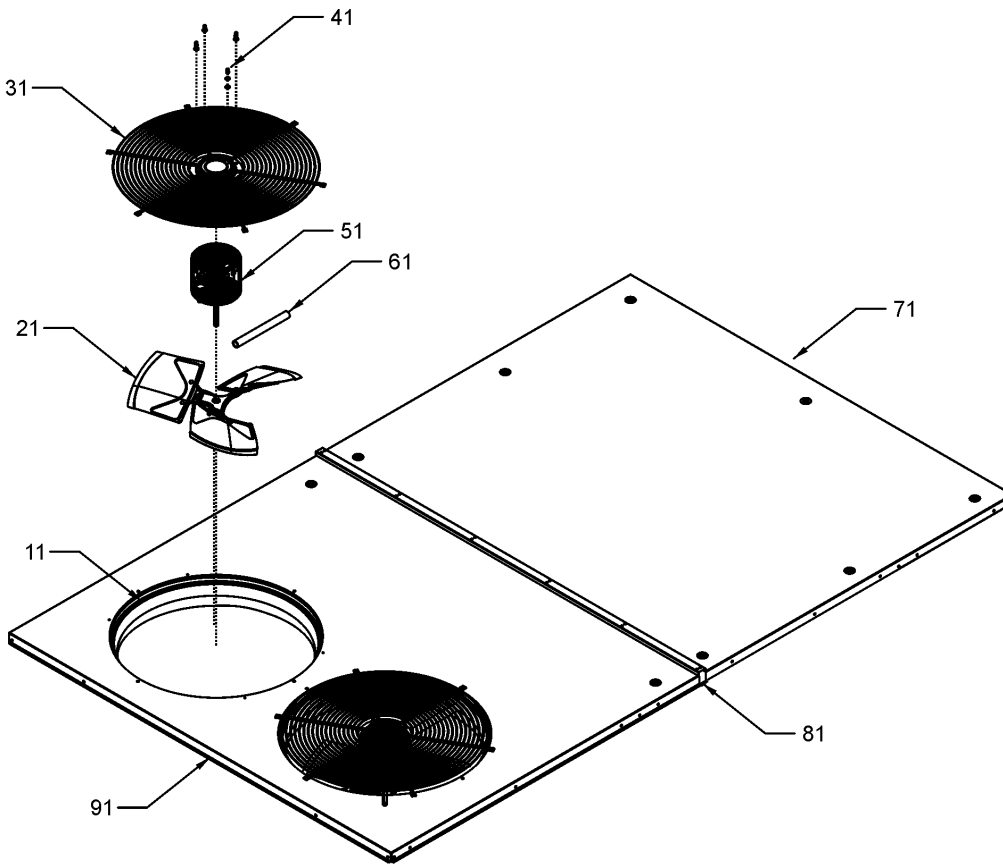
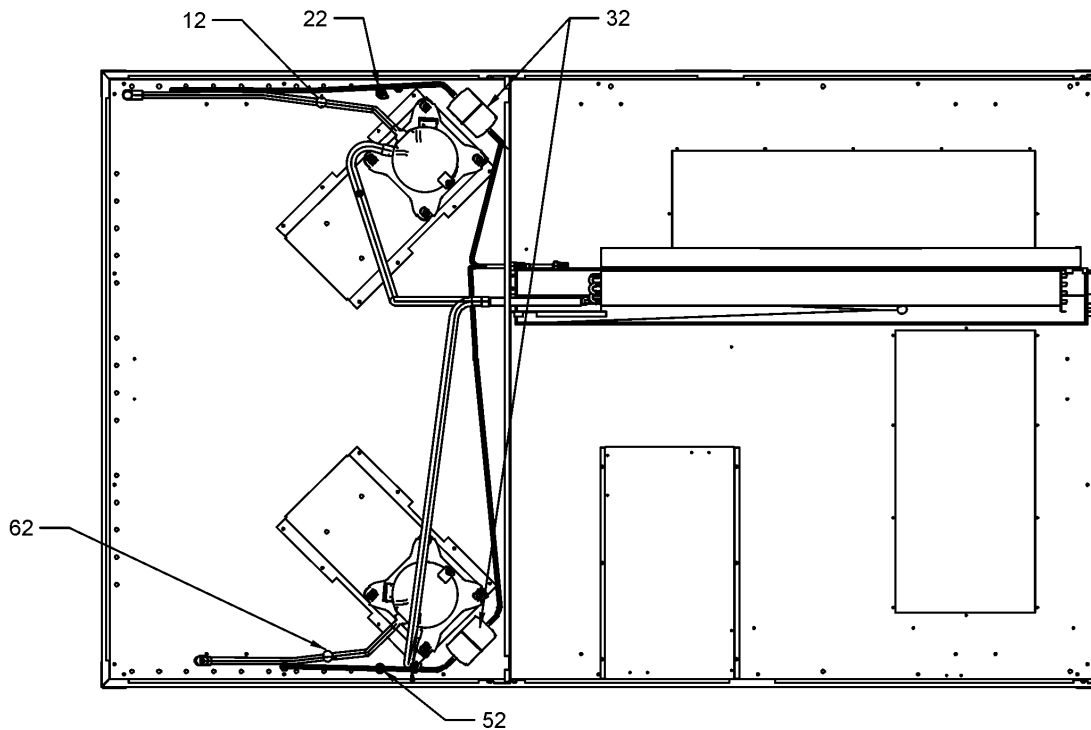


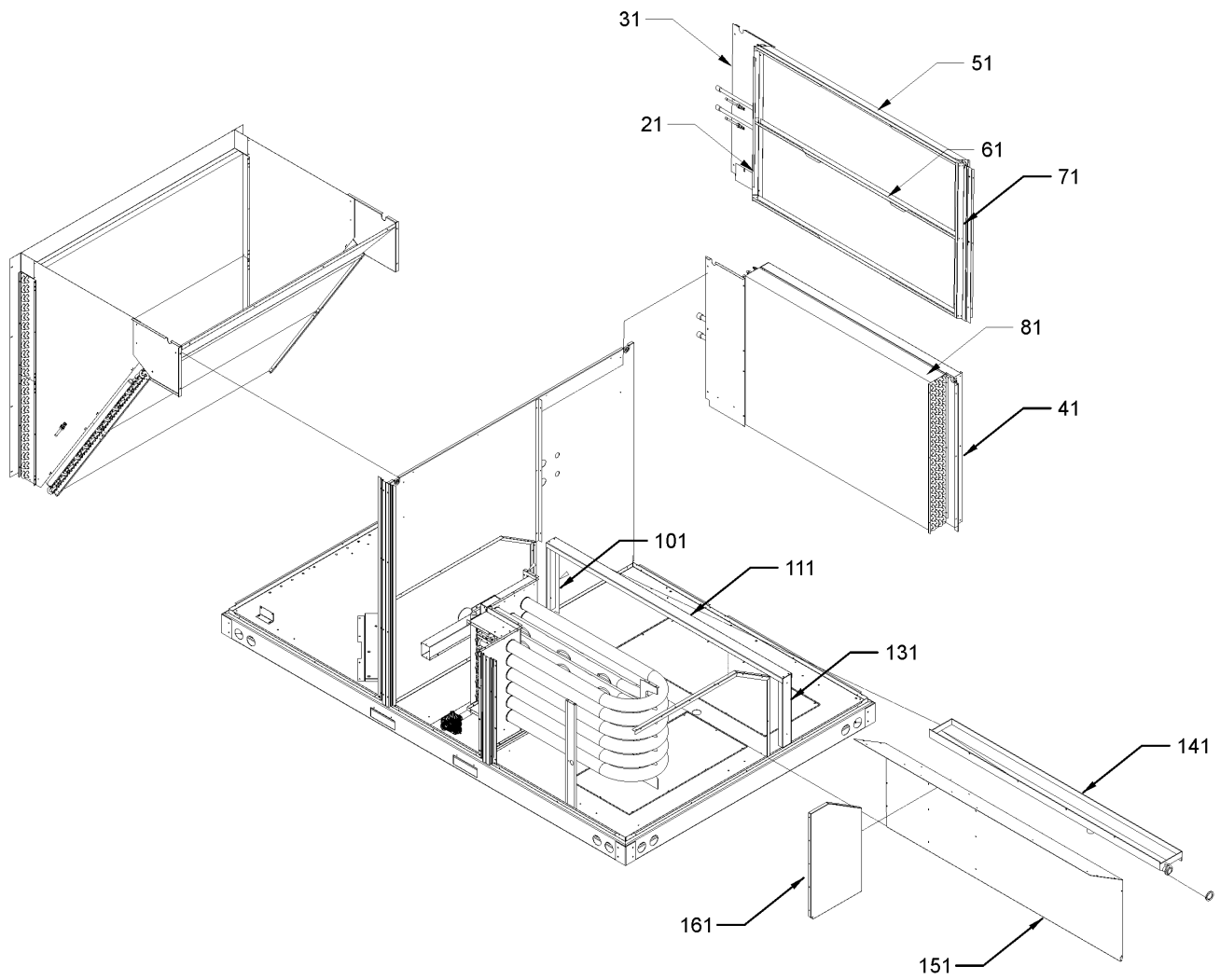
Image 2



Top Panel / Tubing Assembly

Ref. Part No: No:	Description:	Ref. Part No: No:	Description:																							
<i>Image 1:</i>		<i>Image 2:</i>																								
11	0161L00000 VENTURI RING 22" (QTY 2)	62	0130M00030S HIGH PRESSURE SWITCH, C2 (M1, M2, M3, M4, M5, M6, M7, M8, M9, M10, M11, M12, M13, M14, M15, M16, M17)																							
21	0150G00001S FAN BLADE (M1, M2, M3, M4, M5, M6)																									
21	10625733S FAN BLADE 22" ALUM CCW (M7, M8, M9, M10, M11, M12, M13, M14, M15, M16, M17, M18, M19, M20, M21, M22, M23)	62	0130M00074 HIGH PRESSURE SWITCH, C2 (M18, M19, M20, M21, M22, M23)																							
31	0152G00002S FAN GRILLE (QTY 2)	NS	B1373315 ACCESS FITTING (QTY 4)																							
41	0163M00006P ACORN NUT 5/16 HEX BLACK (QTY 8)	NS	B9102097 CAP W/O-RING (QTY 4)																							
51	0131M00008PS COND MOTOR 1/3 HP, 1 SP, 6 PL (M7, M8, M9, M10, M18, M19)	Expanded Model Nomenclature																								
51	B13400249S COND MOTOR 1/3 HP, 460V (M11, M12, M13, M14, M20, M21)	<table border="1"> <tr><td>M1 - CPG0902103BXJXAA</td></tr> <tr><td>M2 - CPG0902103BXXXAA</td></tr> <tr><td>M3 - CPG0902103HXXXAA</td></tr> <tr><td>M4 - CPG0902104BXJXAA</td></tr> <tr><td>M5 - CPG0902104BXXXAA</td></tr> <tr><td>M6 - CPG0902104HXXXAA</td></tr> <tr><td>M7 - CPG1202103BXJXAA</td></tr> <tr><td>M8 - CPG1202103BXSXAA</td></tr> <tr><td>M9 - CPG1202103BXXXAA</td></tr> <tr><td>M10 - CPG1202103HXXXAA</td></tr> <tr><td>M11 - CPG1202104BXJXAA</td></tr> <tr><td>M12 - CPG1202104BXSXAA</td></tr> <tr><td>M13 - CPG1202104BXXXAA</td></tr> <tr><td>M14 - CPG1202104HXXXAA</td></tr> <tr><td>M15 - CPG1202107BXJXAA</td></tr> <tr><td>M16 - CPG1202107BXSXAA</td></tr> <tr><td>M17 - CPG1202107BXXXAA</td></tr> <tr><td>M18 - CPG1502103BXSXAA</td></tr> <tr><td>M19 - CPG1502103BXXXAA</td></tr> <tr><td>M20 - CPG1502104BXSXAA</td></tr> <tr><td>M21 - CPG1502104BXXXAA</td></tr> <tr><td>M22 - CPG1502107BXSXAA</td></tr> <tr><td>M23 - CPG1502107BXXXAA</td></tr> </table>		M1 - CPG0902103BXJXAA	M2 - CPG0902103BXXXAA	M3 - CPG0902103HXXXAA	M4 - CPG0902104BXJXAA	M5 - CPG0902104BXXXAA	M6 - CPG0902104HXXXAA	M7 - CPG1202103BXJXAA	M8 - CPG1202103BXSXAA	M9 - CPG1202103BXXXAA	M10 - CPG1202103HXXXAA	M11 - CPG1202104BXJXAA	M12 - CPG1202104BXSXAA	M13 - CPG1202104BXXXAA	M14 - CPG1202104HXXXAA	M15 - CPG1202107BXJXAA	M16 - CPG1202107BXSXAA	M17 - CPG1202107BXXXAA	M18 - CPG1502103BXSXAA	M19 - CPG1502103BXXXAA	M20 - CPG1502104BXSXAA	M21 - CPG1502104BXXXAA	M22 - CPG1502107BXSXAA	M23 - CPG1502107BXXXAA
M1 - CPG0902103BXJXAA																										
M2 - CPG0902103BXXXAA																										
M3 - CPG0902103HXXXAA																										
M4 - CPG0902104BXJXAA																										
M5 - CPG0902104BXXXAA																										
M6 - CPG0902104HXXXAA																										
M7 - CPG1202103BXJXAA																										
M8 - CPG1202103BXSXAA																										
M9 - CPG1202103BXXXAA																										
M10 - CPG1202103HXXXAA																										
M11 - CPG1202104BXJXAA																										
M12 - CPG1202104BXSXAA																										
M13 - CPG1202104BXXXAA																										
M14 - CPG1202104HXXXAA																										
M15 - CPG1202107BXJXAA																										
M16 - CPG1202107BXSXAA																										
M17 - CPG1202107BXXXAA																										
M18 - CPG1502103BXSXAA																										
M19 - CPG1502103BXXXAA																										
M20 - CPG1502104BXSXAA																										
M21 - CPG1502104BXXXAA																										
M22 - CPG1502107BXSXAA																										
M23 - CPG1502107BXXXAA																										
51	0131M00179S COND MOTOR 1/3 HP, 6 PL, 575V (M15, M16, M17, M22, M23)																									
51	0131M00007PS COND MOTOR 1/4 HP, 1 SP, 6 PL (M1, M2, M3)																									
51	B13400269S COND MOTOR 380/460 50/60 CYCLE (M4, M5, M6)																									
61	17788000083F PVC CONDUIT 8.25" (QTY 2)																									
71	0121L00113DGS EVAP TOP PANEL (M1, M2, M3, M4, M5, M6, M7, M8, M9, M10, M11, M12, M13, M14, M18, M19, M20, M21, M22, M23)																									
71	0121L00497DG EVAP TOP PANEL (M15, M16, M17)																									
81	0121L00114DG SPLICE (M1, M2, M3, M4, M5, M6, M7, M8, M9, M10, M11, M12, M13, M14, M18, M19, M20, M21, M22, M23)																									
91	0121G00312DGS COND TOP PANEL																									
NS	0259L00096 COND MOTOR HARNESS (M18, M19, M22, M23)																									
NS	0259L00097 COND MOTOR HARNESS (M20, M21)																									
NS	0259L00025 COND MOTOR HARNESS 230V (M1, M2, M3, M7, M8, M9, M10, M15, M16, M17)																									
NS	0259L00027 COND MOTOR HARNESS 230V (M1, M2, M3, M7, M8, M9, M10, M15, M16, M17, M18, M19, M22, M23)																									
NS	0259L00026 COND MOTOR HARNESS 460V (M4, M5, M6, M11, M12, M13, M14)																									
NS	0259L00028 COND MOTOR HARNESS 460V (M4, M5, M6, M11, M12, M13, M14, M20, M21)																									
<i>Image 2:</i>																										
12	0130M00031S HIGH PRESSURE SWITCH, C1 (M1, M2, M3, M4, M5, M6, M7, M8, M9, M10, M11, M12, M13, M14, M15, M16, M17)																									
12	0130M00074 HIGH PRESSURE SWITCH, C1 (M18, M19, M20, M21, M22, M23)																									
22	0130L00003S LOW PRESSURE SWITCH, C1 (M1, M2, M3, M4, M5, M6, M7, M8, M9, M10, M11, M12, M13, M14, M15, M16, M17)																									
22	0130M00075 LOW PRESSURE SWITCH, C1 (M18, M19, M20, M21, M22, M23)																									
32	0151M00012 BI-FLOW FILTER DRIER (M18, M19, M20, M21, M22, M23)																									
32	B1219204 BI-FLOW FILTER DRIER (M1, M2, M3, M4, M5, M6, M7, M8, M9, M10, M11, M12, M13, M14, M15, M16, M17)																									
52	0130M00075 LOW PRESSURE SWITCH, C1 (M18, M19, M20, M21, M22, M23)																									
52	0130L00002S LOW PRESSURE SWITCH, C2 (M1, M2, M3, M4, M5, M6, M7, M8, M9, M10, M11, M12, M13, M14, M15, M16, M17)																									

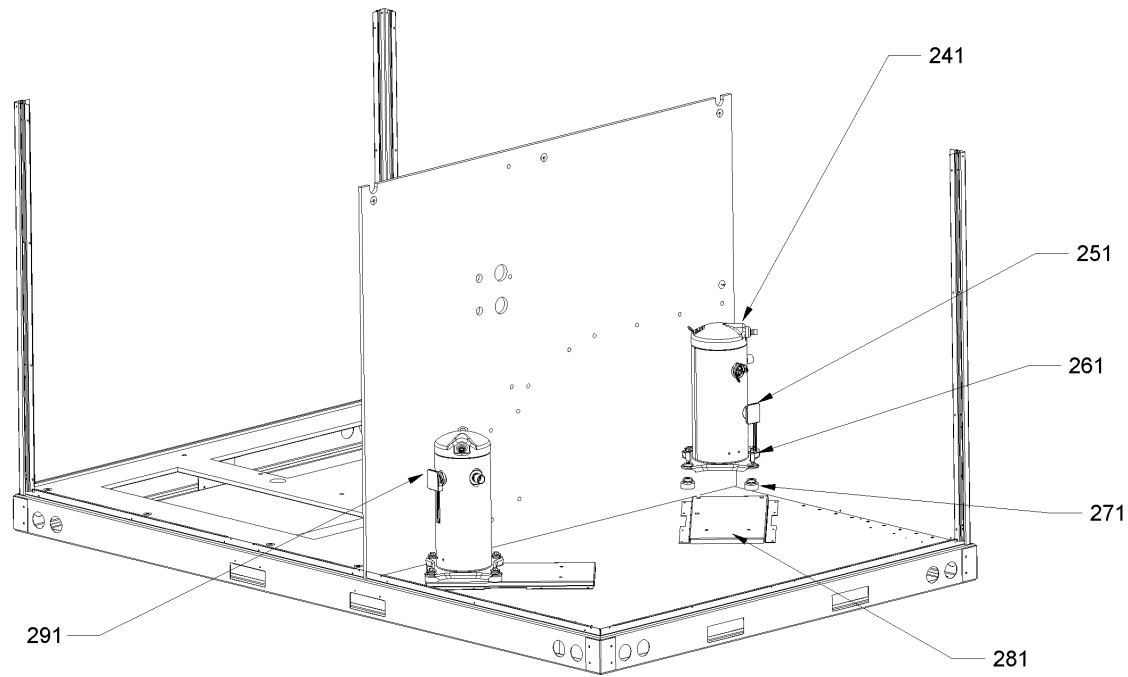
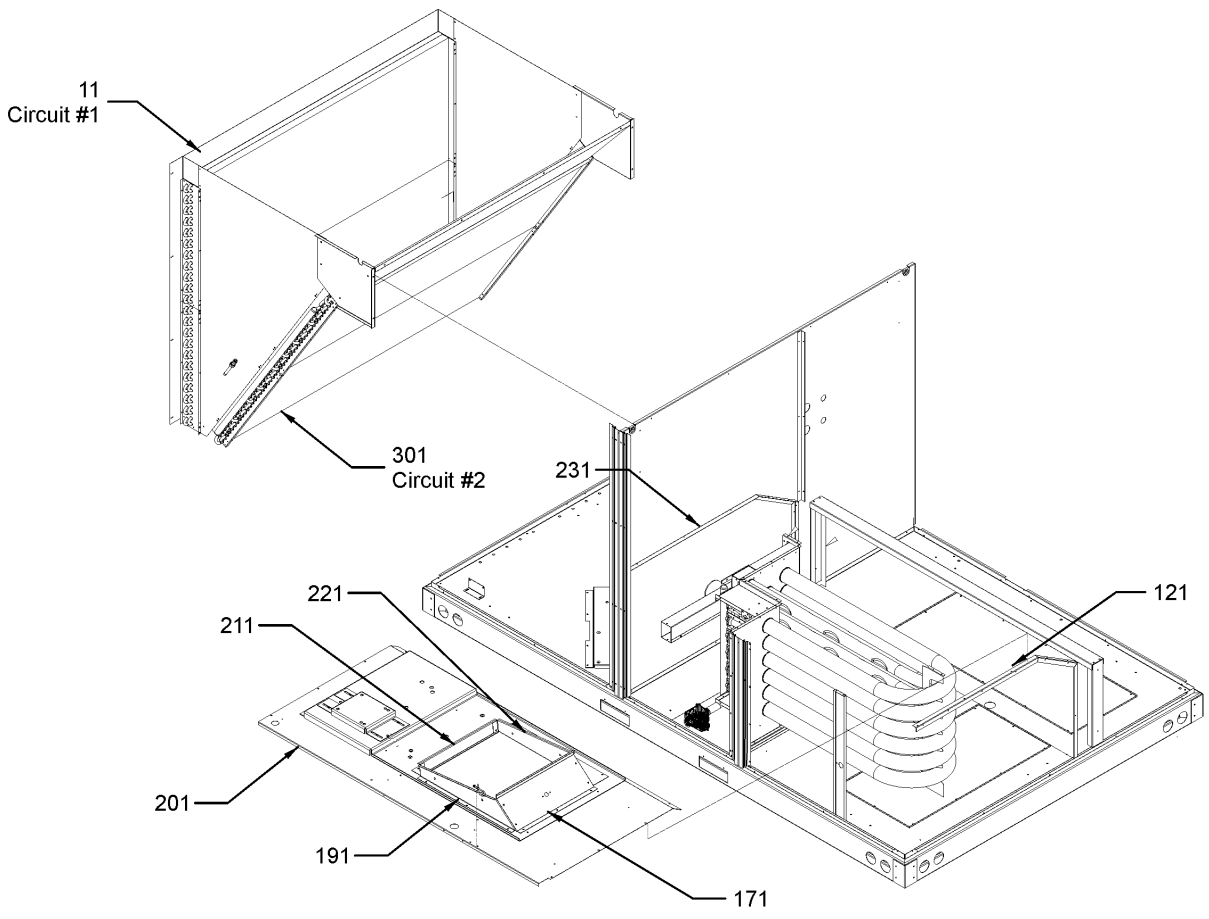
Evaporator / Partition Assembly



Evaporator / Partition Assembly

Ref. Part No:	No:	Description:	Ref. Part No:	No:	Description:																							
<i>Image 1:</i>			<i>Image 1:</i>																									
21	0121L00226	FILTER ANGLE-VERTICAL (RETURN SIDE) (M1, M2, M3, M4, M5, M6, M7, M8, M9, M10, M11, M12, M13, M14)	161	0121L00112	HEAT EXCHANGER BLOCK-OFF (M1, M2, M3, M4, M5, M6, M7, M8, M9, M10, M11, M12, M13, M14)																							
21	0121L00650	FILTER ANGLE-VERTICAL (RETURN SIDE) (M15, M16, M17)	161	0121L00522	HEAT EXCHANGER BLOCK-OFF (M15, M16, M17, M18, M19, M20, M21, M22, M23)																							
21	0270L00163	FILTER ANGLE-VERTICAL (RETURN SIDE) (M18, M19, M20, M21, M22, M23)	NS	0160L00021S	FILTER (M1, M2, M3, M4, M5, M6, M7, M8, M9, M10, M11, M12, M13, M14, M15, M16, M17)																							
31	0121L00517	BLOCKOFF-EVAPORATOR, RET END (M18, M19, M20, M21, M22, M23)	NS	B1369611	FILTER 20 X 25 X 2 (M18, M19, M20, M21, M22, M23)																							
31	0121L00209	EVAP EXTENSION-HAIRPIN SIDE (M1, M2, M3, M4, M5, M6, M7, M8, M9, M10, M11, M12, M13, M14, M15, M16, M17)	NS	0162L00003S	FLOWRATOR [EVAP] (M1, M2, M3, M4, M5, M6)																							
41	0121L00518	BLOCKOFF-EVAPORATOR, HPIN END (M18, M19, M20, M21, M22, M23)	NS	0162L00004S	FLOWRATOR [EVAP] (M15, M16, M17)																							
41	0121L00210	EVAP EXTENSION-RETURN SIDE (M1, M2, M3, M4, M5, M6, M7, M8, M9, M10, M11, M12, M13, M14, M15, M16, M17)	NS	0162L00011S	FLOWRATOR [EVAP] (M7, M8, M9, M10, M11, M12, M13, M14)																							
51	0121L00649	FILTER ANGLE - HORIZONTAL (M15, M16, M17)	NS	0162M00129	FLOWRATOR [EVAP] (M18, M19, M20, M21, M22, M23)																							
51	0121L00223	FILTER ANGLE-HORIZONTAL (M1, M2, M3, M4, M5, M6, M7, M8, M9, M10, M11, M12, M13, M14)	Expanded Model Nomenclature																									
51	0121L00399	FILTER ANGLE-HORIZONTAL (M18, M19, M20, M21, M22, M23)	<table border="1"> <tr><td>M1 - CPG0902103BXJXAA</td></tr> <tr><td>M2 - CPG0902103BXXXAA</td></tr> <tr><td>M3 - CPG0902103HXXXAA</td></tr> <tr><td>M4 - CPG0902104BXJXAA</td></tr> <tr><td>M5 - CPG0902104BXXXAA</td></tr> <tr><td>M6 - CPG0902104HXXXAA</td></tr> <tr><td>M7 - CPG1202103BXJXAA</td></tr> <tr><td>M8 - CPG1202103BXSXAA</td></tr> <tr><td>M9 - CPG1202103BXXXAA</td></tr> <tr><td>M10 - CPG1202103HXXXAA</td></tr> <tr><td>M11 - CPG1202104BXJXAA</td></tr> <tr><td>M12 - CPG1202104BXSXAA</td></tr> <tr><td>M13 - CPG1202104BXXXAA</td></tr> <tr><td>M14 - CPG1202104HXXXAA</td></tr> <tr><td>M15 - CPG1202107BXJXAA</td></tr> <tr><td>M16 - CPG1202107BXSXAA</td></tr> <tr><td>M17 - CPG1202107BXXXAA</td></tr> <tr><td>M18 - CPG1502103BXSXAA</td></tr> <tr><td>M19 - CPG1502103BXXXAA</td></tr> <tr><td>M20 - CPG1502104BXSXAA</td></tr> <tr><td>M21 - CPG1502104BXXXAA</td></tr> <tr><td>M22 - CPG1502107BXSXAA</td></tr> <tr><td>M23 - CPG1502107BXXXAA</td></tr> </table>			M1 - CPG0902103BXJXAA	M2 - CPG0902103BXXXAA	M3 - CPG0902103HXXXAA	M4 - CPG0902104BXJXAA	M5 - CPG0902104BXXXAA	M6 - CPG0902104HXXXAA	M7 - CPG1202103BXJXAA	M8 - CPG1202103BXSXAA	M9 - CPG1202103BXXXAA	M10 - CPG1202103HXXXAA	M11 - CPG1202104BXJXAA	M12 - CPG1202104BXSXAA	M13 - CPG1202104BXXXAA	M14 - CPG1202104HXXXAA	M15 - CPG1202107BXJXAA	M16 - CPG1202107BXSXAA	M17 - CPG1202107BXXXAA	M18 - CPG1502103BXSXAA	M19 - CPG1502103BXXXAA	M20 - CPG1502104BXSXAA	M21 - CPG1502104BXXXAA	M22 - CPG1502107BXSXAA	M23 - CPG1502107BXXXAA
M1 - CPG0902103BXJXAA																												
M2 - CPG0902103BXXXAA																												
M3 - CPG0902103HXXXAA																												
M4 - CPG0902104BXJXAA																												
M5 - CPG0902104BXXXAA																												
M6 - CPG0902104HXXXAA																												
M7 - CPG1202103BXJXAA																												
M8 - CPG1202103BXSXAA																												
M9 - CPG1202103BXXXAA																												
M10 - CPG1202103HXXXAA																												
M11 - CPG1202104BXJXAA																												
M12 - CPG1202104BXSXAA																												
M13 - CPG1202104BXXXAA																												
M14 - CPG1202104HXXXAA																												
M15 - CPG1202107BXJXAA																												
M16 - CPG1202107BXSXAA																												
M17 - CPG1202107BXXXAA																												
M18 - CPG1502103BXSXAA																												
M19 - CPG1502103BXXXAA																												
M20 - CPG1502104BXSXAA																												
M21 - CPG1502104BXXXAA																												
M22 - CPG1502107BXSXAA																												
M23 - CPG1502107BXXXAA																												
61	0121L00648	FILTER ANGLE - HORIZONTAL (CENTER) (M15, M16, M17)																										
61	0270L00161	FILTER ANGLE-HORIZONTAL (CENTER) (M18, M19, M20, M21, M22, M23)																										
61	0121L00224	FILTER RACK STRAP (M1, M2, M3, M4, M5, M6, M7, M8, M9, M10, M11, M12, M13, M14)																										
71	0121L00227	FILTER ANGLE-VERTICAL (HAIRPIN SIDE) (M1, M2, M3, M4, M5, M6, M7, M8, M9, M10, M11, M12, M13, M14)																										
71	0121L00358	FILTER ANGLE-VERTICAL (HAIRPIN SIDE) (M15, M16, M17)																										
71	0270L00185	FILTER ANGLE-VERTICAL (HAIRPIN SIDE) (M18, M19, M20, M21, M22, M23)																										
81	0202L00059	EVAPORATOR ASSY (M15, M16, M17)																										
81	0202L00004S	TUBING ASSY, EVAP COIL (M1, M2, M3, M4, M5, M6)																										
81	0202L00007S	TUBING ASSY, EVAP COIL (M7, M8, M9, M10, M11, M12, M13, M14)																										
81	0202L00044	TUBING ASSY, EVAP COIL (M18, M19, M20, M21, M22, M23)																										
101	0121L00089	SUPPORT LEG-DRAIN PAN (M1, M2, M3, M4, M5, M6, M7, M8, M9, M10, M11, M12, M13, M14)																										
111	0121L00086	DRAIN PAN SUPPORT (M1, M2, M3, M4, M5, M6, M7, M8, M9, M10, M11, M12, M13, M14)																										
111	0121L00372	DRAIN PAN SUPPORT (M18, M19, M20, M21, M22, M23)																										
111	0121L00508	DRAIN PAN SUPPORT (M15, M16, M17)																										
131	0121L00087	SUPPORT LEG-DRAIN PAN (M1, M2, M3, M4, M5, M6, M7, M8, M9, M10, M11, M12, M13, M14)																										
141	0161L00002	DRAIN PAN																										
151	0121L00105	DECK SIDE CHANNEL (M1, M2, M3, M4, M5, M6, M7, M8, M9, M10, M11, M12, M13, M14)																										
151	0121L00374	DECK SIDE CHANNEL (M15, M16, M17, M18, M19, M20, M21, M22, M23)																										

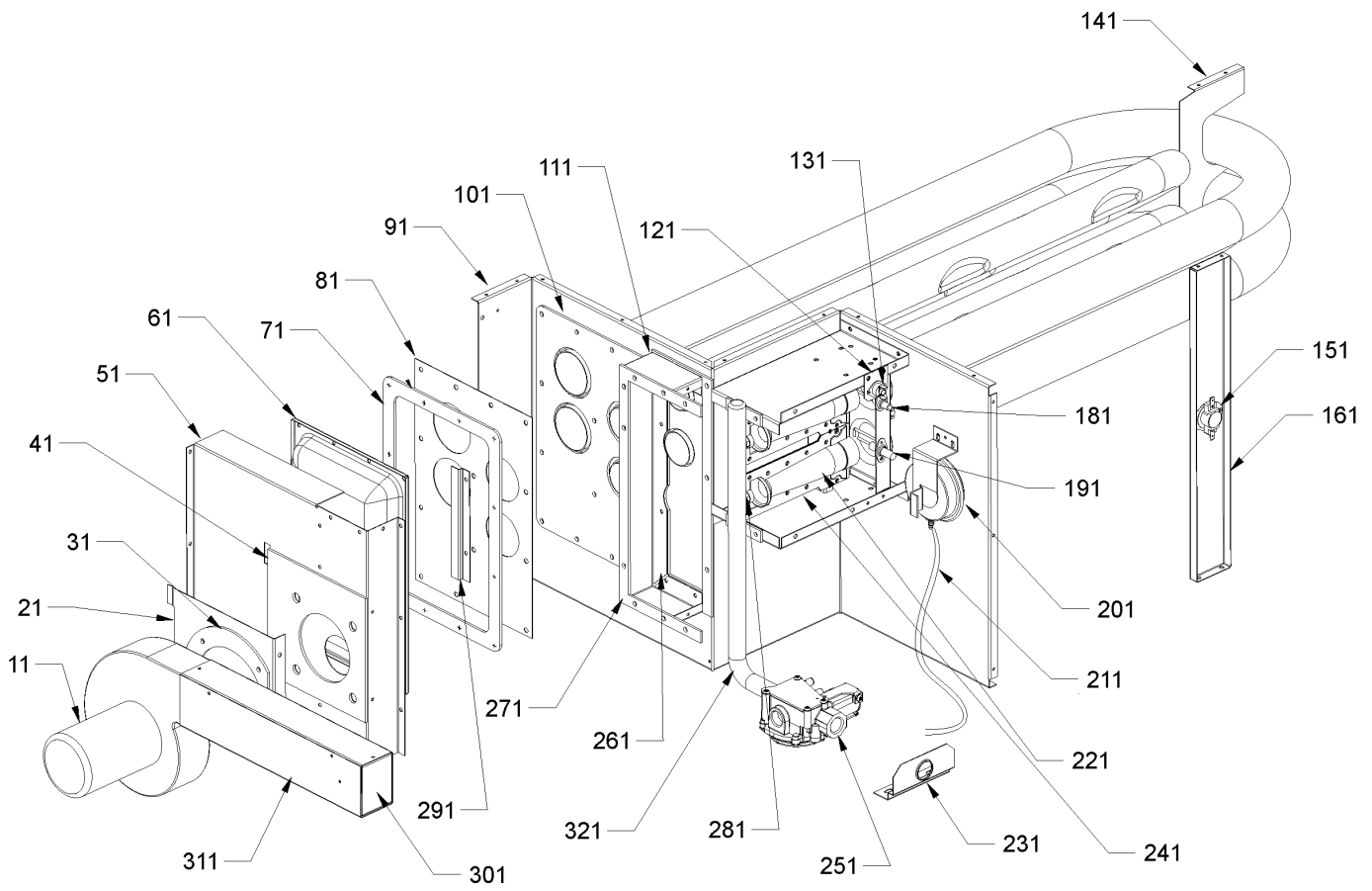
Condenser / Partition Assembly



Condenser / Partition Assembly

Ref. Part No:	No:	Description:	Ref. Part No:	No:	Description:																							
<i>Image 1:</i>			<i>Image 1:</i>																									
11	0201L00002S	TUBING ASSY, COND COIL (M2, M3, M5, M6)	291	0159L00005	COMPRESSOR SCROLL HARNESS (M1, M2, M3, M4, M5, M6, M7, M8, M9, M10, M11, M12, M13, M14, M15, M16, M17)																							
11	0201L00015S	TUBING ASSY, COND COIL (M8, M9, M10, M12, M13, M14, M16, M17)	291	0159L00033	COMPRESSOR SCROLL HARNESS (M18, M19)																							
11	0201L00025S	TUBING ASSY, COND COIL (M1, M4)	291	0159L00035	COMPRESSOR SCROLL HARNESS (M20, M21, M22, M23)																							
11	0201L00028S	TUBING ASSY, COND COIL (M7, M11, M15)	301	0201L00002S	TUBING ASSY, COND COIL (M2, M3, M5, M6)																							
11	0201L00080S	TUBING ASSY, COND COIL (M18, M19, M20, M21, M22, M23)	301	0201L00016S	TUBING ASSY, COND COIL (M8, M9, M10, M12, M13, M14, M16, M17)																							
121	0121L00103	MOUNTING ANGLE, DECK-DUCT SIDE (M1, M2, M3, M4, M5, M6, M7, M8, M9, M10, M11, M12, M13, M14)	301	0201L00025S	TUBING ASSY, COND COIL (M1, M4)																							
171	0121L00090	BLOWER TRANSITION, RH END (M1, M2, M3, M4, M5, M6)	301	0201L00029S	TUBING ASSY, COND COIL (M7, M11, M15)																							
171	0121L00168	BLOWER TRANSITION, RH END (M7, M8, M9, M10, M11, M12, M13, M14, M15, M16, M17, M18, M19, M20, M21, M22, M23)	301	0201L00081S	TUBING ASSY, COND COIL (M18, M19, M20, M21, M22, M23)																							
191	0121L00092	BLOWER TRANSITION, FRONT	NS	0162L00002S	FLOWRATOR [COND] (M1, M2, M3, M4, M5, M6)																							
201	0121L00219	BLOWER DECK (M1, M2, M3, M4, M5, M6, M7, M8, M9, M10, M11, M12, M13, M14)	NS	0162L00006S	FLOWRATOR [COND] (M7, M8, M9, M10, M11, M12, M13, M14, M15, M16, M17)																							
201	0121L00373	BLOWER DECK (M15, M16, M17, M18, M19, M20, M21, M22, M23)	Expanded Model Nomenclature																									
211	0121L00097	BLOWER TRANSITION, LH END (M1, M2, M3, M4, M5, M6)	<table border="1"> <tr><td>M1 - CPG0902103BXJXAA</td></tr> <tr><td>M2 - CPG0902103BXXXAA</td></tr> <tr><td>M3 - CPG0902103HXXXAA</td></tr> <tr><td>M4 - CPG0902104BXJXAA</td></tr> <tr><td>M5 - CPG0902104BXXXAA</td></tr> <tr><td>M6 - CPG0902104HXXXAA</td></tr> <tr><td>M7 - CPG1202103BXJXAA</td></tr> <tr><td>M8 - CPG1202103BXSXAA</td></tr> <tr><td>M9 - CPG1202103BXXXAA</td></tr> <tr><td>M10 - CPG1202103HXXXAA</td></tr> <tr><td>M11 - CPG1202104BXJXAA</td></tr> <tr><td>M12 - CPG1202104BXSXAA</td></tr> <tr><td>M13 - CPG1202104BXXXAA</td></tr> <tr><td>M14 - CPG1202104HXXXAA</td></tr> <tr><td>M15 - CPG1202107BXJXAA</td></tr> <tr><td>M16 - CPG1202107BXSXAA</td></tr> <tr><td>M17 - CPG1202107BXXXAA</td></tr> <tr><td>M18 - CPG1502103BXSXAA</td></tr> <tr><td>M19 - CPG1502103BXXXAA</td></tr> <tr><td>M20 - CPG1502104BXSXAA</td></tr> <tr><td>M21 - CPG1502104BXXXAA</td></tr> <tr><td>M22 - CPG1502107BXSXAA</td></tr> <tr><td>M23 - CPG1502107BXXXAA</td></tr> </table>			M1 - CPG0902103BXJXAA	M2 - CPG0902103BXXXAA	M3 - CPG0902103HXXXAA	M4 - CPG0902104BXJXAA	M5 - CPG0902104BXXXAA	M6 - CPG0902104HXXXAA	M7 - CPG1202103BXJXAA	M8 - CPG1202103BXSXAA	M9 - CPG1202103BXXXAA	M10 - CPG1202103HXXXAA	M11 - CPG1202104BXJXAA	M12 - CPG1202104BXSXAA	M13 - CPG1202104BXXXAA	M14 - CPG1202104HXXXAA	M15 - CPG1202107BXJXAA	M16 - CPG1202107BXSXAA	M17 - CPG1202107BXXXAA	M18 - CPG1502103BXSXAA	M19 - CPG1502103BXXXAA	M20 - CPG1502104BXSXAA	M21 - CPG1502104BXXXAA	M22 - CPG1502107BXSXAA	M23 - CPG1502107BXXXAA
M1 - CPG0902103BXJXAA																												
M2 - CPG0902103BXXXAA																												
M3 - CPG0902103HXXXAA																												
M4 - CPG0902104BXJXAA																												
M5 - CPG0902104BXXXAA																												
M6 - CPG0902104HXXXAA																												
M7 - CPG1202103BXJXAA																												
M8 - CPG1202103BXSXAA																												
M9 - CPG1202103BXXXAA																												
M10 - CPG1202103HXXXAA																												
M11 - CPG1202104BXJXAA																												
M12 - CPG1202104BXSXAA																												
M13 - CPG1202104BXXXAA																												
M14 - CPG1202104HXXXAA																												
M15 - CPG1202107BXJXAA																												
M16 - CPG1202107BXSXAA																												
M17 - CPG1202107BXXXAA																												
M18 - CPG1502103BXSXAA																												
M19 - CPG1502103BXXXAA																												
M20 - CPG1502104BXSXAA																												
M21 - CPG1502104BXXXAA																												
M22 - CPG1502107BXSXAA																												
M23 - CPG1502107BXXXAA																												
211	0121L00169	BLOWER TRANSITION, LH END (M7, M8, M9, M10, M11, M12, M13, M14, M15, M16, M17, M18, M19, M20, M21, M22, M23)																										
221	0121L00094	BLOWER TRANSITION, BACK (M7, M8, M9, M10, M11, M12, M13, M14, M15, M16, M17, M18, M19, M20, M21, M22, M23)																										
221	0121L00145	BLOWER TRANSITION, BACK (M1, M2, M3, M4, M5, M6)																										
231	0121L00102	MOUNTING ANGLE, DECK-COND SIDE (M1, M2, M3, M4, M5, M6, M7, M8, M9, M10, M11, M12, M13, M14)																										
241	ZP39K5ETF5830	COMPRESSOR 39000, 200/230/60/3 (M1, M2, M3)																										
241	ZP39K5ETFD830	COMPRESSOR 39000, 460/60/3 (M4, M5, M6)																										
241	ZP51K5ETF5830	COMPRESSOR 51000, 208/230/60/3 (M7, M8, M9, M10)																										
241	ZP51K5ETFD830	COMPRESSOR 51000, 460/60/3 (M11, M12, M13, M14)																										
241	ZP51K5ETFE830	COMPRESSOR 51000, 575/60/3 (M15, M16, M17)																										
241	ZP67KCETFD830	COMPRESSOR 67000, 460/60/3 (M20, M21)																										
241	ZP67KCETF5830	COMPRESSOR 67500, 200/230/60/3 (M18, M19)																										
241	ZP67KCETFE830	COMPRESSOR 67500, 575/60/3 (M22, M23)																										
251	0159L00004	COMPRESSOR SCROLL HARNESS (M1, M2, M3, M4, M5, M6, M7, M8, M9, M10, M11, M12, M13, M14, M15, M16, M17, M20, M21, M22, M23)																										
251	0159L00009	COMPRESSOR SCROLL HARNESS (M18, M19)																										
261	M0221641	TF SHOULDER SCREW (QTY 8)																										
271	B1339533	COMPRESSOR GROMMET (QTY 8)																										
281	0121L00004	COMPRESSOR MOUNTING PLATE (M1, M2, M3, M4, M5, M6, M7, M8, M9, M10, M11, M12, M13, M14)																										
281	0121L00408	COMPRESSOR MOUNTING PLATE (M15, M16, M17, M18, M19, M20, M21, M22, M23)																										

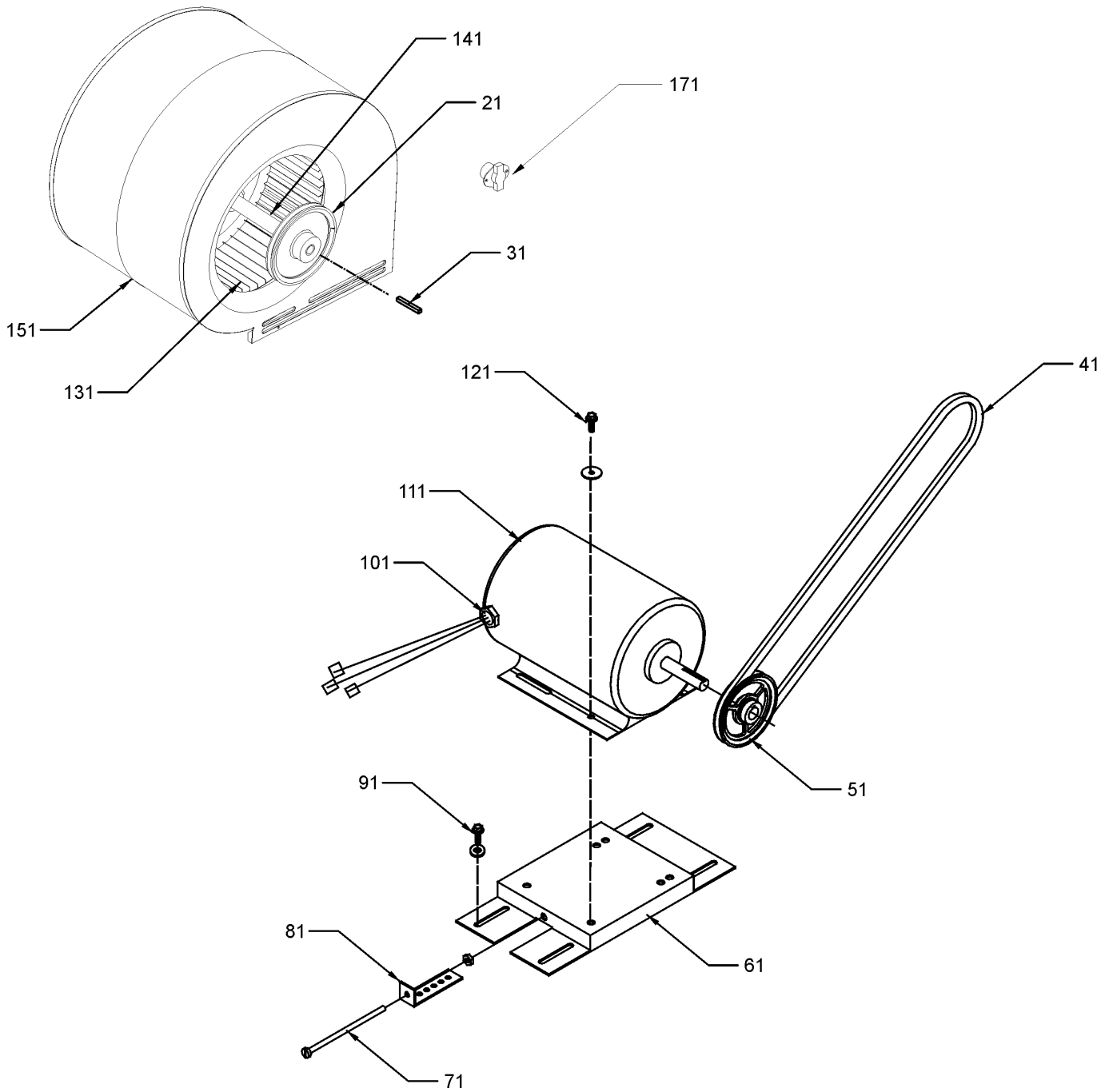
Heat Exchanger Assembly



Heat Exchanger Assembly

Ref. Part No:	No:	Description:	Ref. Part No:	No:	Description:
<i>Image 1:</i>			Expanded Model Nomenclature		
11	0131L00002S	VENT MOTOR	M1	-	CPG0902103BXJXAA
21	0121L00080	MOUNTING PLATE-ID BLOWER	M2	-	CPG0902103BXXXAA
31	0154L00007	GASKET, BLOWER/ORIFICE PLATE	M3	-	CPG0902103HXXXAA
41	0154L00006	GASKET, COLLECTOR/ORIFICE PLATE	M4	-	CPG0902104BXJXAA
51	0121L00077	COLLECTOR BOX COVER	M5	-	CPG0902104BXXXAA
61	0121L00072	REAR COVER, HEAT EXCHANGER	M6	-	CPG0902104HXXXAA
71	0154L00010	REAR COVER GASKET, HEAT EXCHANGER	M7	-	CPG1202103BXJXAA
81	0121L00133	TUBE PLATE, HEAT EXCHANGER	M8	-	CPG1202103BXSXAA
91	0270L00043S	HEAT EXCHANGER ASSY 6B (M1, M2, M3, M4, M5, M6, M7, M9, M10, M11, M13, M14, M15, M17, M19, M21, M23)	M9	-	CPG1202103BXXXAA
91	0270L00171	HEAT EXCHANGER ASSY 6B (M8, M12, M16, M18, M20, M22)	M10	-	CPG1202103HXXXAA
101	0154L00015	TUBE PLATE GASKET, HEAT EXCHANGER	M11	-	CPG1202104BXJXAA
111	0121L00076	COLLECTOR BOX CHANNEL	M12	-	CPG1202104BXSXAA
121	0121L00323	FLAME ROLLOUT BRACKET	M13	-	CPG1202104BXXXAA
131	10123532	MANUAL RESET LIMIT 350°F	M14	-	CPG1202104HXXXAA
141	0121L00091	HEAT EXCHANGER TUBES SUPPORT	M15	-	CPG1202107BXJXAA
151	B1370187	PRIMARY LIMIT SWITCH 160°F (M18, M19, M20, M21, M22, M23)	M16	-	CPG1202107BXSXAA
151	B1370199	PRIMARY LIMIT SWITCH 190°F (M1, M2, M3, M4, M5, M6, M7, M8, M9, M10, M11, M12, M13, M14, M15, M16, M17)	M17	-	CPG1202107BXXXAA
161	0121L00093	POST-LIMIT SWITCH	M18	-	CPG1502103BXSXAA
181	0130F00010	FLAME SENSOR	M19	-	CPG1502103BXXXAA
191	20261709S	IGNITOR	M20	-	CPG1502104BXSXAA
201	11112501S	PRESSURE SWITCH	M21	-	CPG1502104BXXXAA
211	A3468601	PRESSURE SWITCH HOSE	M22	-	CPG1502107BXSXAA
221	0163L00000	BECKETT BURNER (QTY 6)	M23	-	CPG1502107BXXXAA
231	0121L00147	PIPE BRACKET-GAS VALVE			
241	0121L00075	BURNER BRACKET 6B			
251	0151L00000S	GAS VALVE, MANIFOLD (36H)			
261	0154L00011	INNER GASKET, COLLECTOR BOX			
271	0154L00012	OUTER GASKET, COLLECTOR BOX			
281	0163L00007	ORIFICE #34 DRILL (QTY 6)			
291	0121L00073	TUBE RESTRICTOR			
301	0163L00006	FLUE SCREEN			
311	0121L00049S	HEAT EXCHANGER FLUE (QTY 2)			
321	0163L00010	MANIFOLD - 6 BRNR			
NS	0121L00130DGS	FLUE COLLAR			
NS	B1392609	SEAL STRIP, RED, 1/8 X 1/2 X 100 (QTY 3)			

Belt Drive Blower / Motor Assembly



Belt Drive Blower / Motor Assembly

**Ref. Part
No: No:**

Description:

**Ref. Part
No: No:**

Description:

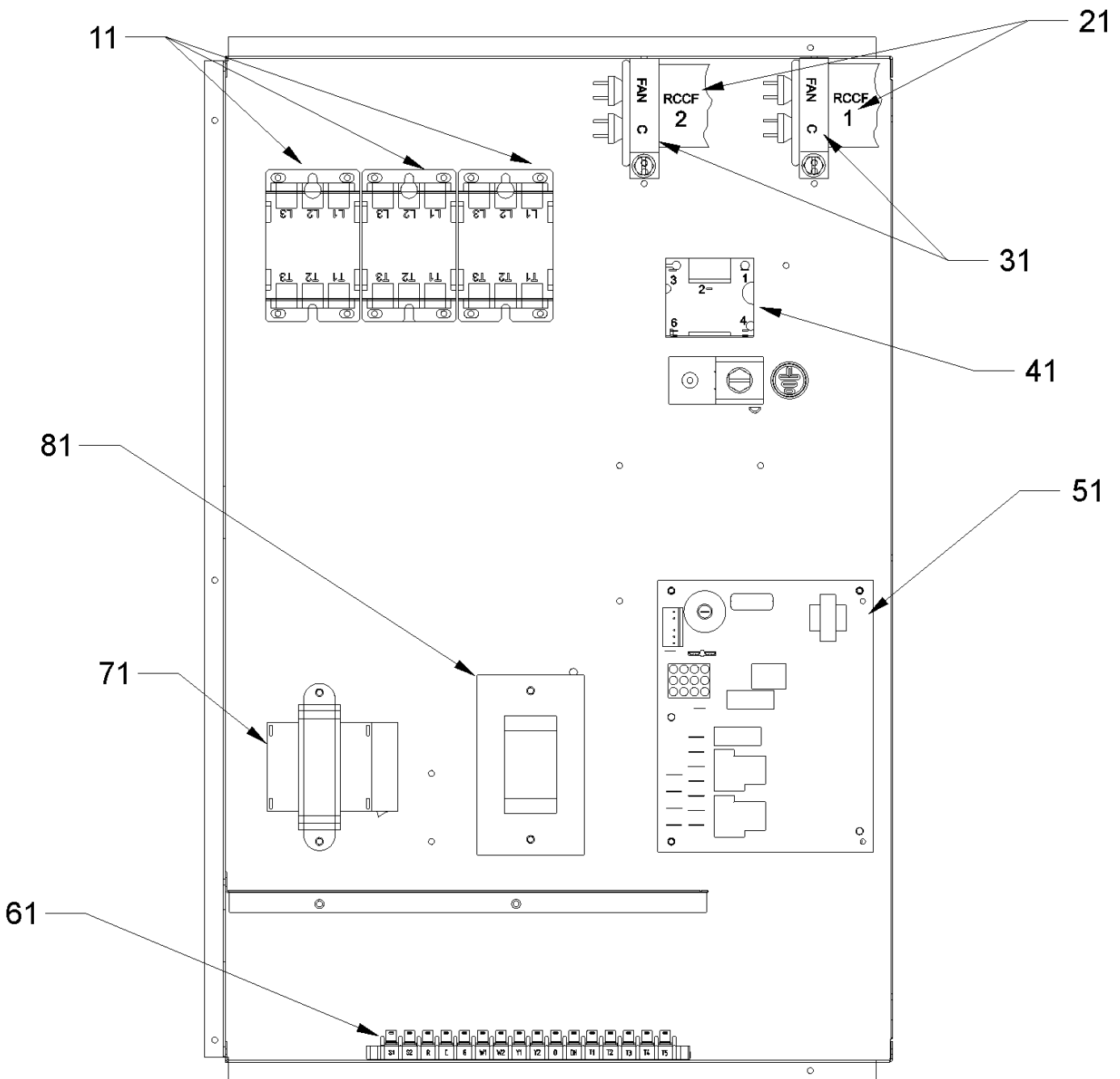
Image 1:

21	B3204303	FIXED SHEAVE AK61 (M3, M6, M10, M14)
21	B3204310	FIXED SHEAVE AK66 (M18, M19, M20, M21, M22, M23)
21	0163L00011	FIXED SHEAVE AK74 (M1, M2, M4, M5, M7, M8, M9, M11, M12, M13, M15, M16, M17)
31	B1398604	STEEL KEY (000158812) 2.0"
41	0164L00001	NOTCHED FAN BELT AX49 (M3, M6, M10, M14, M18, M19, M20, M21, M22, M23)
41	0164L00000	NOTCHED FAN BELT AX51 (M1, M2, M4, M5, M7, M8, M9, M11, M12, M13, M15, M16, M17)
51	B2120014	VARIABLE PITCH SHEAVE 1VL44 X 7/8" (M3, M6, M10, M14)
51	0163L00012	VARIABLE PITCH SHEAVE VL40 (M1, M2, M4, M5, M7, M8, M9, M11, M12, M13, M15, M16, M17, M18, M19, M20, M21, M22, M23)
61	0270L00266	MOTOR BASE ASSY
71	0163M00045	BOLT 1/4-20 X 4"
81	3225000F	BELT TIGHTENER ANGLE
91	B1446707	SCREW 5/16-18 X 1" (QTY 4)
101	B1393726	ELECT. CONNECTING BUSHING
111	B3240007S	BELT DRIVE MOTOR 1.5 HP (M1, M2, M4, M5)
111	B3240004	BELT DRIVE MOTOR 2 HP (M10, M14, M18, M19, M20, M21)
111	B3240006	BELT DRIVE MOTOR 2 HP (M3, M6, M7, M8, M9, M11, M12, M13)
111	0131L00005	BELT DRIVE MOTOR 2 HP 575 V (M15, M16, M17)
111	0131L00006	BELT DRIVE MOTOR 3 HP 575 V (M22, M23)
121	B1393738	BOLT 1/4-20 X 3/4" (QTY 4)
131	03-77429	BELT DRIVE BLOWER WHEEL (M1, M2, M3, M4, M5, M6)
131	03-78497	BELT DRIVE BLOWER WHEEL (M7, M8, M9, M10, M11, M12, M13, M14, M15, M16, M17, M18, M19, M20, M21, M22, M23)
141	04-11525	BELT DRIVE BLOWER SHAFT (M1, M2, M3, M4, M5, M6)
141	04-11526	BELT DRIVE BLOWER SHAFT (M7, M8, M9, M10, M11, M12, M13, M14, M15, M16, M17, M18, M19, M20, M21, M22, M23)
151	04-01525	BELT DRIVE BLOWER HOUSING (M1, M2, M3, M4, M5, M6)
151	04-01526	BELT DRIVE BLOWER HOUSING (M7, M8, M9, M10, M11, M12, M13, M14, M15, M16, M17, M18, M19, M20, M21, M22, M23)
171	0130F00036	PRIMARY LIMIT - PINK (M18, M19, M20, M21, M22, M23)
171	20162904	PRIMARY LIMIT-TEMPERATURE CONTROL (M1, M2, M3, M4, M5, M6, M7, M8, M9, M10, M11, M12, M13, M14, M15, M16, M17)
NS	04-02196	BALL BEARING & FRAME ASSY
NS	0259L00008	MOTOR HARNESS-BELT DRIVE

Expanded Model Nomenclature

M1 - CPG0902103BXJXAA
M2 - CPG0902103BXXXAA
M3 - CPG0902103HXXXAA
M4 - CPG0902104BXJXAA
M5 - CPG0902104BXXXAA
M6 - CPG0902104HXXXAA
M7 - CPG1202103BXJXAA
M8 - CPG1202103BXSXAA
M9 - CPG1202103BXXXAA
M10 - CPG1202103HXXXAA
M11 - CPG1202104BXJXAA
M12 - CPG1202104BXSXAA
M13 - CPG1202104BXXXAA
M14 - CPG1202104HXXXAA
M15 - CPG1202107BXJXAA
M16 - CPG1202107BXSXAA
M17 - CPG1202107BXXXAA
M18 - CPG1502103BXSXAA
M19 - CPG1502103BXXXAA
M20 - CPG1502104BXSXAA
M21 - CPG1502104BXXXAA
M22 - CPG1502107BXSXAA
M23 - CPG1502107BXXXAA

Control Box Assembly



Control Box Assembly

Ref. Part No:	Description:	Ref. Part No:	Description:
<i>Image 1:</i>		Expanded Model Nomenclature	
11	CONT3P025024VS CONTACTOR 25 AMP, 3P, 24V (M1, M2, M3, M4, M5, M6, M7, M8, M9, M10, M11, M12, M13, M14, M15, M16, M17, M20, M21, M22, M23)	M1 - CPG0902103BXJXAA	
11	CONT3P030024VS CONTACTOR 30 AMP, 3P, 24V (M18, M19)	M2 - CPG0902103BXXXAA	
21	CAP050000370VAS CAPACITOR 5/370V (QTY 2)	M3 - CPG0902103HXXXAA	
31	20520901 CAPACITOR STRAP (QTY 2)	M4 - CPG0902104BXJXAA	
41	0130M00025S 24V RELAY	M5 - CPG0902104BXXXAA	
51	PCBAG123S IGNITION BOARD, DSI INTEGRATED	M6 - CPG0902104HXXXAA	
61	0130M00038S TERMINAL BOARD	M7 - CPG1202103BXJXAA	
71	B1141672 TRANSFORMER 480V, 75VA, RESETTABLE (M1, M2, M3, M4, M5, M6, M7, M8, M9, M10, M11, M12, M13, M14, M18, M19, M20, M21)	M8 - CPG1202103BXSXAA	
71	0130M00045S TRANSFORMER 575/24V (M15, M16, M17, M22, M23)	M9 - CPG1202103BXXXAA	
81	B1141663 TRANSFORMER 460V TO 230V, 150 VA (M4, M5, M6, M11, M12, M13, M14, M20, M21)	M10 - CPG1202103HXXXAA	
81	0130M00044S TRANSFORMER 575/230V (M15, M16, M17, M22, M23)	M11 - CPG1202104BXJXAA	
NS	0259L00031 12-PIN HARNESS	M12 - CPG1202104BXSXAA	
NS	0259L00021 CONTROL HARNESS (M4, M5, M6, M11, M12, M13, M14, M15, M16, M17, M20, M21, M22, M23)	M13 - CPG1202104BXXXAA	
NS	0259L00022 CONTROL HARNESS (M1, M2, M3, M7, M8, M9, M10, M18, M19)	M14 - CPG1202104HXXXAA	
NS	0259L00033 ECONOMIZER HARNESS (M1, M2, M3, M4, M5, M6, M7, M8, M9, M10, M11, M12, M13, M14, M15, M16, M17)	M15 - CPG1202107BXJXAA	
NS	0259L00099 ECONOMIZER HARNESS (M18, M19, M20, M21, M22, M23)	M16 - CPG1202107BXSXAA	
		M17 - CPG1202107BXXXAA	
		M18 - CPG1502103BXSXAA	
		M19 - CPG1502103BXXXAA	
		M20 - CPG1502104BXSXAA	
		M21 - CPG1502104BXXXAA	
		M22 - CPG1502107BXSXAA	
		M23 - CPG1502107BXXXAA	

THIS PAGE INTENTIONALLY LEFT BLANK