



Using "Genuine Laars" parts will ensure accurate replacement and warranty coverage. Installation and Operation Manuals for current products are available on-line at www.Laars.com

Our Commitment

We believe the availability of factory authorized replacement parts is an essential component of customer service. We strive to provide every opportunity for our customers to order and stock factory authorized replacement parts, including special incentive, pricing and freight programs. Contact your Laars representative or sales manager for more details.

Ordering

Laars sells parts only through its normal distribution channels. The most commonly used parts are listed in this parts guide, and can be ordered through Laars stocking representatives or wholesalers. Call the Service Department for assistance in identifying parts not listed. Have the model and serial number of the unit before calling to assure accurate parts identification. Rush Orders: We make every effort to ship rush orders the same day at our regular prices, but cannot guarantee same day shipment. Express freight charged by carriers is not refundable regardless of ship date; please indicate alternate shipping choice if order cannot ship the same day. Some parts are subject to price changes and limited availability. Laars representatives or wholesalers should call the factory for price and lead time for non-current sheet metal parts, parts listed as "limited to stock on hand" and parts not listed in this document.

Terms and Conditions

1. Standard terms will apply to all parts orders.
2. Special pricing is available for bulk quantity orders. Contact the Customer Service Department for pricing and specifics.
3. Expedite fee for non-stocked heat exchangers, 24 hour turnaround \$250.00 net.
4. Expedite fee for non-stocked sheet metal parts (7 working days) is \$250.00 per part.
5. Cancellation fee for custom product already in production: \$250
6. All parts are shipped FOB warehouse.
7. Any excise or sales tax will be charged to and paid by the buyer. Buyer is solely responsible for providing valid resale certificates.

Salable Returns / Unused Parts

Parts in new condition with all original packaging will be considered for return within one year of date of purchase from Laars, subject to a 25% restocking charge *and* recovery of other discounts or incentives earned at time of purchase. Invoice number and date of purchase must be furnished. Refunds will be made to the original purchaser only, and will be made at the sole discretion of Laars. Return of parts may affect eligibility for other programs. Contact your Laars representative for more information.

Parts Limited Warranty

Laars warrants all parts to be free from defects in materials and workmanship to the original retail purchaser for one year from date of retail purchase. Proof of purchase is required. This limited warranty applies only to parts purchased for use as an original equipment replacement part in Laars Heating Systems boilers and water heaters. At its option, Laars will repair or replace any part that fails under this limited warranty. Repair or replacement shall be the sole remedy, and Laars shall not be liable for any field labor, removal, transportation to/from the factory, reinstallation or any other such costs.

Return Under Warranty

Parts should be returned to the place of purchase for warranty evaluation. If the original place of purchase is not known, contact your Laars wholesaler, factory representative or Contract Service Center. Wholesalers, factory representatives and Contract Service Centers returning parts for warranty consideration must obtain a RMA (Return Merchandise Authorization) number from the Customer Service Department. Each part must be tagged with the original purchase date, model and serial number of the boiler it was installed on, and a description of the failure. Parts must be returned freight prepaid and clearly marked with the RMA number. The RMA expires if not returned within 60 days of issuance. Contact your Laars representative or the Customer Service Department for more information on obtaining warranty coverage on large, heavy or bulky items.

Laars Heating Systems maintains a policy of continuous quality improvement.

Laars Heating Systems Company reserves the right to change specifications, components, features, or to discontinue products without notice. While Laars will make every reasonable effort to provide advance notice of changes, supplier actions, changes in code requirements, and Laars' efforts to continuously upgrade products will sometimes require that changes be introduced with minimal or no advance notice.

9.2 Parts List

COMBUSTION COMPONENTS

See Figure 39

	1200	1600	2000	2400
1 Combustion chamber assembly	R2010800	R2016300	R2016400	R2001000
2 Base assembly	R2001100	R2001100	R2001100	R2001100
3 Panel, front cover, base frame	R2001200	R2001200	R2001200	R2001200
4 Panel, top, combustion chamber (with insulation)	R2001300	R2001300	R2001300	R2001300
5 Panel, bottom, combustion chamber	R2001400	R2001400	R2001400	R2001400
6 Panel, left, combustion chamber	R2001500	R2001500	R2001500	R2001500
7 Panel, right, combustion chamber	R2001600	R2001600	R2001600	R2001600
8 Panel, access, combustion chamber	R2001700	R2001700	R2001700	R2001700
9 Support, front, fan transition	R2010200	R2010200	R2010200	R2010200
10 Support, rear, fan transition	R2010300	R2010300	R2010300	R2010300
11 Hardware kit, combustion chamber	R2002200	R2002200	R2002200	R2002200
12 Burner, with gaskets	R2013200	R2016500	R2016600	R2002300
13 Gasket kit, burner	R2002400	R2002400	R2002400	R2002400
14 Tile kit (top & bottom of heat exchanger w/top insulation)	R2002500	R2002500	R2002500	R2002500
15 Tile support w/rods	R2010900	R2016700	R2016800	R2002600
16 Tile support protective liner	R2016900	R2016900	R2016900	R2002700
17 Flue collector kit (with gaskets)	R2011000	R2011000	R2017000	R2002800
18 Gasket kit, flue collector	R2002900	R2002900	R2002900	R2002900
19 Gasket kit, combustion chamber	R2003000	R2003000	R2003000	R2003000
20 Heat exchanger assembly, copper	R2013300	R2017100	R2017200	R2003100
20 Heat exchanger assembly, cupro-nickel	R2013301	R2017101	R2017201	R2003101
21 Baffle, flue	R2017300	not used	not used	not used

GAS TRAIN / COMBUSTION AIR COMPONENTS

See Figures 40 and 41

25 Gas train assembly, standard, Nat	R2011100	R2017400	R2017500	R2003200
25 Gas train assembly, standard, LP Nat	R2011200	R2017600	R2017700	R2010400
25 Gas train assembly, control pack A, Nat	R2017800	R2017900	R2018000	R2018100
25 Gas train assembly, control pack A, LP Nat	R2018200	R2018300	R2018400	R2018500
25 Gas train assembly, control pack B and E, Nat	R2018600	R2018700	R2018800	R2018900
25 Gas train assembly, control pack B and E, LP Nat	R2019000	R2019100	R2019200	R2019300
26 Gas valve, safety	R2011300	R2003300	R2003300	R2003300
27 Gas valve, solenoid safety, for control packs B & E	R2019400	R2019500	R2019500	R2019500
28 Gas valve, mod valve actuator	R2003400	R2003400	R2003400	R2003400
29 Gas valve, mod valve body	R2011400	R2011400	not used	R2003500
29 Gas valve, mod valve body, size 2000, Nat	not used	not used	R2003500	not used
29 Gas valve, mod valve body, size 2000, LP	not used	not used	R2011400	not used
30 Gas valve, mod complete (body and actuator)	R2011500	R2011500	not used	R2003600
30 Gas valve, mod complete (body and actuator) size 2000, Nat	not used	not used	R2003600	not used
30 Gas valve, mod complete (body and actuator) LP gas size 2000, LP	not used	not used	R2011500	not used
31 Gas valve, manual	R2011600	R2003700	R2003700	R2003700
32 Double valve body / Actuator	not used	not used	R2019600	R2019600
33 Double valve body	not used	not used	R2019700	R2019700
34 On/Off Actuator	R2019800	R2019800	R2019800	R2019800
35 Normally open vent valve	R2014400	R2014400	R2014400	R2014400
36 Gas orifice kit (orifice in holder), Nat	R2011700	R2019900	R2020000	R2003800
36 Gas orifice kit (orifice in holder), LP	R2011800	R2020100	R2020200	R2010500
37 Gas orifice, Nat	R2011900	R2020300	R2020400	R2003900
37 Gas orifice, LP	R2012000	R2020500	R2020600	R2010600
38 Pressure switch, high gas	R2004000	R2004000	R2004000	R2004000

	1200	1600	2000	2400
39 Pressure switch, low gas	R2004100	R2004100	R2004100	R2004100
40 Tubing/Fittings (gas train repair kit)	R2020700	R2020700	R2020700	R2020700
41 Air filter box assembly (with gasket and hardware) Nat	R2020800	R2020900	R2004400	R2004400
41 Air filter box assembly (with gasket and hardware) LP	R2020800	R2021000	R2021100	R2021200
42 Air filter	R2004500	R2004500	R2004500	R2004500
43 Gasket kit, air filter	R2004600	R2004600	R2004600	R2004600
44 Air filter box cover	R2004700	R2004700	R2004700	R2004700
45 Air filter felt gasket	R2004800	R2004800	R2004800	R2004800
46 Air filter air inlet vent w / gasket	R2021300	R2021400	R2021400	R2021400
47 Blower	R2012100	R2004900	R2004900	R2004900
48 Blower gasket kit	R2012200	R2005000	R2005000	R2005000
49 Air orifice, Nat	R2012300	R2021500	R2021700	R2005100
50 Air orifice strip, LP	not used	not used	R2022000	R2022000
51 Air orifice, LP	R2026400	R2021600	R2021700	R2005100
52 Air restrictor, LP	R2026500	R2022100	R2022200	not used
53 Air transition (filter box to blower)	R2012500	R2005200	R2005200	R2005200
54 Blower adapter transition	R2022300	not used	not used	not used
55 Ignitor kit (with gasket)	RW2002300	RW2002300	RW2002300	RW2002300
56 Sight glass	R2005300	R2005300	R2005300	R2005300
57 Pressure switch, air	R2022400	R2022400	R2022400	R2022400

ELECTRICAL COMPONENTS**See Figure 42**

	1200	1600	2000	2400
60 Transformer, 115/24V, 40VA step down,	R0021300	R0021300	R0021300	R0021300
60 Transformer, 115/24V, 80VA step down, for control pack B & E only	R2022500	R2022500	R2022500	R2022500
62 Transformer, 24/115 step up	R2005500	R2005500	R2005500	R2005500
63 Fuse kit, 2 Amp, 5 pack (not shown)	RE2043600	RE2043600	RE2043600	RE2043600
63 Fuse kit, 5 Amp, 5 pack (Control packs B and E) (not shown)	RE2043500	RE2043500	RE2043500	RE2043500
64 Fuse holder (qty of 5)	RE2000300	RE2000300	RE2000300	RE2000300
65 Diagnostic lights kit	R2005600	R2005600	R2005600	R2005600
66 Ignition control (Single Trial)	R2014100	R2014100	R2014100	R2014100
66 Ignition control (Three Trial, Control packs F and G)	R2022600	R2022600	R2022600	R2022600
67 High limit, manual reset, RHCH boiler	RE0015900	RE0015900	RE0015900	RE0015900
67 High limit, manual reset, RHCV water heater	RE2217800	RE2217800	RE2217800	RE2217800
68 Temperature control, RHCH boiler	R2005800	R2005800	R2005800	R2005800
69 Module, proportional control	R2005900	R2005900	R2005900	R2005900
70 Timer, delay on make	R2006000	R2006000	R2006000	R2006000
71 Relay, DPDT, 24V coil	R2006100	R2006100	R2006100	R2006100
72 Relay, DPDT, 120V coil	R2006200	R2006200	R2006200	R2006200
73 Relay, EM2 kit	RE2077700	RE2077700	RE2077700	RE2077700
74 Relay, 115VAC SPST	R2014200	R2014200	R2014200	R2014200
75 Voltage regulator	R2006300	R2006300	R2006300	R2006300
76 Terminal block, 2 position	R2006400	R2006400	R2006400	R2006400
77 Terminal block, 4 position	R2006500	R2006500	R2006500	R2006500
78 Sensor, temperature control (not shown)	R2006600	R2006600	R2006600	R2006600
79 Switch, toggle, 3-way SPDT	R2007700	R2007700	R2007700	R2007700
80 Switch, toggle, DPDT	R2015000	R2015000	R2015000	R2015000
81 Control signal converter	R2012700	not used	not used	not used
82 Bell, alarm, 24V	R2014200	R2014200	R2014200	R2014200
83 Cover, control panel top	R2006700	R2006700	R2006700	R2006700
84 Cover, control panel bottom	R2007000	R2007000	R2007000	R2007000
85 Enclosure, control panel	R2006800	R2006800	R2006800	R2006800
86 Voltage divider panel, Std and control pack options A, C, and D	R2006900	R2006900	R2006900	R2006900
86 Voltage divider panel, control pack options B and E	R2015200	R2015200	R2015200	R2015200
87 Support, control panel bottom	R2007100	R2007100	R2007100	R2007100

	1200	1600	2000	2400
88 Panel, diagnostic lights	R2007300	R2007300	R2007300	R2007300
89 Bracket, mounting, diagnostic panel	R2007400	R2007400	R2007400	R2007400
90 Standoff	R2007500	R2007500	R2007500	R2007500
91 Hardware kit, control panel	R2007600	R2007600	R2007600	R2007600
92 Bracket, support, control panel top	R2007800	R2007800	R2007800	R2007800

HEAT EXCHANGER / WATER PATH*See Figure 43*

	1200	1600	2000	2400
93 Header cover	R2012800	R2022700	R2022800	R2007900
93 Header cover, pump mount	R2022900	R2023000	R2023100	R2023200
94 Water barrier assembly	R2012900	R2023300	R2023400	R2008000
95 Gasket kit, heat exchanger cover	R2013000	R2023500	R2023600	R2008200
96 Hardware kit, heat exchanger cover	R2013100	R2023700	R2023800	R2008300
97 Gauge, temperature/pressure	RA0079000	RA0079000	RA0079000	RA0079000
98 Pressure relief valve, RHCH boiler	A0063600	A0063600	A0002700	A0002700
98 Pressure relief valve, RHCV boiler	A0001200	A0064400	A0000400	A0000400
100 Immersion well, high limit	RE2058300	RE2058300	RE2058300	RE2058300
101 Immersion well, temperature control	RE2074000	RE2074000	RE2074000	RE2074000
102 Tube cleaning kit (not shown)	R2000700	R2000700	R2000700	R2000700
103 Flow switch (with paddle)	R2008400	R2008400	R2008400	R2008400
104 Low water cutoff, manual reset	RE2075100	RE2075100	RE2075100	RE2075100
105 Pump, circulator (normal water)	R2023900	R2024100	R2024300	R2024100
105 Pump, circulator (hard water)	R2024000	R2024200	R2024400	R2024200
106 Bracket, pump mounting (normal water)	R2024600	R2024500	R2024500	R2024500
106 Bracket, pump mounting (hard water)	R2024600	R2024600	R2024600	R2024600
107 Flange, pump, gaskets / hardware	R2024700	R2024800	R2024700	R2024800
108 Shims, pump bracket (10 ea)	R2013600	R2013600	R2013600	R2013600
109 Gaskets (10 pk)	R2013800	R2013800	R2013800	R2013800
110 Temperature switch, bi-metal disc	R2024900	R2024900	R2024900	R2024900

JACKET*See Figure 44*

	1200	1600	2000	2400
115 Panel, upper front access	R2015101	R2015101	R2015101	R2015101
116 Panel, lower front access	R2015102	R2015102	R2015102	R2015102
117 Panel, waterway access	R2025000	R2025100	R2025200	R2025300
117 Panel, waterway access, pump	R2025400	R2025400	R2025400	R2025500
118 Panel, waterway cover	R2025600	R2025600	R2025600	R2025600
119 Panel, pump access	R2025700	R2025800	R2025800	R2025800
120 Panel, PRV access	R2025900	R2025900	R2025900	R2025900
121 Panel, rear access	R2008600	R2008600	R2008600	R2008600
122 Panel, front left	R2008700	R2008700	R2008700	R2008700
123 Panel, front right	R2008800	R2008800	R2008800	R2008800
124 Panel, rear left	R2008900	R2008900	R2008900	R2008900
125 Panel, rear right	R2009000	R2009000	R2009000	R2009000
126 Panel, common access	R2009100	R2009100	R2009100	R2009100
127 Panel, top	R2009200	R2009200	R2009200	R2009200
128 Panel, support	R2009300	R2009300	R2009300	R2009300
129 Panel, flue vent access	R2026000	R2026000	R2026100	R2026300
130 Panel, ducted air cover	R2009500	R2009500	R2009500	R2009500
131 Jacket trim kit	R2009600	R2009600	R2009600	R2009600
132 Hardware kit, jacket	R2009700	R2009700	R2009700	R2009700
133 Window, control / display	R2009800	R2009800	R2009800	R2009800
134 Window guide	R2009900	R2009900	R2009900	R2009900
135 Window latch	R2010000	R2010000	R2010000	R2010000
136 Jacket retro-fit kit (standard)	R2026400	R2026500	R2026600	R2026700
137 Jacket retro-fit kit (mounted pump)	R2026800	R2026900	R2027000	R2027100

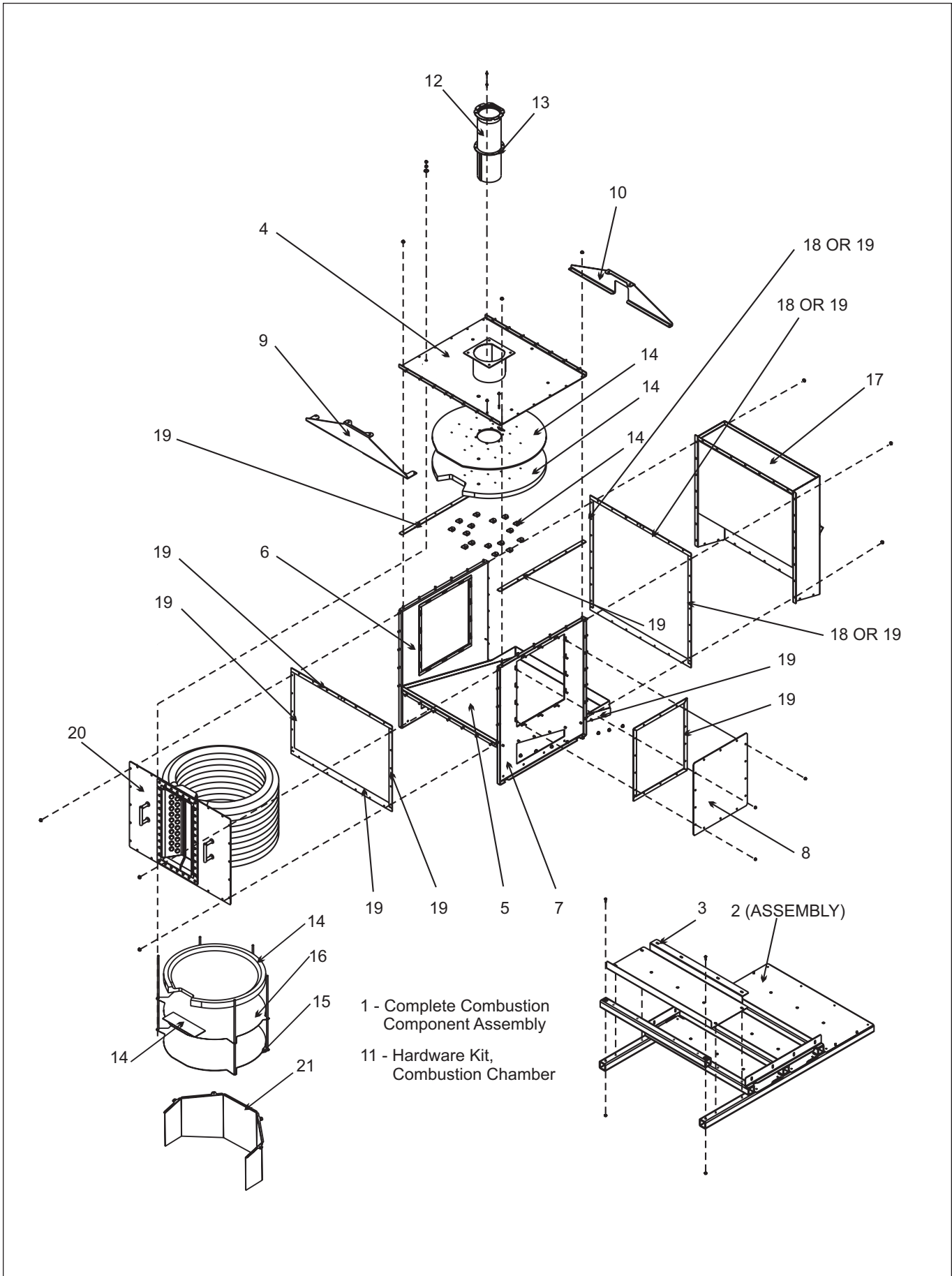


Figure 39. Combustion Components.

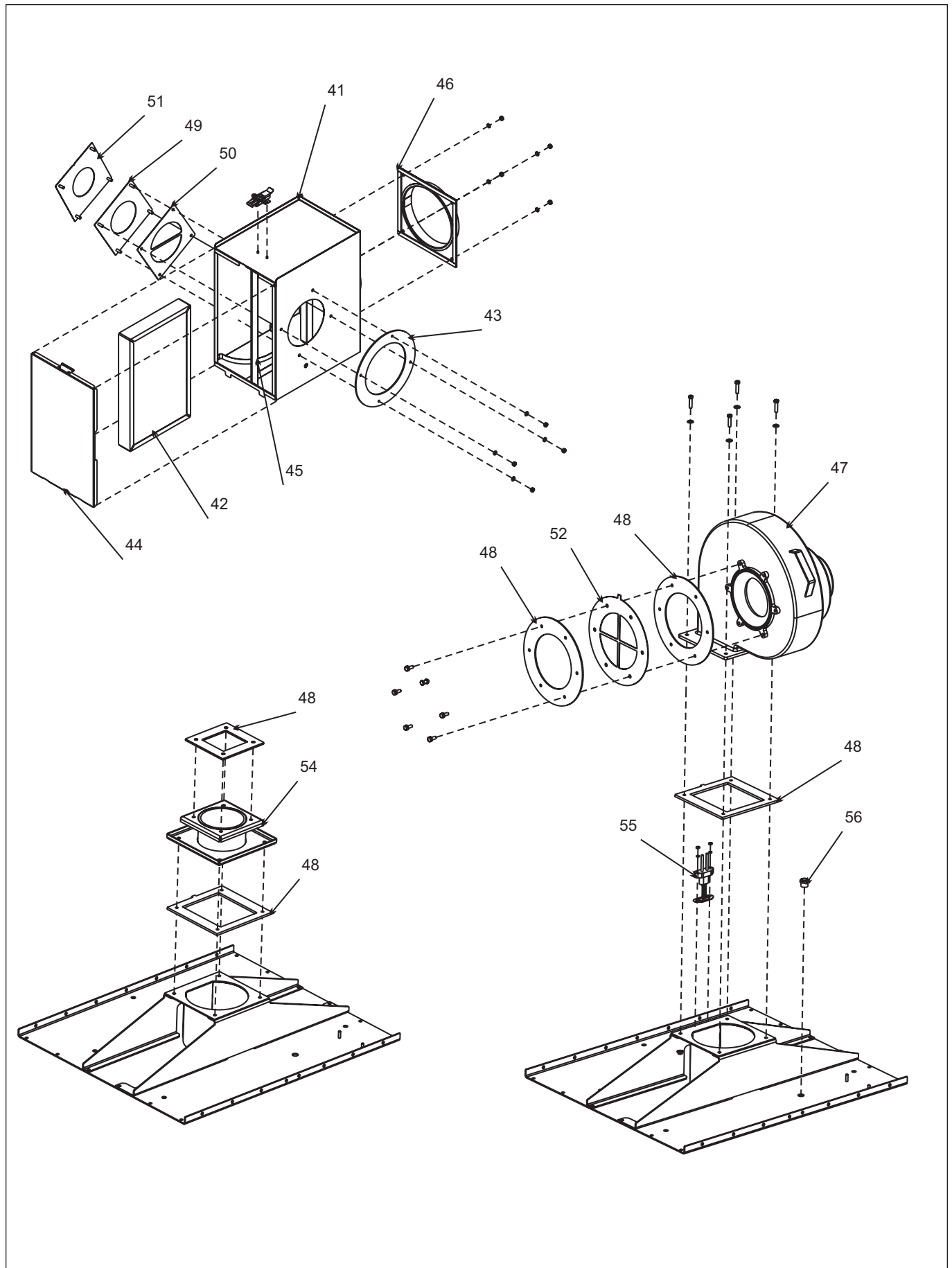


Figure 40. Gas Train/Combustion Air Components.

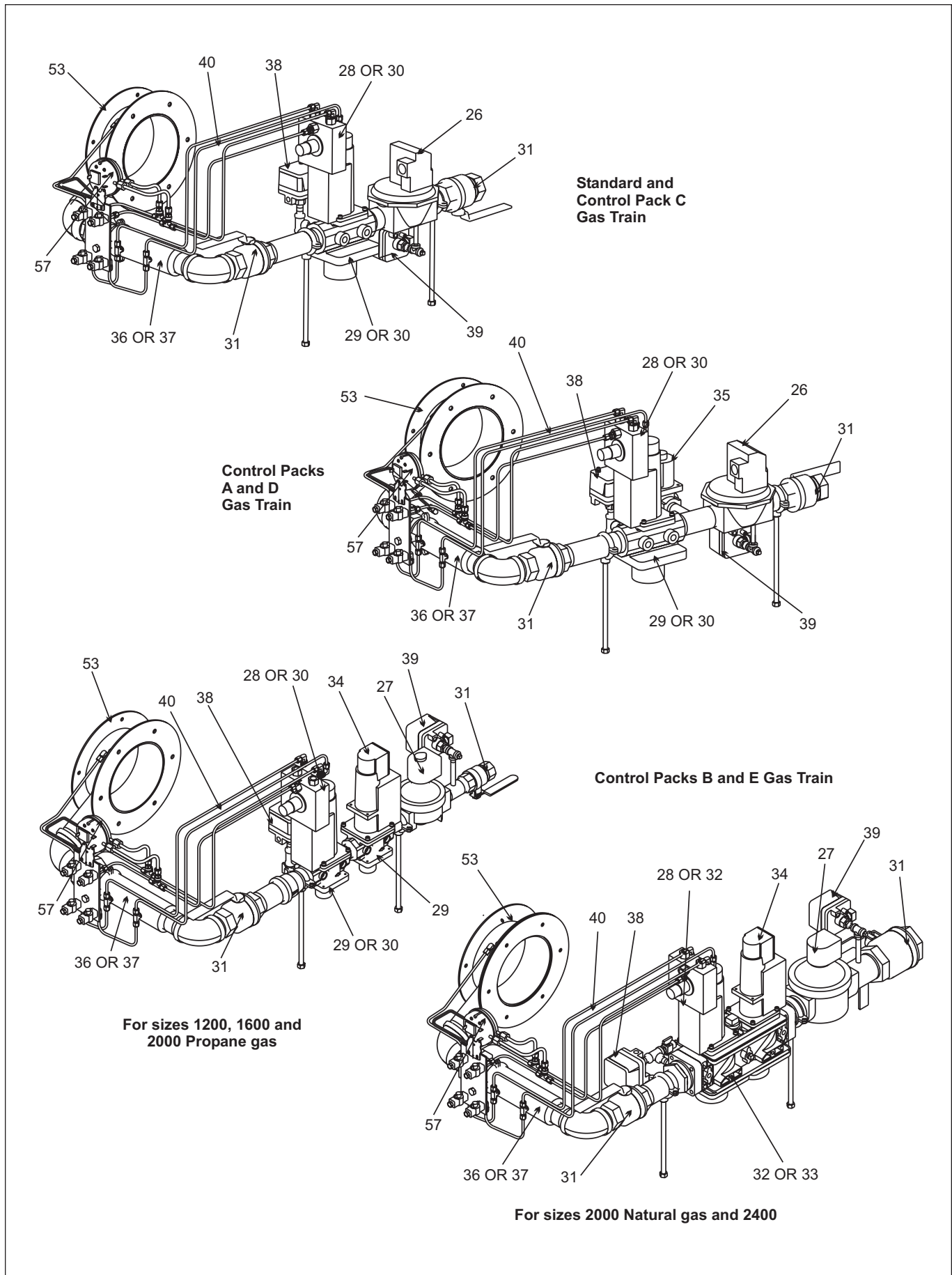


Figure 41. Gas Train Components.

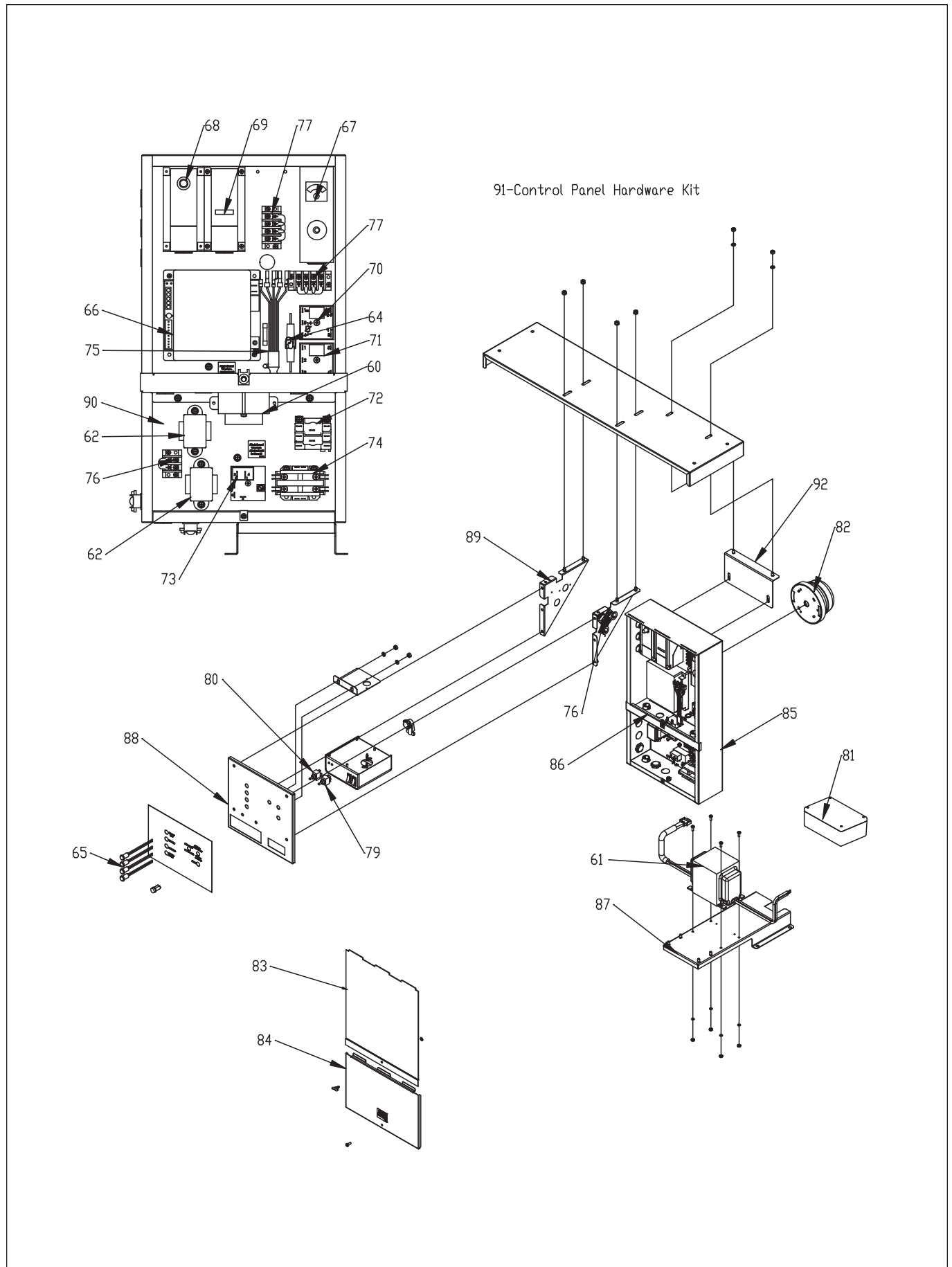


Figure 42. Electrical Components.

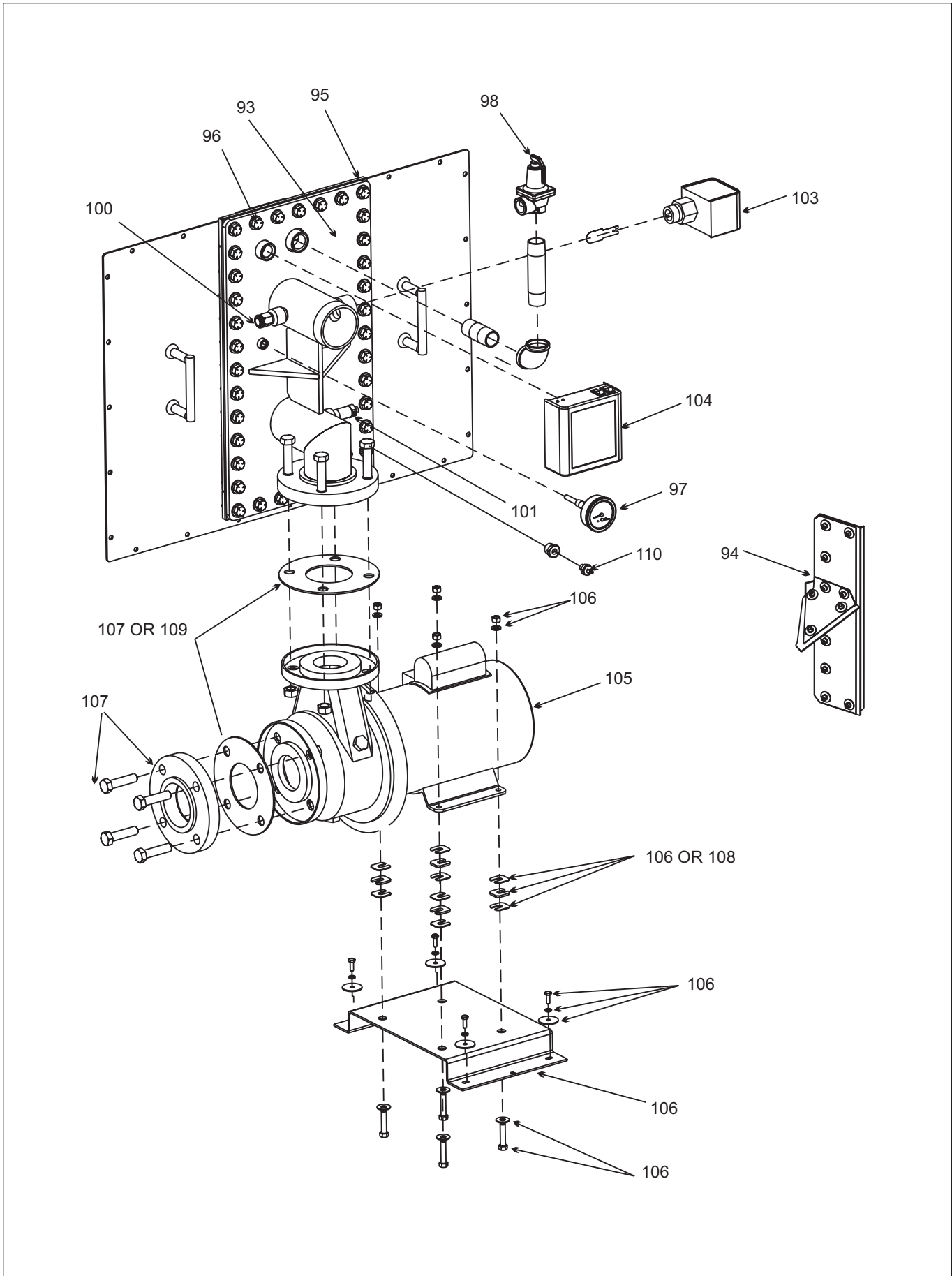


Figure 43. Heat Exchanger / Water Path Components.

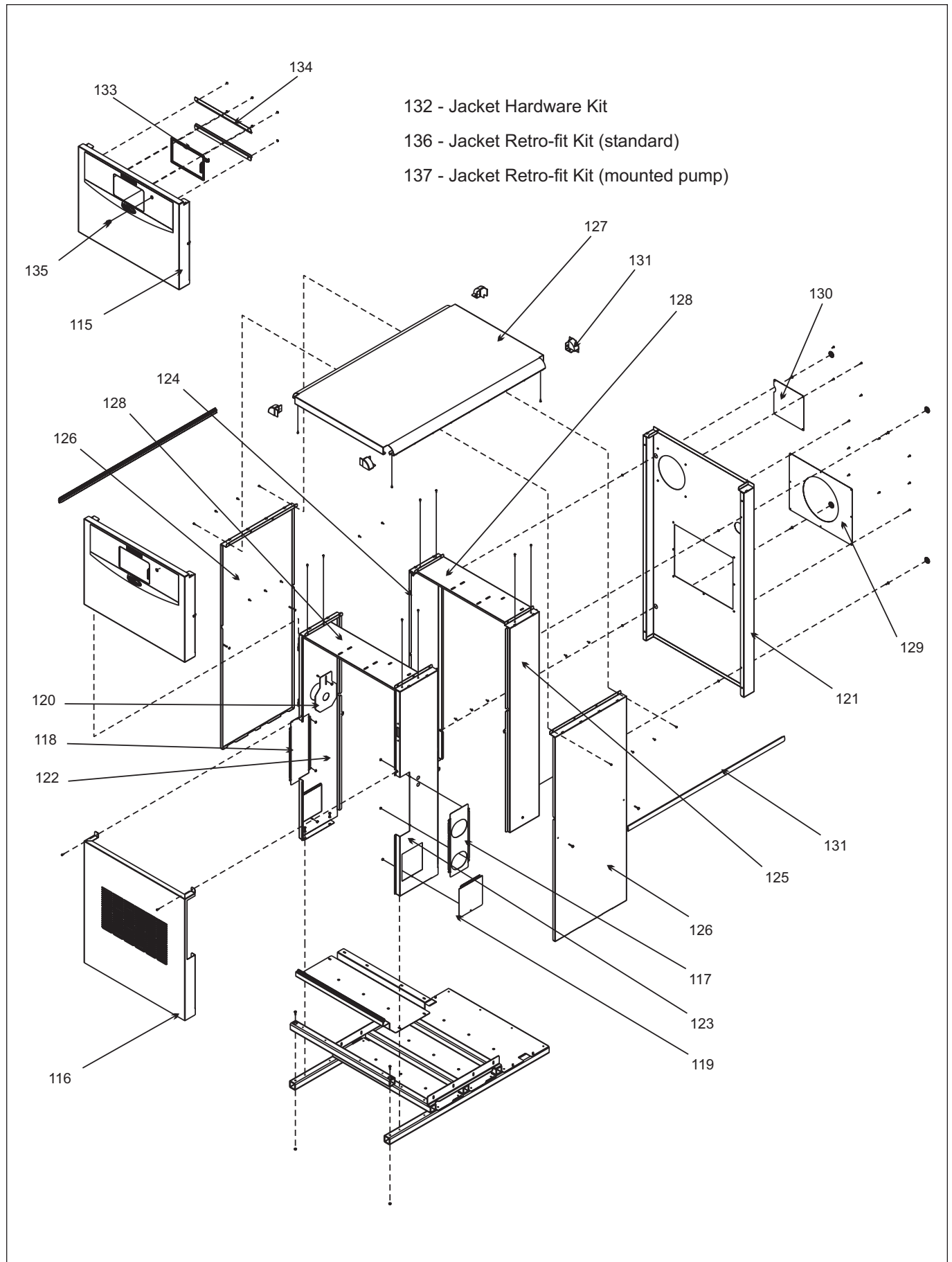


Figure 44. Jacket Components.



800.900.9276 • Fax 800.559.1583 (*Customer Service, Service Advisors*)
20 Industrial Way, Rochester, NH 03867 • 603.335.6300 • Fax 603.335.3355
1869 Sismet Road, Mississauga, Ontario, Canada L4W 1W8 • 905.238.0100 • Fax 905.366.0130
www.Laars.com

Litho in U.S.A. © Laars Heating Systems 0805 Document 1170E