

SPECIFICATIONS

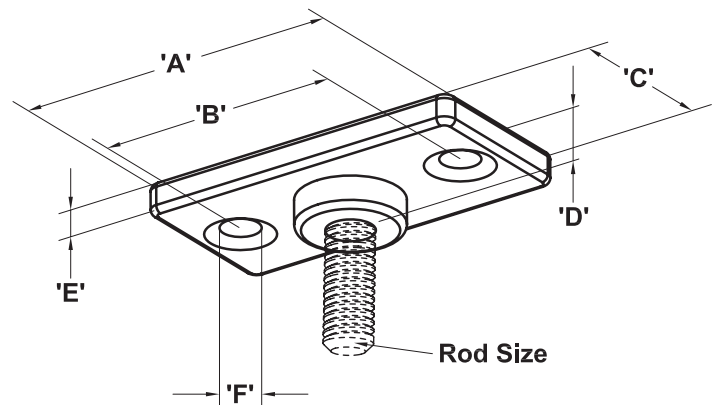
FIGURE 7502 ATTACHMENTS



BEAM CEILING FLANGE

FEATURES

- Finish: Plain, zinc or epoxy copper
- Material: Malleable Iron, ASTM A47 Grade 32510
- Hanger rod not included



REFERENCE CHART

Catalog Number	Finish	Rod Size	Max Load (lbs)	Dimensions (in.)						Wt. (oz.)
				A	B	C	D	E	F	
FNW7502PC	Plain	3/8"-16	180	2.75"	2.00"	1.38"	0.50"	0.25"	0.31"	2.96
FNW7502ZC	Zinc	3/8"-16	180	2.75"	2.00"	1.38"	0.50"	0.25"	0.31"	2.96
FNW7502ECC	Epoxy Copper	3/8"-16	180	2.75"	2.00"	1.38"	0.50"	0.25"	0.31"	2.96
FNW7502PD	Plain	1/2"-13	180	2.75"	2.00"	1.38"	0.50"	0.25"	0.31"	2.72
FNW7502ZD	Zinc	1/2"-13	180	2.75"	2.00"	1.38"	0.50"	0.25"	0.31"	2.72
FNW7502ECD	Epoxy Copper	1/2"-13	180	2.75"	2.00"	1.38"	0.50"	0.25"	0.31"	2.72