

86% Efficient!

Burnham® MegaSteam™

Oil Fired, Chimney Vented, Cast Iron Steam Boiler

The Only 86% AFUE 3-pass Steam Boiler!

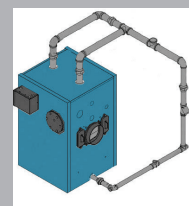


- Unique 3-pass cast iron sectional design
- Four sizes available, 0.75-1.65 GPH, 288-629 sq. ft. of steam
- Very stable waterline, high corrosion resistance
- Superior steam quality – 99% dry!
- Easy installation and servicing; Reversible swing away burner door, no target wall/blanket, removable rear plates provide direct access to flue passages
- **Unmatched steam boiler warranty** – 10 year limited warranty on heat exchanger, 5 year limited warranty against waterside corrosion
- Tankless heater available

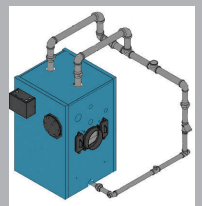


Available With EXCLUSIVE Near Boiler Piping Kit

- Perfect piping EVERY TIME!
- Pre-cut, pre-threaded nipples
- All fittings and nipples included
- Left or right supply, standard or dropped header (10”), all from same kit
- Makes drier steam with a more stable waterline
- Saves installation time, no need to carry and/or use a pipe threading machine
- Includes Hartford loops with “Y” fittings for condensate return
- Works exclusively with Burnham MegaSteam boilers



Standard Header



Dropped Header

Burnham®
by
U.S. Boiler Company



MegaSteam: Technical Information



Standard Equipment

- 3-pass cast iron section assembly, 50-psi MAWP (maximum allowable working pressure)
- Deluxe, powder coated, removable jacket
- 3" jacket insulation
- Cast iron reversible swing door
- Vacuum formed burner door insulation
- Boiler drain valve
- Barometric draft regulator
- Safety valve
- Beckett AFG flange mounted oil burner w/easy connect power cord (Riello optional)
- Steam gauge
- L4006A (ST & SL models only)
- Gauge glass set
- Removable stainless steel flueway baffles
- Removable cast iron canopy covers
- Junction box w/ plug-in accessor connections
- Mounted spanner bar w/ adjustable legs
- Pressure limit
- LWCO - Hydrolevel CG450
- 222B Tankless heater (ST model only)

MegaSteam Ratings & Specifications

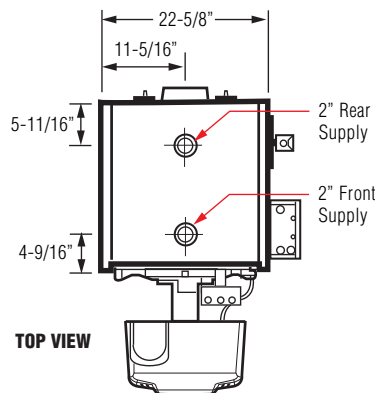
Model	Burner Cap. (GPH) ¹	DOE Heating Cap. (MBH) ²	Net AHRI (MBH)	Net AHRI (sq. ft.) ³	AFUE	Flue Collar Diameter (In.) ⁴	Approx. Shipping Weight. (lbs.)
MST288	0.75	92	69	288	86%	6	607
MST396	1.05	127	95	396	86%	6	607
MST513	1.35	164	123	513	86%	6	744
MST629	1.65	201	151	629	86%	7	881

Notes: Maximum Working Pressure: 15 PSI Steam

1. Burner Capacity is based on oil having Higher Heating Value of 140,000 BTU/Gal.
2. DOE Heating Capacity and Annual Fuel Utilization Efficiency (AFUE) are based on US Government tests at 13.0% CO₂ with No. 1 maximum smoke and 0.00" draft in the breach on standard equipment package.
3. Net AHRI Ratings are based upon pick-up allowance of 1.333. Consult manufacturer with unusual piping and pickup requirements before selecting boiler.
4. Used for sizing flue connection materials.

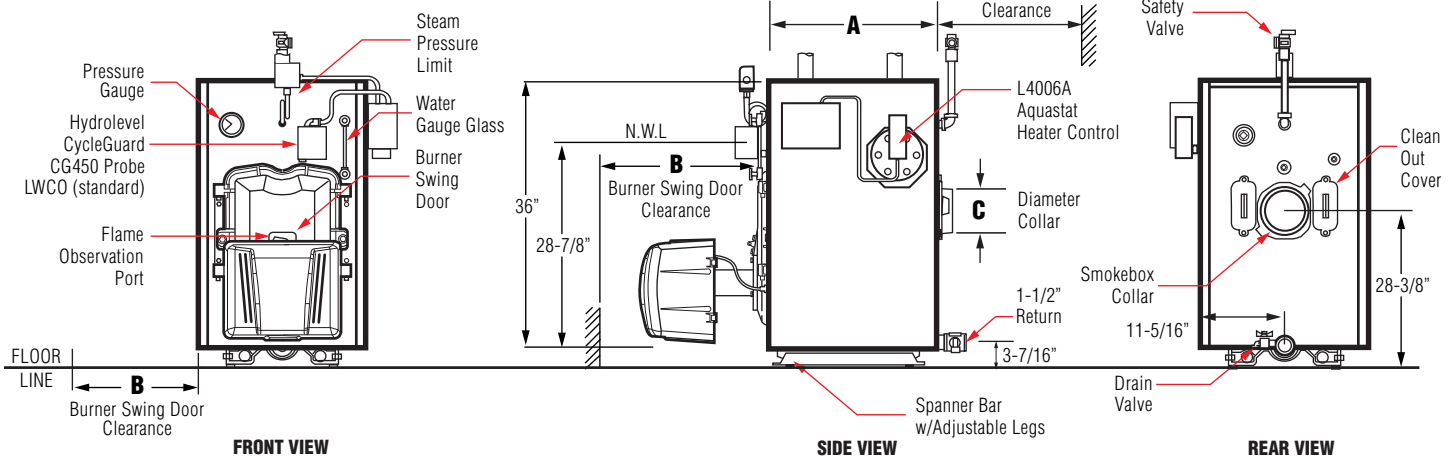
Accessories:

- Near-boiler piping kit for MST 288, 396 & 513 (PN: 101433-01)
- Near-boiler piping kit for MST 629 (PN: 101433-02)



Model	Dimensions (Inches)			Minimum Chimney Requirements			OPTIONAL 222B Tankless Heater	
	A	B	C	Round In. (Diam.)	Rectangle (In. x In.)	Height (Feet)	Rating (GPM)	Pressure Drop (PSI)
MST288	22-5/8	24	6	6	8 x 8	15	3.00	22.0
MST396	22-5/8	24	6	6	8 x 8	15	3.25	24.3
MST513	28-5/8	30	6	7	8 x 8	15	3.50	26.5
MST629	34-5/8	36	7	7	8 x 8	15	4.00	31.0

Notes: Tankless Heater Rating, GPM is based on 100° F temperature rise with 40° F inlet water (intermittent draw) with boiler water temperature of 190° F.



www.usboiler.net

© 2020 U.S. Boiler Company, Inc. - Lancaster, PA
Phone: 1-888-432-8887

