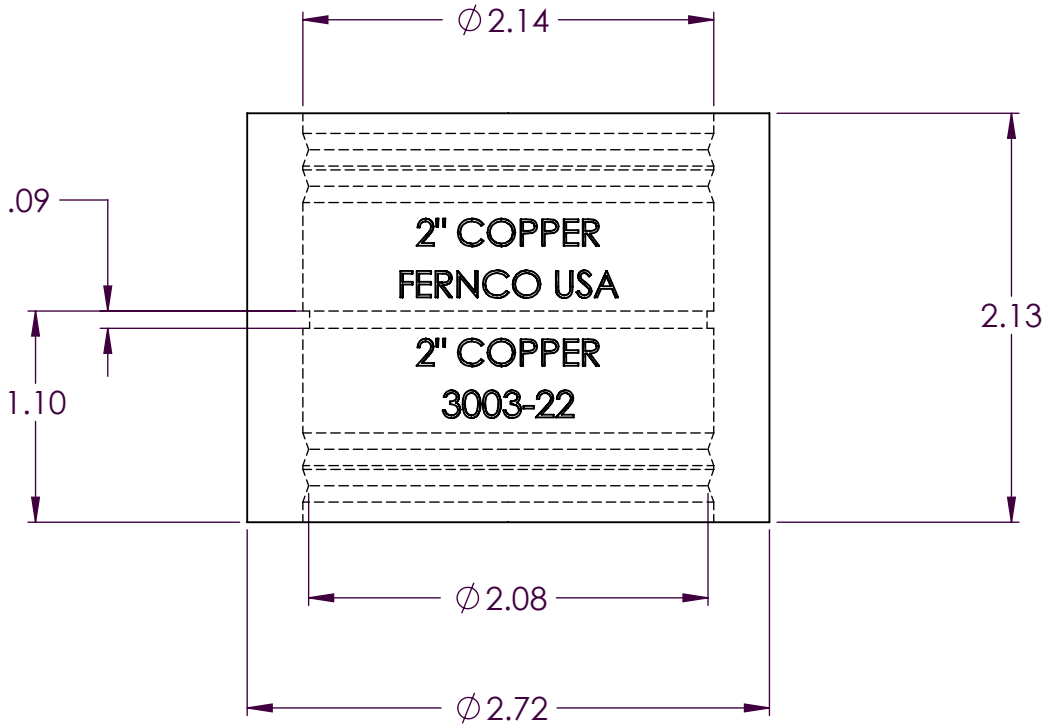
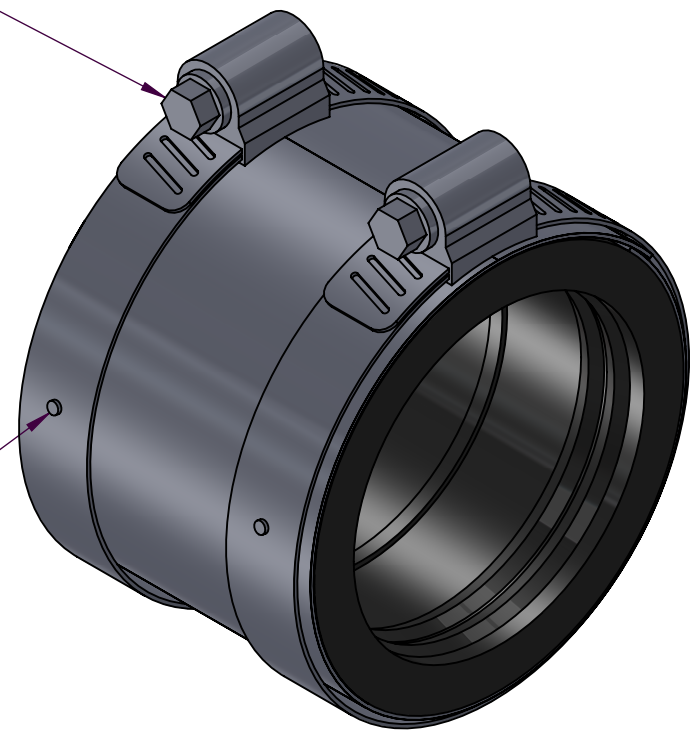


5/16" HEX

RIVETED CONSTRUCTION



**LEGEND:**  
 CI = NO-HUB CAST IRON  
 PL = SCH. 40 PVC  
 ST = STEEL, IRON PIPE SIZE  
 XHCI = EXTRA HEAVY WEIGHT CAST IRON

The Information Contained in this Drawing is the Sole Property of Fernco. Any Reproduction in Part or in Whole without Written Permission is Prohibited.

Clamp/Shield: All 300 SS, Installation Torque 60 in-lb  
 Gasket Material: Rubber Complying to ASTM C564  
 Coupling: Complies to ASTM C 1460  
 Temperature Range: -30 °F to 180 °F  
 Drain, waste and Vent Use Only



Tolerance:  
 Angular  $\pm 3^\circ$   
 X =  $\pm 0.09$   
 .XX =  $\pm 0.06$

SHEET 1 OF 1  
 Drawn by: SR

Part Number:

**3003-22**

DATE: 3/16/2015

Description:

**2" Copper to 2" Copper**

FERNCO INC. DAVISON MI.

Do Not Scale