

# PF1093

## DIE CAST DIVERTER SPOUT



### Product Features

- Material : Zinc
- 5-1/4" reach fits most tubs
- Rear connection with rear-mounted knob to divert water between spout and shower head
- Fits any 3/4" NPT thread-on connection; includes reducer bushing to fit 1/2" NPT thread-on connections

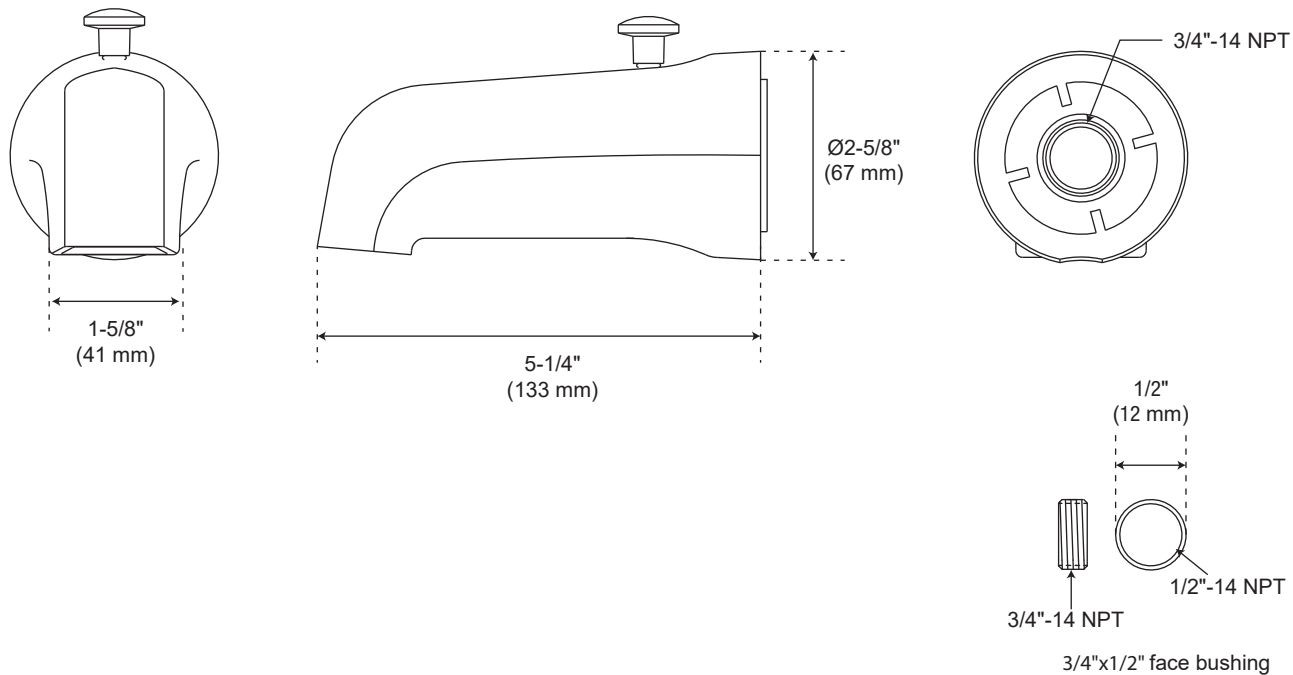


### Codes and Certifications



Certified to ASME A112.18.1 / CSA B125.1  
cUPC/IAPMO listed

**PF1093**



For detailed warranty information, visit [ferguson.com/proflo-faucet-warranty](https://ferguson.com/proflo-faucet-warranty).