

Specifications

PF1096 DIVERTER TUB SPOUT



Product Features

- Zinc alloy construction
- Connection size: 1/2" (5/8" OD) CTS slipfit

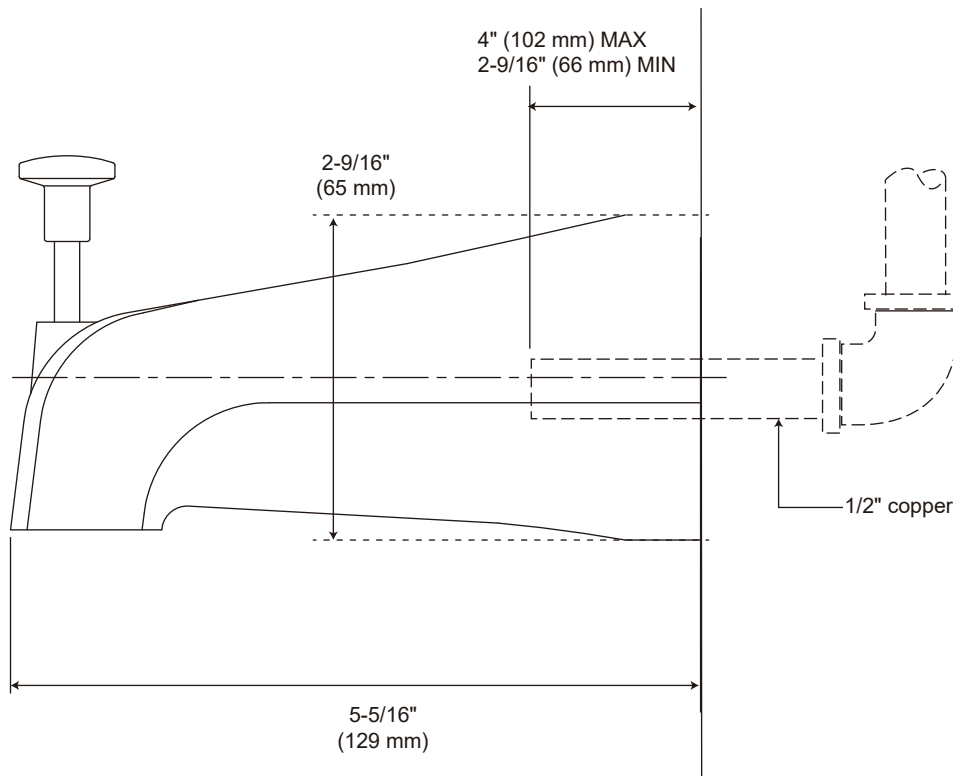
Codes and Certifications



- Certified to ASME A112.18.1 / CSA B125.1
- cUPC/IAPMO listed



PF1096



For detailed warranty information, visit ferguson.com/proflo-faucet-warranty.