

Transformer

Submittal Information
Revision A: May 15, 2008

Project Information

Job Name:

Location:

Part No. Ordered:

Engineer:

Date Submitted:

Contractor:

Submitted By:

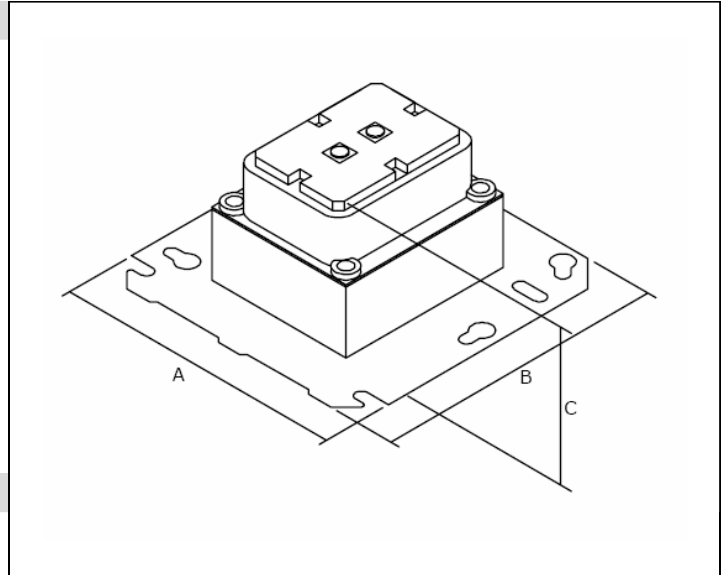
Manufacturer's Representative:

Approved By:

Technical Data

Primary: White - Black, 120 V, 60 Hz, 0.55 A

Secondary: 24VAC, 50 VA



Product Information and Application Use

The 50 VA Transformer (24VAC) comes with a 4" x 4" metal mounting plate.

| ✓ Description | Part Number | A | B | C | Weight |
|-------------------|-------------|-------|-------|-------|-----------|
| 50 VA Transformer | A3050050 | 4.00" | 4.00" | 1.88" | 2.00 lbs. |

Installation

When mounting transformer in a knockout, install in a metal box only. Refer to the Uponor Radiant Installation Handbook for additional information.

Standards

N/A

Codes

N/A

Listings

N/A

Related Applications

Radiant Heating and Cooling Systems

Contact Information

Uponor, Inc.
5925 148th Street West
Apple Valley, MN 55124 USA
Phone: (800) 321-4739
Fax: (952) 891-2008
www.uponor-usa.com

Uponor Ltd.
655 Park Street
Regina, SK S4N 5N1 CANADA
Phone: (888) 994-7726
Fax: (800) 638-9517
www.uponor.ca