

# Submittal Data

PROJECT:	UNIT TAG:	QUANTITY:
REPRESENTATIVE: _____	TYPE OF SERVICE:	DATE: _____
ENGINEER:	SUBMITTED BY:	DATE:
CONTRACTOR:	APPROVED BY:	DATE:
	ORDER NO.:	DATE:



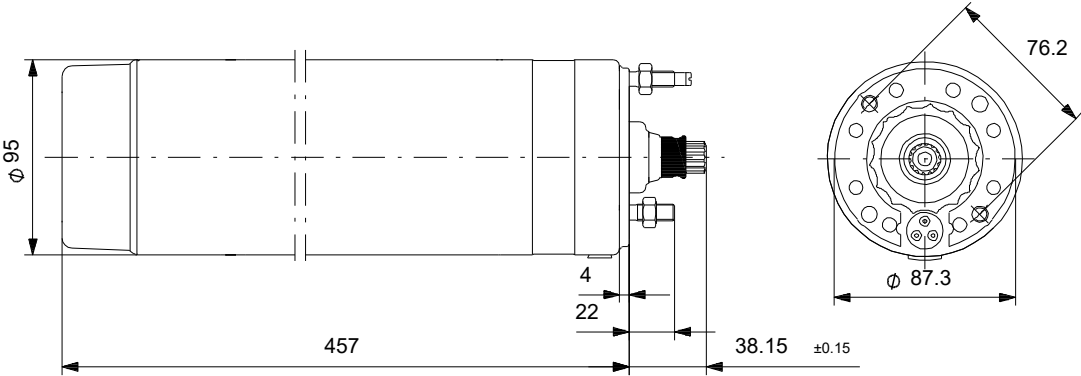
## MS 4000

Submersible motors

Note! Product picture may differ from actual product

Conditions of Service	Pump Data	Motor Data
	Product number: 96405801	Mains frequency: 60 Hz Enclosure class: IP68

# Submittal Data



Materials: