




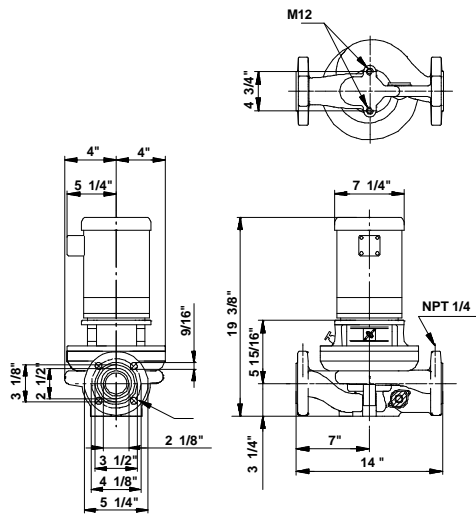
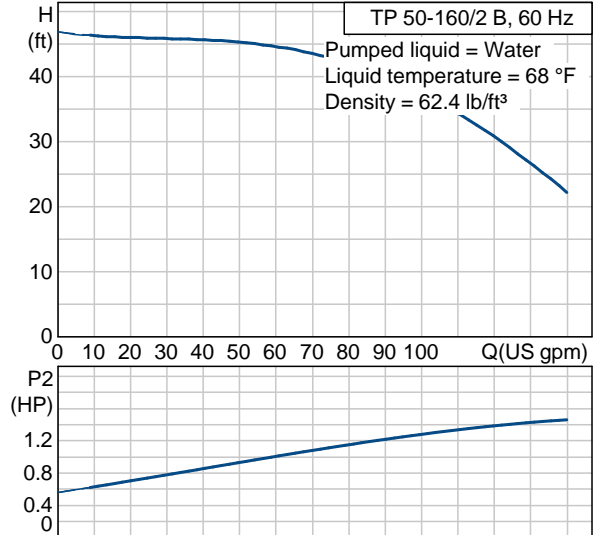
Position	Count	Description	Unit price
	-1	<p><b>TP 50-160/2 B U-G-Z-BUBE</b></p>  <p>Product photo could vary from the actual product</p> <p>Product No.: 96411817 Single-stage centrifugal in-line single-head pump.</p> <p>The in-line design with opposite suction and discharge ports enables mounting in pipework or on a concrete foundation.</p> <p>The shaft seal is a corrosion-resistant maintenance-free mechanical seal.</p> <p>The motor is a 3-phase AC motor.</p> <p><b>Liquid:</b> Liquid temperature range: 5 .. 284 °F Liquid temp: 68 °F</p> <p><b>Technical:</b> Speed for pump data: 3490 rpm Actual calculated flow: 92.5 US gpm Resulting head of the pump: 39.5 ft Shaft seal: BUBE Maximum operating pressure: 145 psi Approvals on motor nameplate: UL Recognized Component, CSA</p> <p><b>Materials:</b> Pump housing: Bronze DIN W.-Nr. 2.1093 Impeller: Stainless steel DIN W.-Nr. 1.4301 AISI 304</p> <p><b>Installation:</b> Maximum ambient temperature: 104 °F Maximum operating pressure: 145 psi Flange standard: USA Pipe connection: 2"</p> <p><b>Electrical data:</b> Motor type: Baldor, TEFC</p>	On request



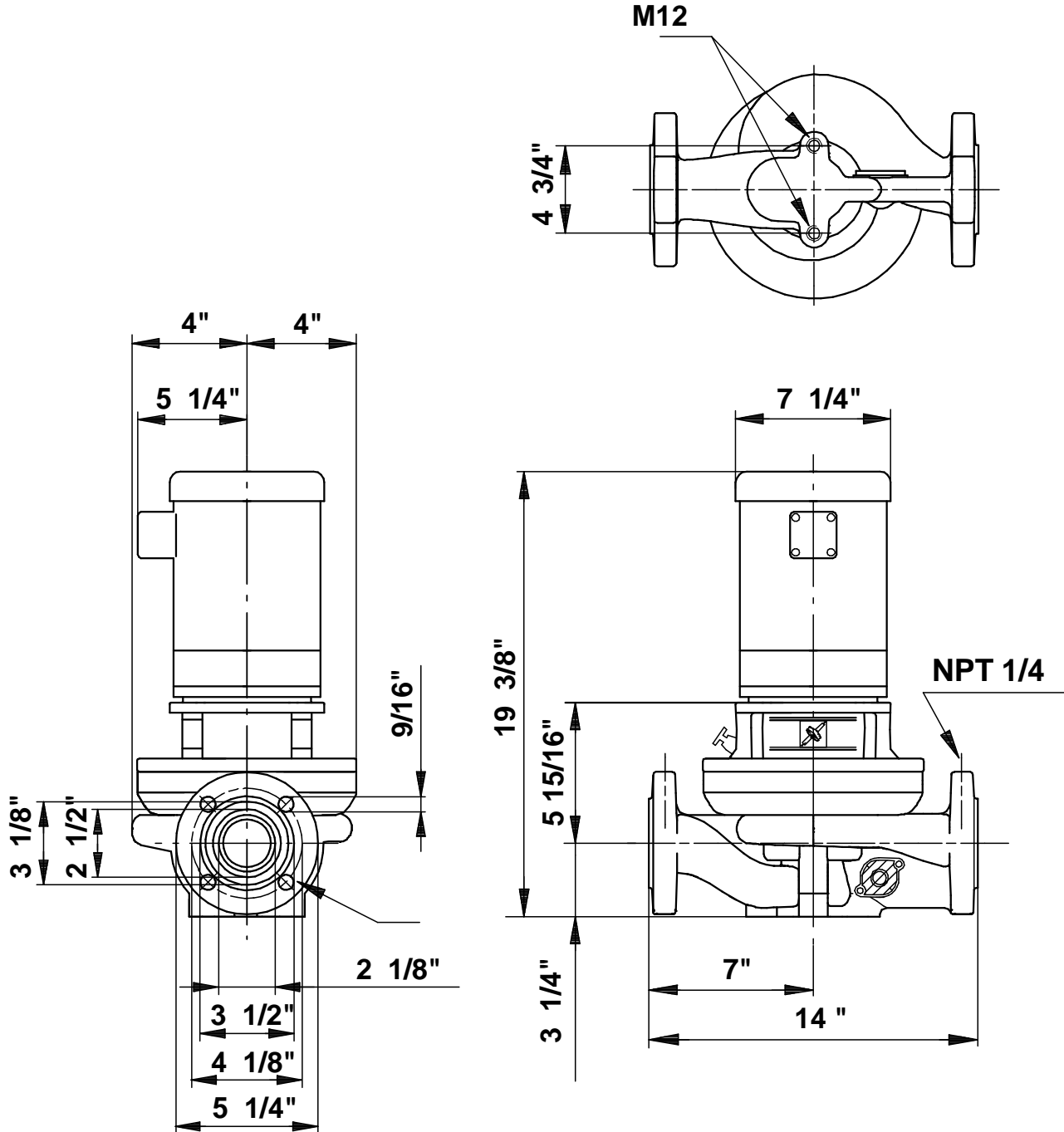
Company name: -  
Created by: -  
Phone: -  
Fax: -  
Date: -

Position	Count	Description	Unit price
		Number of poles: 2 Rated power - P2: 1.48 HP Main frequency: 60 Hz Rated voltage: 3 x 208-230/460 V Service factor: 1,15 Rated current: 5,0-4,6/2,3 A Starting current: 35,4-32/16 A Cos phi - power factor: 76 Rated speed: 3450 rpm Motor efficiency at full load: 75,5 % Insulation class (IEC 85): B  <b>Others:</b> Net weight: 85.1 lb Gross weight: 93.7 lb Shipping volume: 2.33 ft <sup>3</sup>	

Description	Value
Product name:	TP 50-160/2 B U-G-Z-BUBE U-G-Z BUBE
Product Number:	96411817
EAN number:	5700390524906
<b>Technical:</b>	
Speed for pump data	3490 rpm
Actual calculated flow:	92.5 US gpm
Resulting head of the pump:	39.5 ft
Head max:	52.5 ft
Shaft seal:	BUBE
Maximum operating pressure	145 psi
Approvals on motor nameplate:	UL Recognized Component, CSA
Pump Number:	96405266
Pump version:	U
<b>Materials:</b>	
Pump housing:	Bronze DIN W.-Nr. 2.1093
Impeller:	Stainless steel DIN W.-Nr. 1.4301 AISI 304
Material code:	Z
<b>Installation:</b>	
Maximum ambient temperature:	104 °F
Maximum operating pressure	145 psi
Flange standard:	USA
Connect code:	G
Pipe connection:	2"
<b>Liquid:</b>	
Liquid temperature range	5 .. 284 °F
Liquid temp:	68 °F
<b>Electrical data:</b>	
Motor type:	Baldor, TEFC
Number of poles:	2
Rated power - P2:	1.48 HP
KVA code:	G
Main frequency:	60 Hz
Rated voltage:	3 x 208-230/460 V
Service factor:	1,15
Rated current:	5,0-4,6/2,3 A
Starting current	35,4-32/16 A
Load current:	5,8-5,4/2,7 A
Cos phi - power factor:	76
Rated speed:	3450 rpm
Motor efficiency at full load:	75,5 %
Insulation class (IEC 85):	B
Motor protection:	NONE
Motor Number:	85600005
<b>Others:</b>	
Net weight:	85.1 lb
Gross weight:	93.7 lb
Shipping volume:	2.33 ft³
Country code:	Namreg



96411817 TP 50-160/2 B 60 Hz



Note! All units are in [mm] unless others are stated.  
 Disclaimer: This simplified dimensional drawing does not show all details.