

TABLE OF CONTENTS

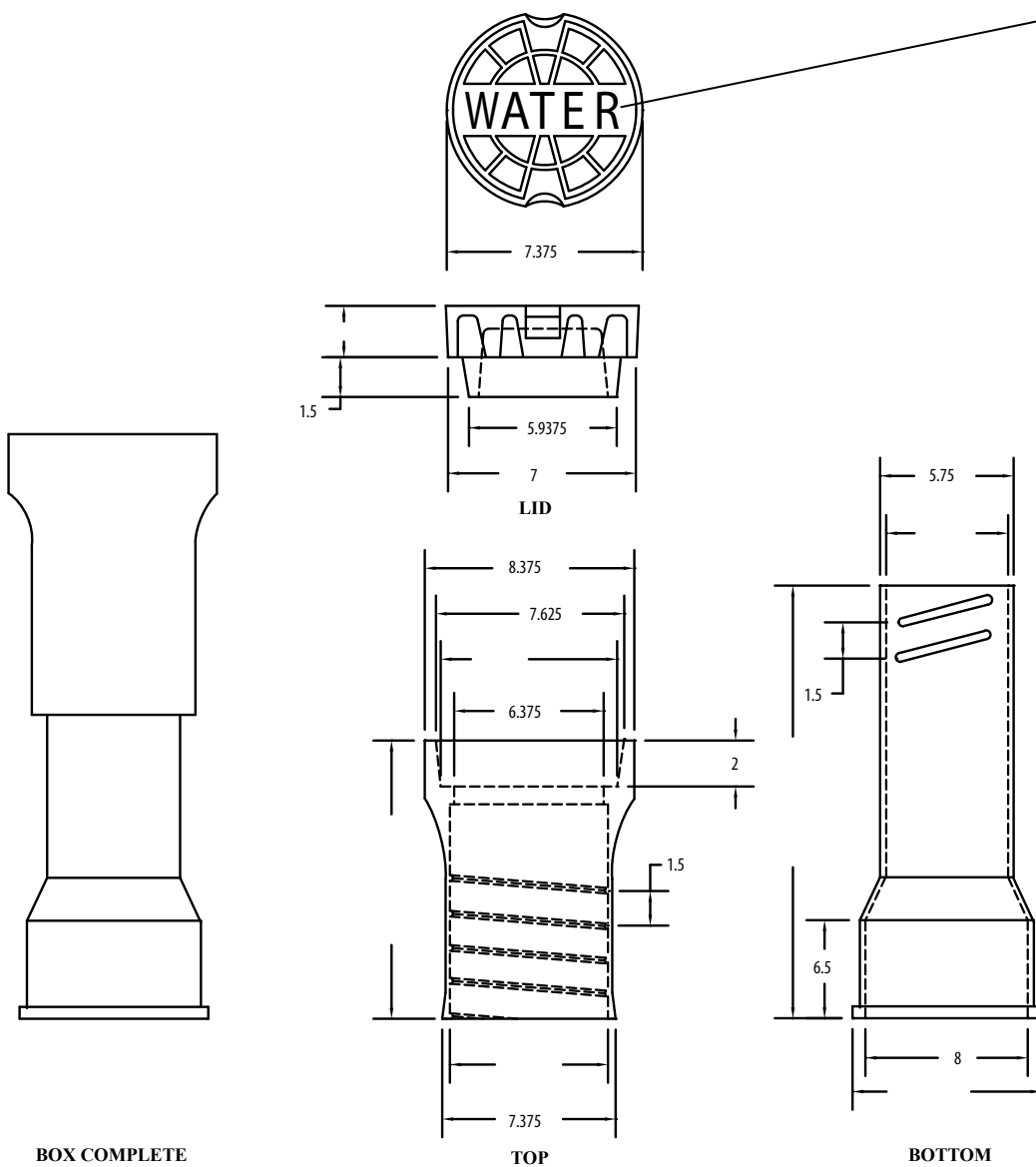
CONTENTS PAGE 1 OF 2
MB-0001 / MB-0043

NAME	CAT #	NAME	CAT #
2 PIECE STANDARD SCREW TYPE VALVE BOX	VB-0001	2193 VALVE BOX	VB-0044
2 PIECE HEAVY DUTY SCREW TYPE VALVE BOX (OPTIONAL CLASS 35B)	VB-0002	2194 VALVE BOX	VB-0045
2 PIECE STANDARD SLIP TYPE VALVE BOX	VB-0003	2195 VALVE BOX	VB-0046
2 PIECE HEAVY DUTY SLIP TYPE VALVE BOX	VB-0004	2196 VALVE BOX	VB-0047
3 PIECE STANDARD SCREW TYPE VALVE BOX	VB-0005	2197 VALVE BOX	VB-0048
3 PIECE HEAVY DUTY SCREW TYPE VALVE BOX	VB-0006	VBIWCW	VB-0049
2 PIECE HEAVY DUTY NO FLANGE VALVE BOX - CLASS 35B	VB-0007	#583 "SEWER/WATER" VB	VB-0050
#4 VALVE BOX BASE	VB-0008	CORPUS CHRISTI VB	VB-0051
#6 VALVE BOX BASE	VB-0009	ORO VALLEY "WATER" VB	VB-0052
#160 VALVE BOX BASE (OPTIONAL CLASS 35B)	VB-0010		
SCREW TYPE VALVE BOX EXTENSION	VB-0011		
SLIP TYPE VALVE BOX EXTENSION	VB-0012		
24" #60 HEAVY SCREW TYPE EXTENSION (OPTIONAL CLASS 35B)	VB-0013		
5 1/4" LID STANDARD	VB-0014		
5 1/4" LID HEAVY DUTY	VB-0015		
5 1/4" WATER LID HEAVY DUTY W/ 2" SKIRT	VB-0016		
5 1/4" WATER LID HEAVY DUTY W/ 4" VANES	VB-0017		
LOCKING LID	VB-0018		
5 1/4" VALVE BOX RISER	VB-0019		
ADJUSTABLE VALVE BOX RISER	VB-0020		
15" SLIP TYPE ADJUSTABLE VALVE BOX RISER CLASS 35B	VB-0021		
CITY OF HOUSTON "A" TYPE STANDARD VALVE BOX CLASS 35B	VB-0022		
FLORIDA RECLAIMED VALVE BOX	VB-0023		
AUSTIN VALVE BOX	VB-0024		
SAN ANTONIO VALVE BOX	VB-0025		
DALLAS VALVE BOX (SHORTY)	VB-0026		
ALBUQUERQUE VALVE BOX	VB-0027		
ROADWAY TYPE NASHVILLE STANDARD	VB-0028		
DETAIL 198 VALVE BOX	VB-0029		
TUCSON VALVE BOX	VB-0030		
045 VALVE BOX	VB-0031		
SAN DIEGO VALVE BOX	VB-0032		
910 VALVE BOX	VB-0033		
940 8" VALVE BOX	VB-0034		
940 18" VALVE BOX	VB-0035		
950 VALVE BOX	VB-0036		
DEEP WELL VALVE BOX BOTTOM	VB-0037		
CLEVELAND VALVE BOX	VB-0038		
COLUMBUS HEAVY DUTY VALVE BOX	VB-0039		
CHARLOTTE VB	VB-0040		
3 PIECE 708A VALVE BOX	VB-0041		
107 VALVE BOX	VB-0042		
RISER FOR VB107	VB-0043		

2 PIECE STANDARD SCREW TYPE VALVE BOX

VB-0001

ITEM CODE	HEIGHT	LENGTH	
		TOP	BOT.
VB461S	19-21	10	15
VB462S	27-32	10	24
VB562S	27-37	16	24
VB564S	39-50	16	36
VB664S	39-60	26	36



LID LETTER OPTIONS*

- WATER
- SEWER
- RECLAIM
- IRRIGATION
- GAS
- FIRE

.....
*Unless specified, all VB shipped with "WATER" lids.

Notes:
 - Material - Cast Iron Per ASTM A48 Class 30B
 - Dimensions in Inches



2 PIECE HEAVY DUTY SCREW TYPE VALVE BOX (OPTIONAL CLASS 35B)

VB-0002

ITEM CODE CL 30B	ITEM CODE CL 35B	HEIGHT	LENGTH	
			TOP	BOT.
VB461SHD	VB461SHD35	19-21	10	15
VB462SHD	VB462SHD35	27-32	10	24
VB562SHD	VB562SHD35	27-37	16	24
VB564SHD	VB564SHD35	39-50	16	36
VB664SHD	VB664SHD35	39-60	26	36
◆VB666SHD	VB666SHD35	51-71	26	48
★VB668SHD	VB668SHD35	62-82	26	60

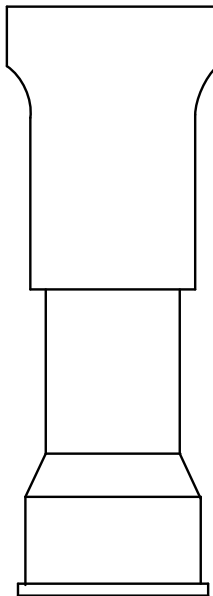
- ◆ - Optional bottom (48" one piece or 24" bottom w/ 24" extension) - Please indicate your preference
- ★ - Bottom is in two pieces (36" bottom and 24" extension)



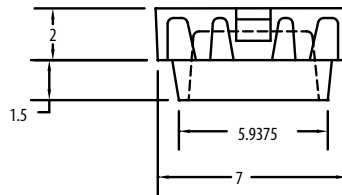
LID LETTER OPTIONS*

- WATER
- SEWER
- RECLAIM
- IRRIGATION
- GAS
- FIRE

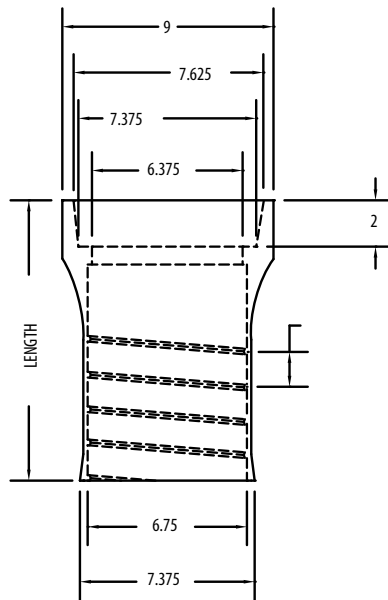
*Unless specified, all VB shipped with "WATER" lids.



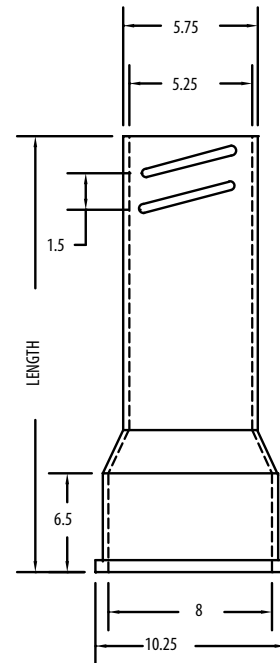
BOX COMPLETE



LID



TOP



BOTTOM

Notes:

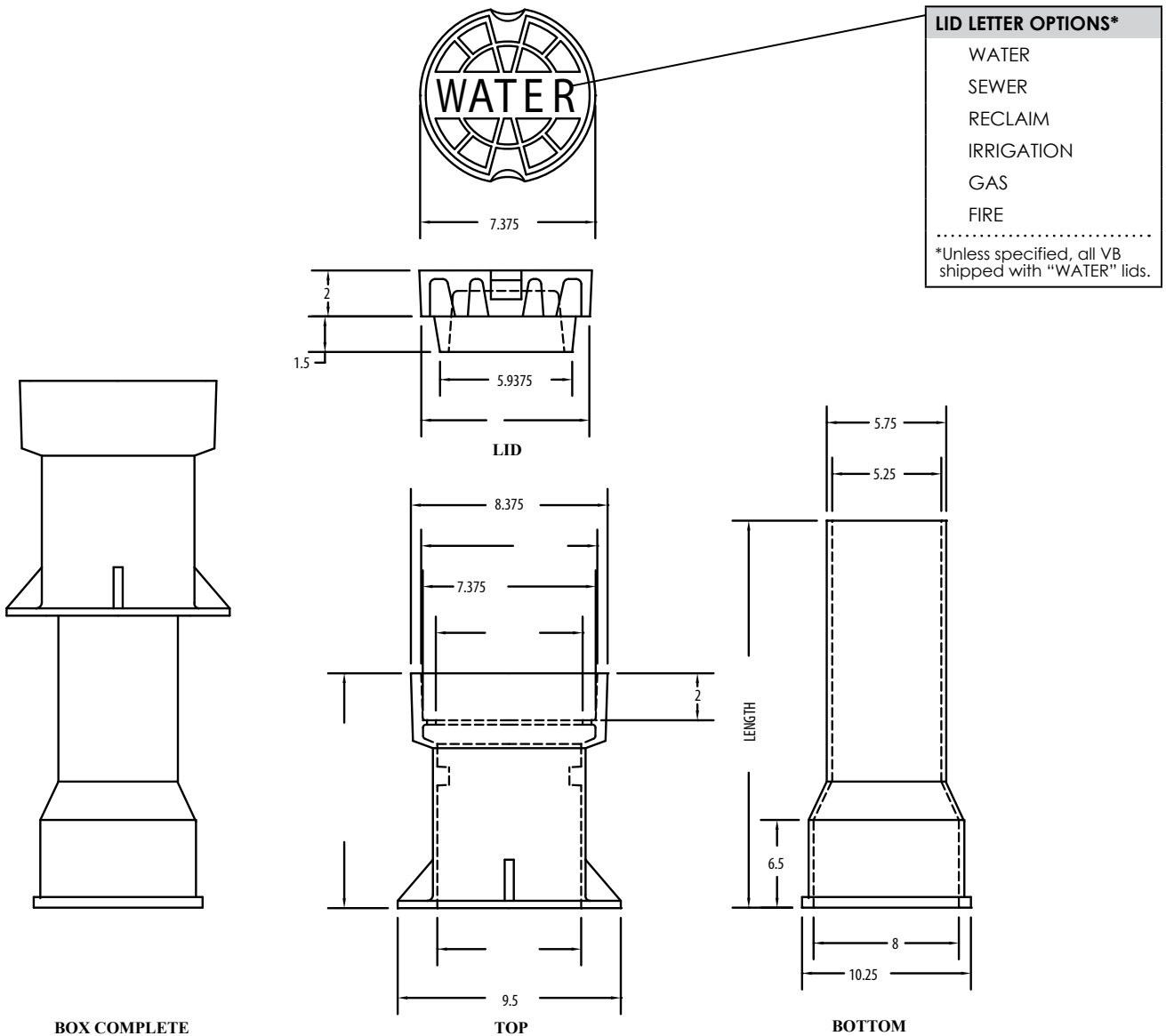
- Material - Cast Iron Per ASTM A48 Class 30B or 35B
- Dimensions in Inches

2 PIECE STANDARD SLIP TYPE VALVE BOX

VB-0003

ITEM CODE	HEIGHT	LENGTH	
		TOP	BOT.
VB461A	20-25	10	15
VB462A	29-33	10	24
VB562A	29-38	16	24
VB564A	41-51	16	36
VB664A	41-61	26	36
◆VB666A	53-73	26	48

◆ - Optional bottom (48" one piece or 24" bottom w/ 24" extension) - Please indicate your preference



Notes:

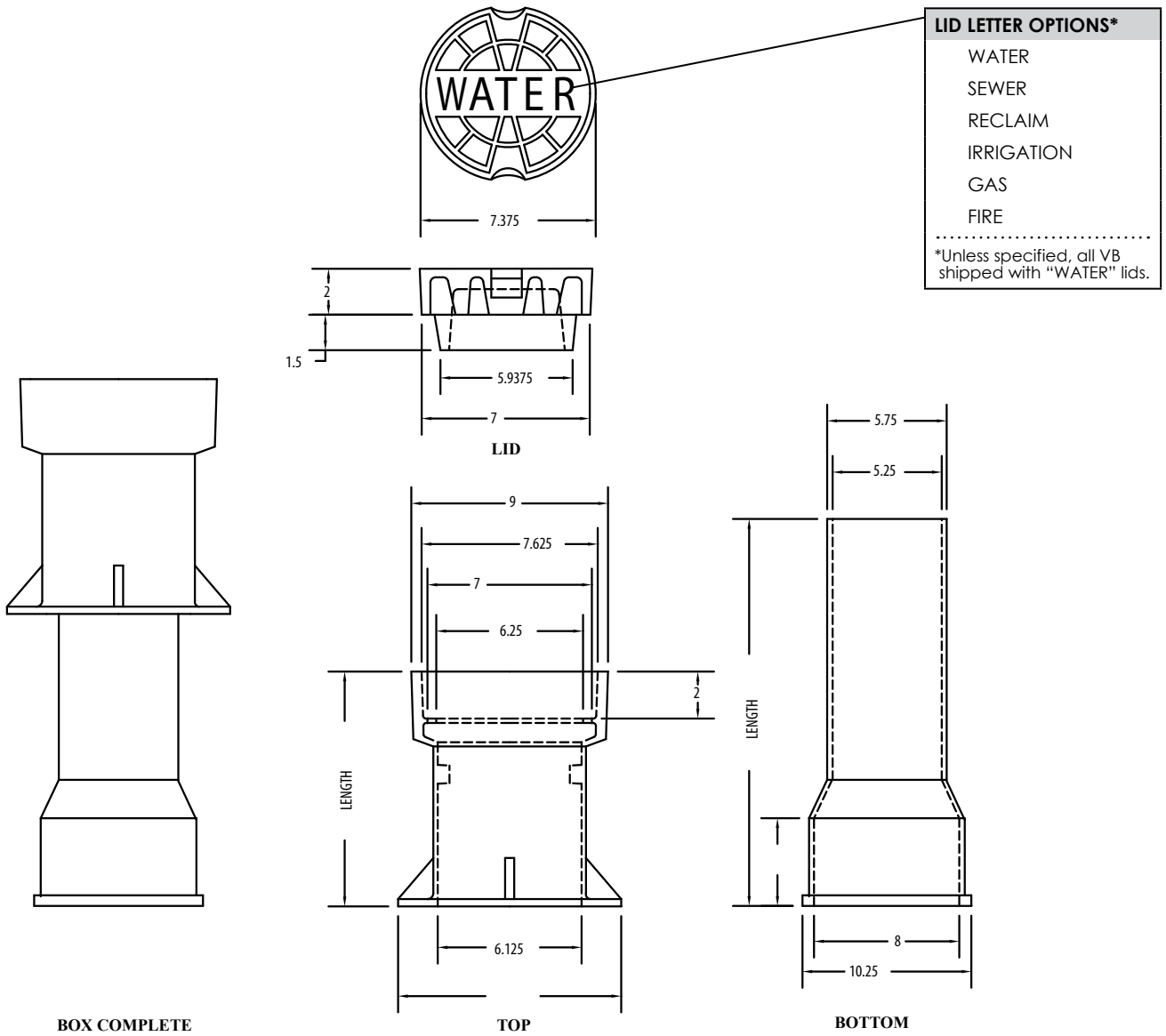
- Material - Cast Iron Per ASTM A48 Class 30B
- Dimensions in Inches

2 PIECE HEAVY DUTY SLIP TYPE VALVE BOX

VB-0004

ITEM CODE	HEIGHT	LENGTH	
		TOP	BOT.
VB562AHD	29-38	16	24
VB564AHD	41-51	16	36
VB664AHD	41-61	26	36
◆VB666AHD	53-73	26	48

◆ - Optional bottom (48" one piece or 24" bottom w/ 24" extension) - Please indicate your preference



Notes:

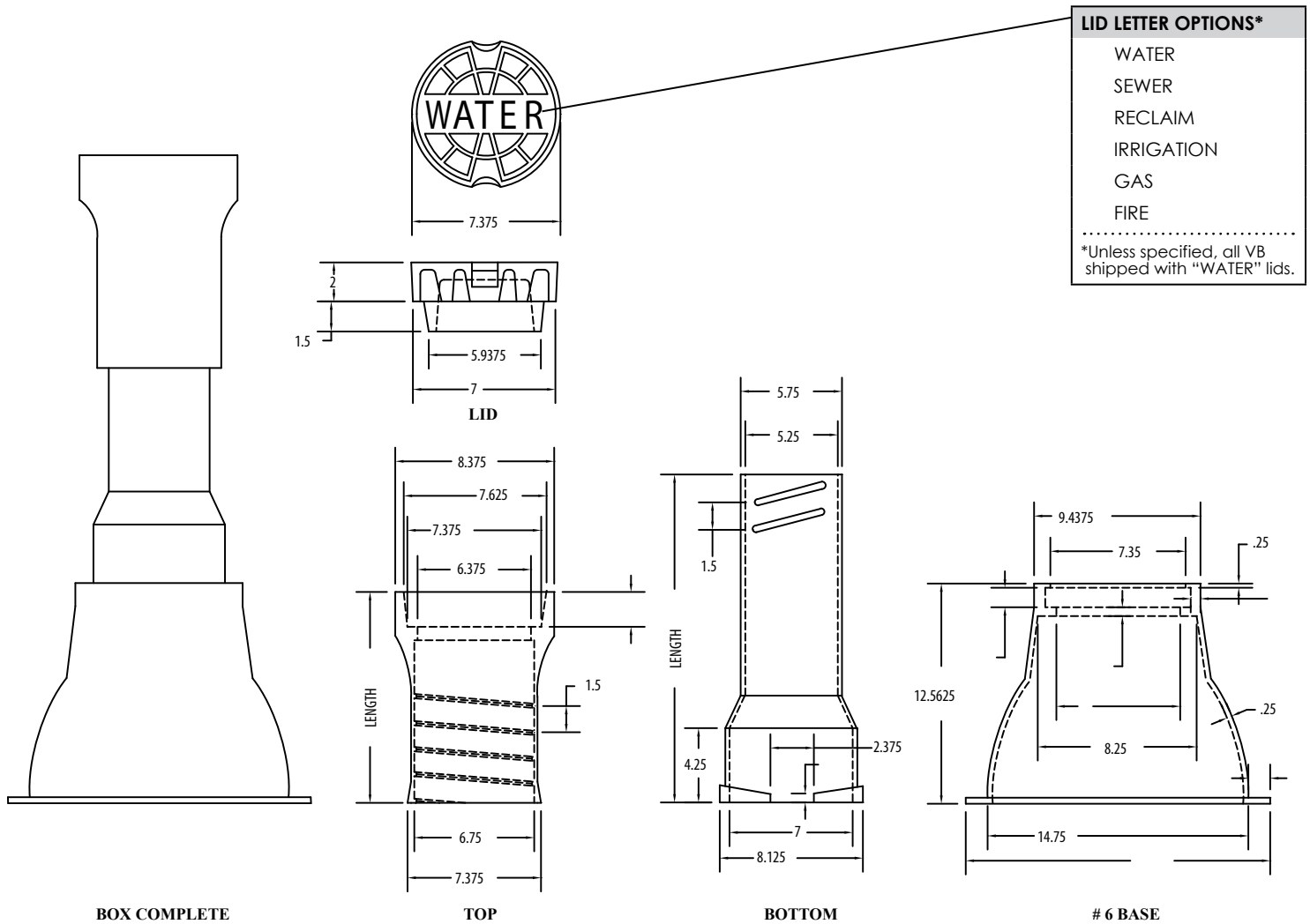
- Material - Cast Iron Per ASTM A48 Class 30B
- Dimensions in Inches



3 PIECE STANDARD SCREW TYPE VALVE BOX

VB-0005

ITEM CODE	HEIGHT	LENGTH	
		TOP	BOT.
VBAS-3	33-42	16	18
VBB	39-49	16	24
VBC	45-54	16	30



Notes:
 - Material - Cast Iron Per ASTM A48 Class 30B
 - Dimensions in Inches



® REGISTERED TRADEMARK OF STAR PIPE PRODUCTS

STAR® PIPE PRODUCTS
 HOUSTON CORPORATE | TOLL FREE 1-800-999-3009 | FAX 281-558-9000
 www.starpipeproducts.com

3 PIECE HEAVY DUTY SCREW TYPE VALVE BOX

VB-0006

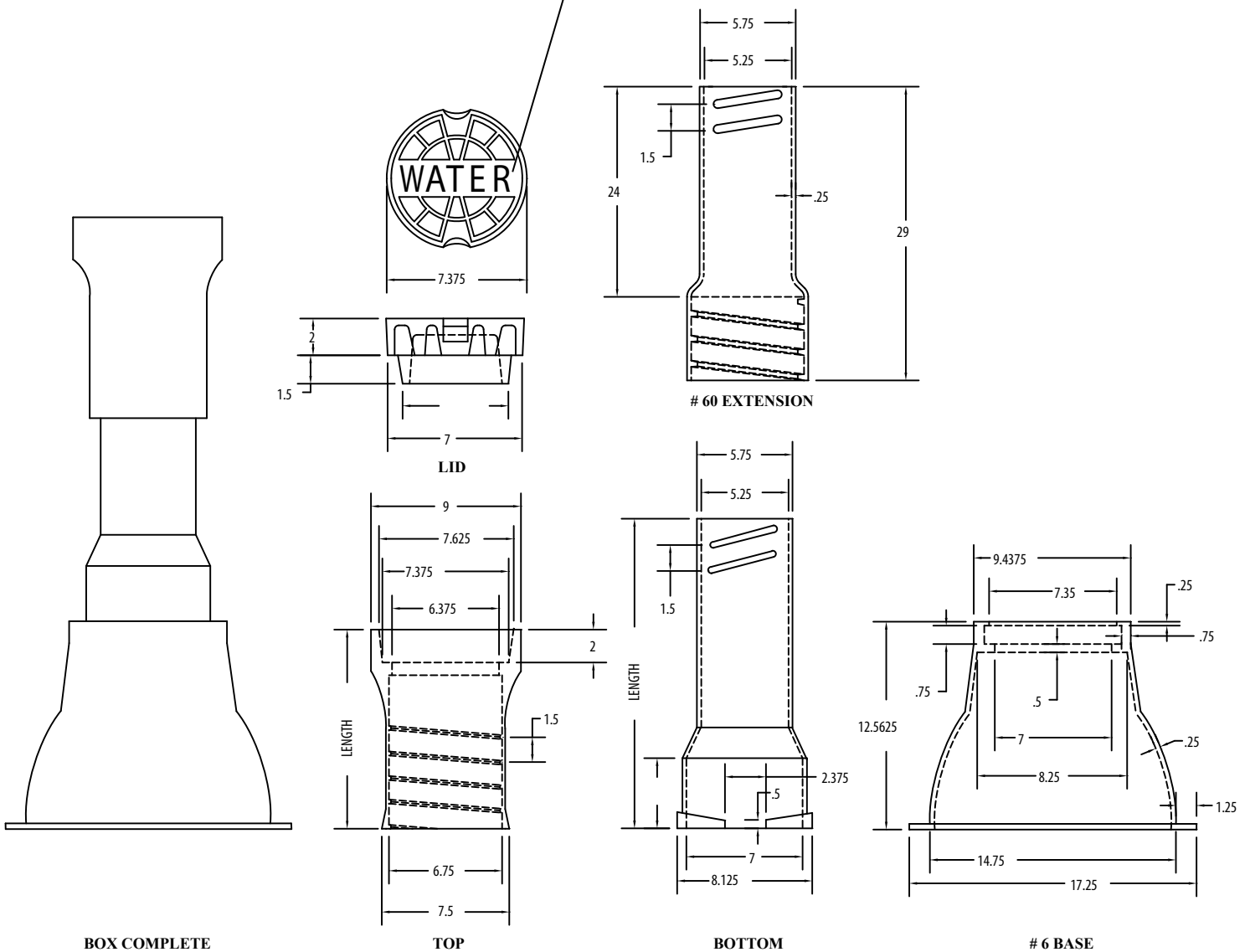
ITEM CODE	HEIGHT	LENGTH		
		TOP	BOT.	EXT.
VBASHD	33-42	16	18	-
VBBHD	39-49	16	24	-
VBCHD	45-54	16	30	-
VBCCHD	51-60	16	36	-
VBDHD	45-66	26	30	-
VBDDHD	51-72	26	36	-
◆VBEHD	63-72	16	48	◆
◆VBFHD	63-84	26	48	◆
VBGHD	74-94	26	36	24

- Optional bottom (48" one piece or 24" bottom w/ 24" extension) - Please indicate your preference

LID LETTER OPTIONS*

- WATER
- SEWER
- RECLAIM
- IRRIGATION
- GAS
- FIRE

.....
*Unless specified, all VB shipped with "WATER" lids.



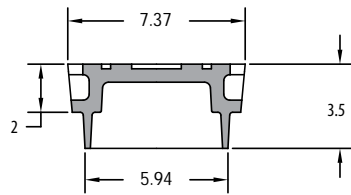
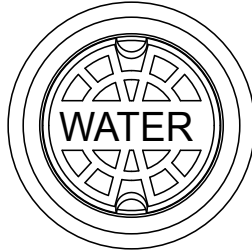
Notes:
- Material - Cast Iron Per ASTM A48 Class 30B
- Dimensions in Inches



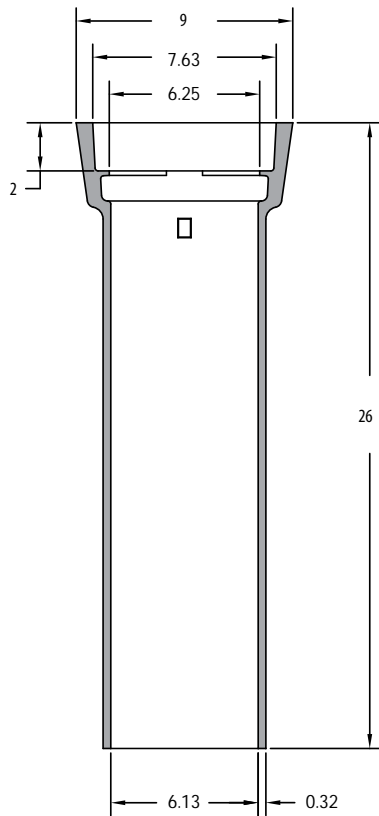
2 PIECE HEAVY DUTY NO FLANGE VALVE BOX - CLASS 35B

VB-007

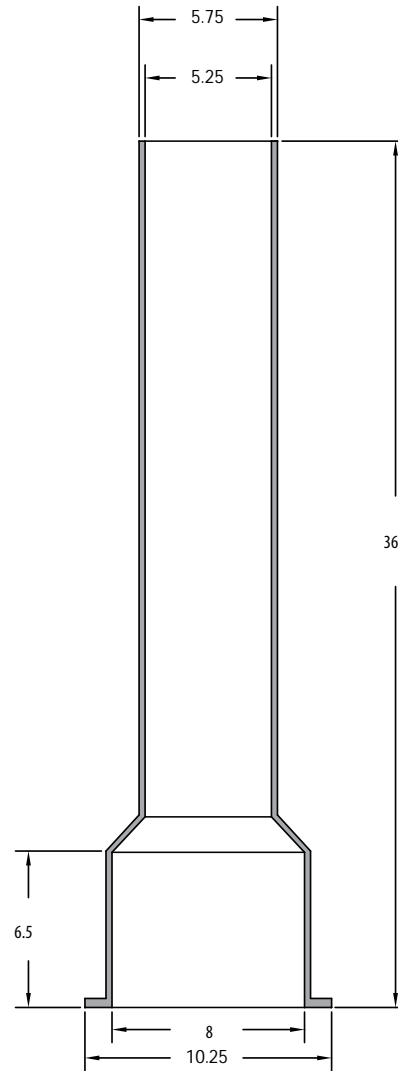
ITEM CODE
VBNFLG35
VBT26AHDNF35 (TOP NO FLANGE)
VBB36AHD35
VBLIDHD35



LID - VBLIDHD35



TOP - VBT26AHDNF35



BOTTOM - VBB36AHD35

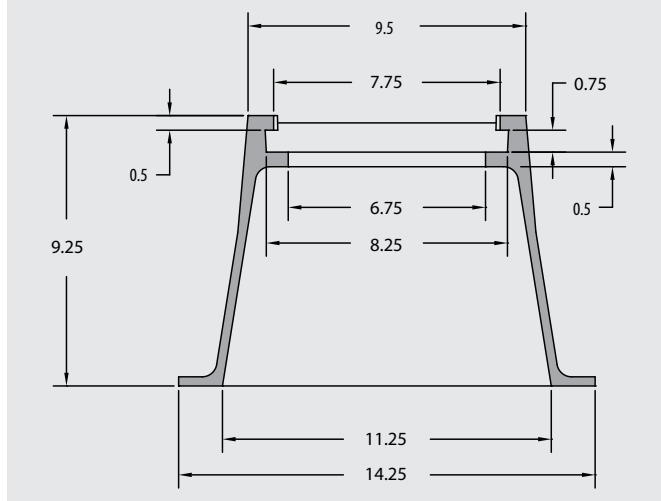
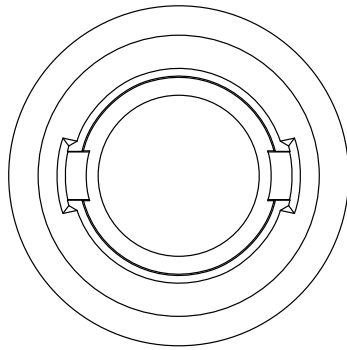
Notes:

- Material - Cast Iron Per ASTM A48 Class 35B
- Dimensions in Inches



#4 VALVE BOX BASE

VB-0008

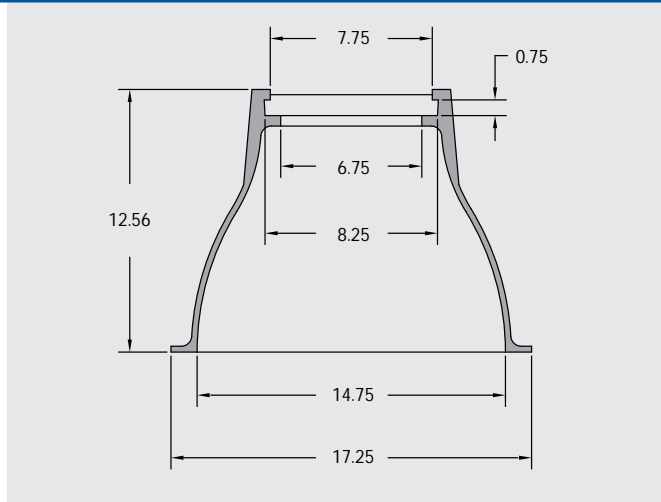
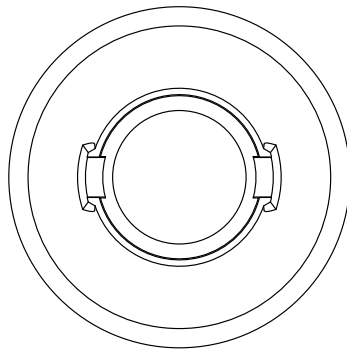


ITEM CODE
VBBASE#4

- Notes:**
- Material - Cast Iron Per ASTM A48 Class 30B
 - Dimensions in Inches

#6 VALVE BOX BASE

VB-0009

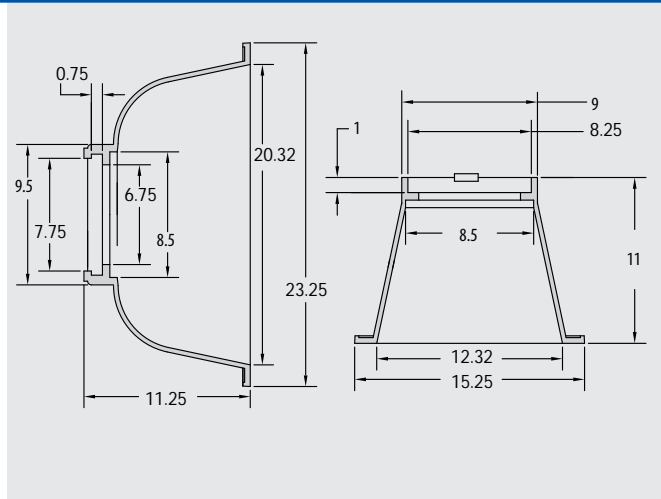
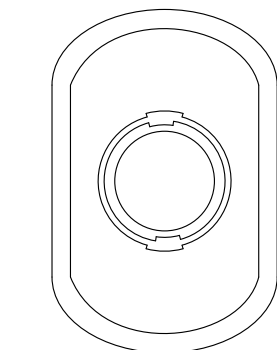


ITEM CODE
VBBASE#6

- Notes:**
- Material - Cast Iron Per ASTM A48 Class 30B
 - Dimensions in Inches

#160 VALVE BOX BASE (OPTIONAL CLASS 35B)

VB-0010



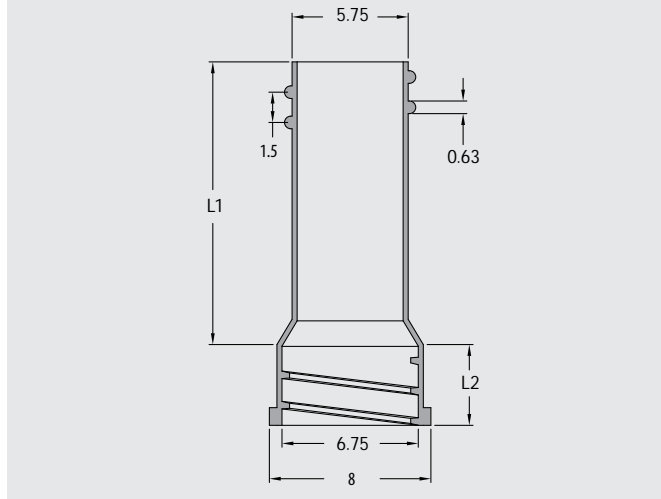
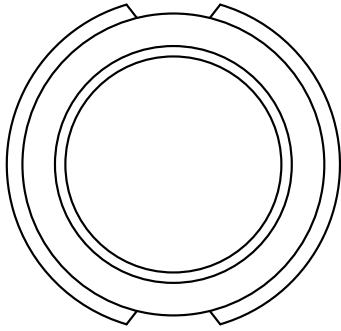
ITEM CODE
VBBASE#160
VBBASE#160CL35

- Notes:**
- Material - Cast Iron Per ASTM A48 Class 30B or 35B
 - Dimensions in Inches



SCREW TYPE VALVE BOX EXTENSION

VB-0011

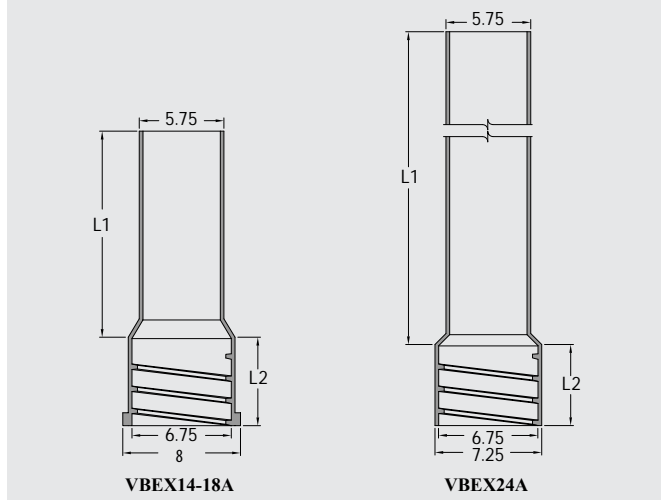
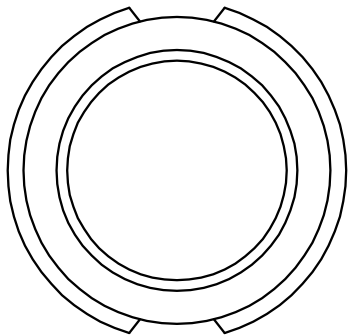


ITEM CODE	DETAILS (L1)	DETAILS (L2)
VBEX12S	12	4
VBEX14S	14	4
VBEX18S	18	4
VBEX20S	20	4
VBEX24S	24	4

- Notes:**
- Material - Cast Iron
Per ASTM A48 Class 30B
 - Dimensions in Inches

SLIP TYPE VALVE BOX EXTENSION

VB-0012

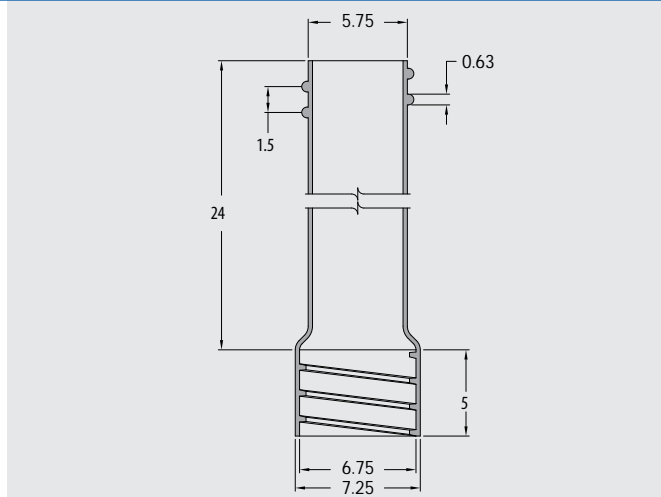
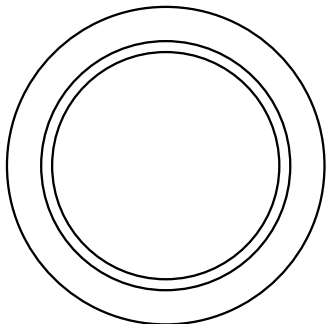


ITEM CODE	L1	L2
VBEX14A	14	6
VBEX18A	18	6
VBEX24A	24	5.5

- Notes:**
- Material - Cast Iron
Per ASTM A48 Class 30B
 - Dimensions in Inches

24" #60 HEAVY SCREW TYPE EXTENSION (OPTIONAL CLASS 35B)

VB-0013



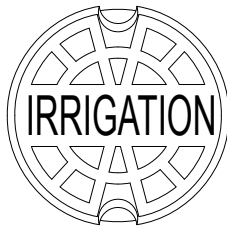
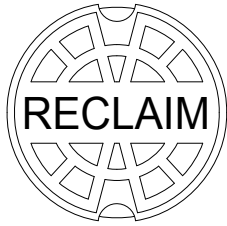
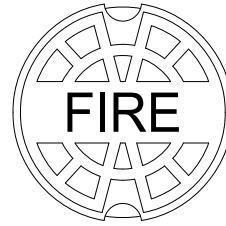
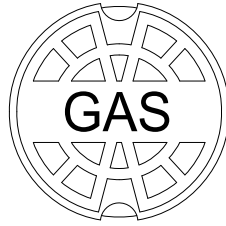
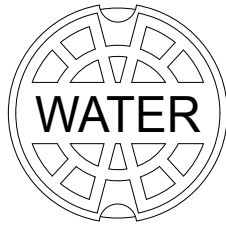
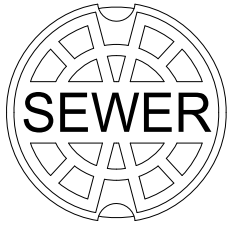
ITEM CODE
VBEX24SHD#60
VBEX24SHD#60CL35

- Notes:**
- Material - Cast Iron
Per ASTM A48 Class 30B or 35B
 - Dimensions in Inches

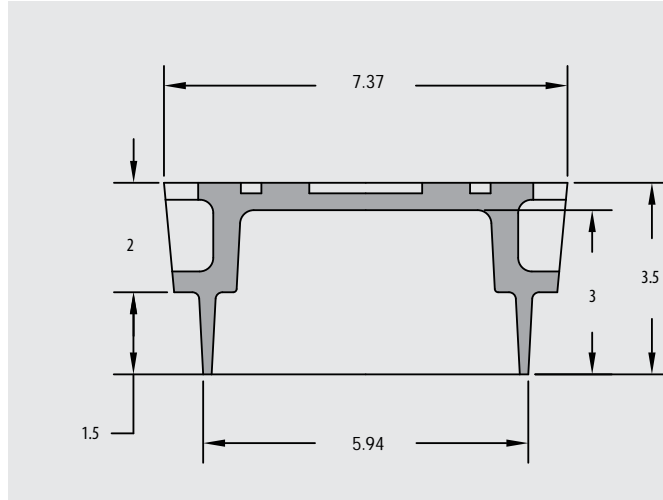


5 1/4" LID STANDARD

VB-0014



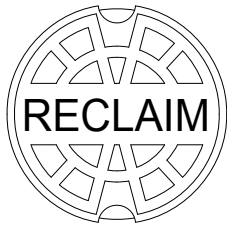
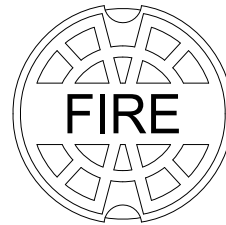
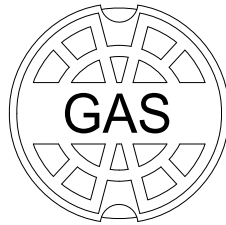
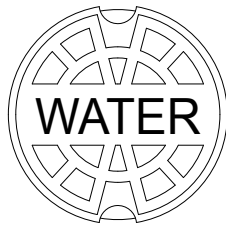
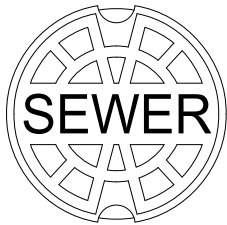
ITEM CODE	DETAILS
VBLIDS	SEWER
VBLIDW	WATER
VBLGAS	GAS
VBLIDF	FIRE
VBLIDRW	RECLAIM
VBLIDIRR	IRRIGATION



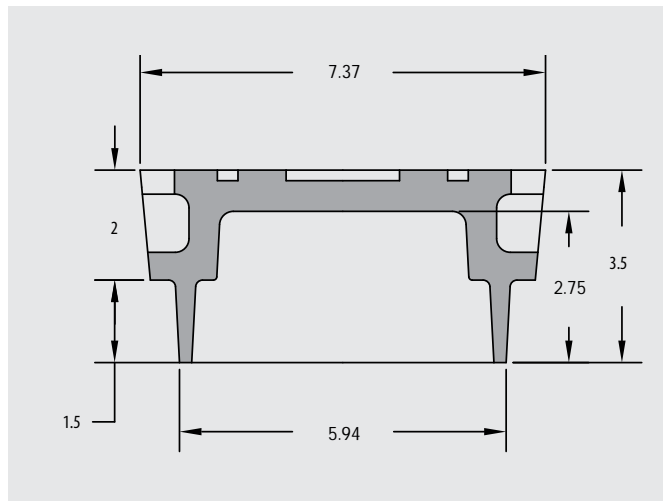
Notes:
 - Material - Cast Iron
 Per ASTM A48 Class 30B
 - Dimensions in Inches

5 1/4" LID HEAVY DUTY

VB-0015



ITEM CODE	DETAILS
VBLIDSHD	SEWER
VBLIDHD	WATER
VBLIDGASHD	GAS
VBLIDFHD	FIRE
VBLIDRWHD	RECLAIM
VBLIDRRHD	IRRIGATION

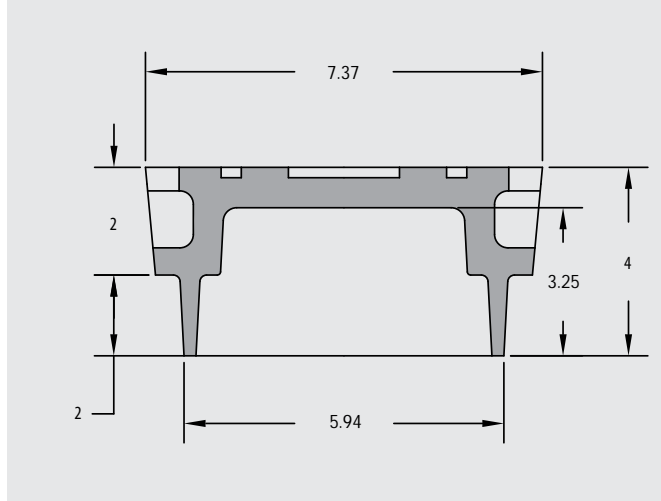
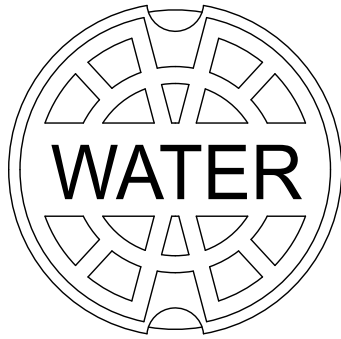


Notes:
 - Material - Cast Iron
 Per ASTM A48 Class 30B
 - Dimensions in Inches



5 1/4" WATER LID HEAVY DUTY W/ 2" SKIRT

VB-0016

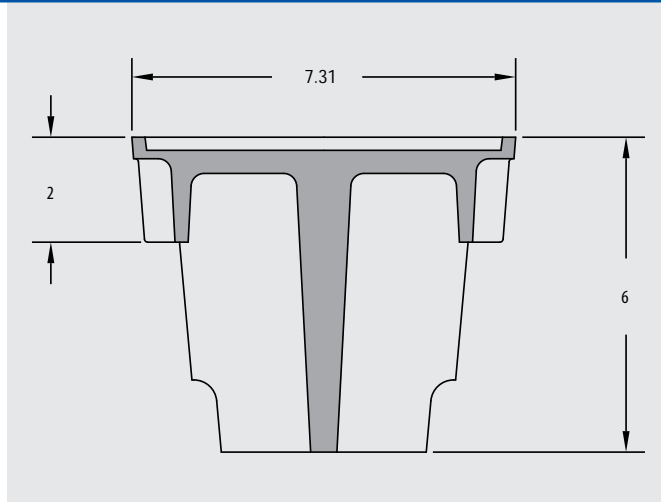
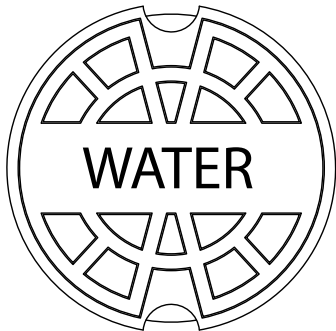


ITEM CODE
VBLIDHD2

- Notes:**
- Material - Cast Iron
Per ASTM A48 Class 30B
 - Dimensions in Inches

5 1/4" WATER LID HEAVY DUTY W/ 4" VANES

VB-0017

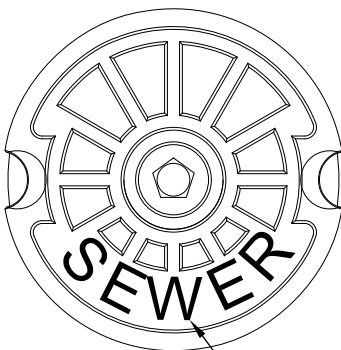


ITEM CODE
VBLIDLK

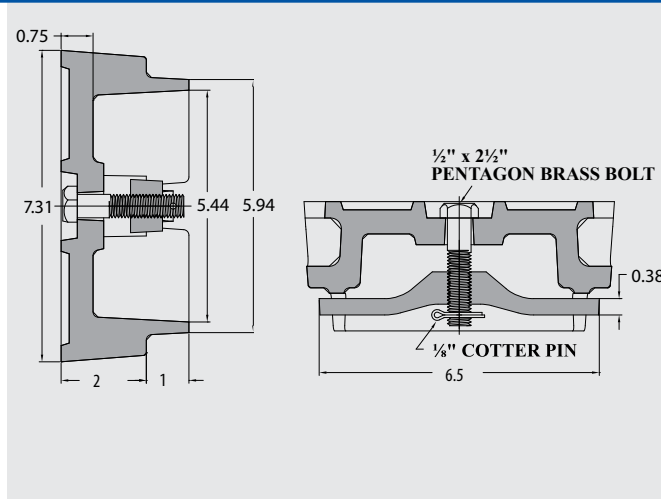
- Notes:**
- Material - Cast Iron
Per ASTM A48 Class 30B
 - Dimensions in Inches

LOCKING LID

VB-0018



SEE DETAILS FOR OPTIONAL LETTERING



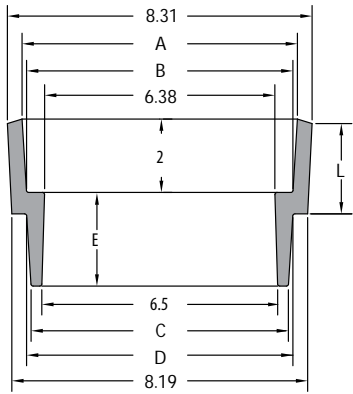
ITEM CODE	DETAILS
VBLIDLOCKS	SEWER
VBLIDLOCK	WATER

- Notes:**
- Material - Cast Iron
Per ASTM A48 Class 30B
 - Dimensions in Inches



5 1/4" VALVE BOX RISER

VB-0019



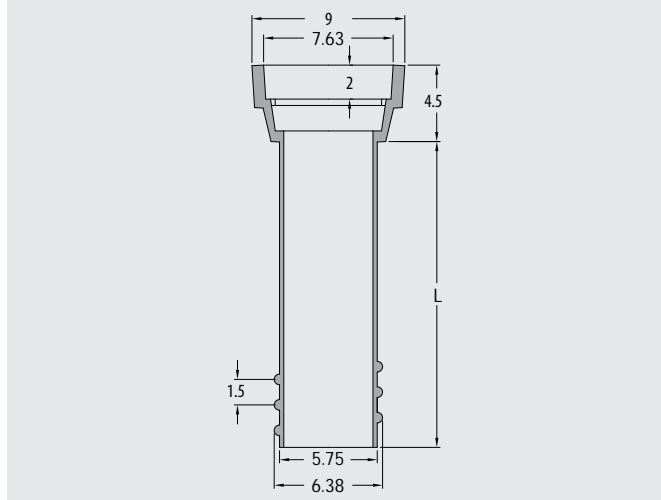
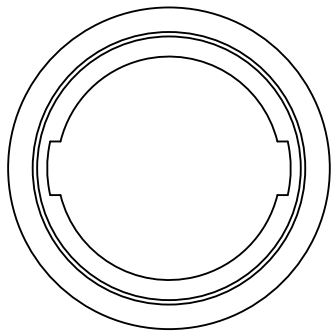
ITEM CODE	SIZE E	L	A	B	C	D
VBR1	1	0.88	7.44	7.09	7.19	7.5
VBR1.5	1 1/2	1.38	7.44	7.09	7.19	7.5
VBR2	2	1.25	7.44	7.09	7.19	7.5
VBR2.5	2 1/2	2.25	7.63	7.38	7.19	7.38
VBR3	3	2.25	7.63	7.38	7.19	7.38
VBR4	4	2.25	7.63	7.38	7.19	7.38
VBR5	5	2.25	7.63	7.38	7.19	7.38
VBR6	6	2.25	7.63	7.38	7.19	7.38
VBR8	8	2.25	7.63	7.38	7.19	7.38

Notes:

- Material - Cast Iron
Per ASTM A48 Class 30B
- Dimensions in Inches

ADJUSTABLE VALVE BOX RISER

VB-0020



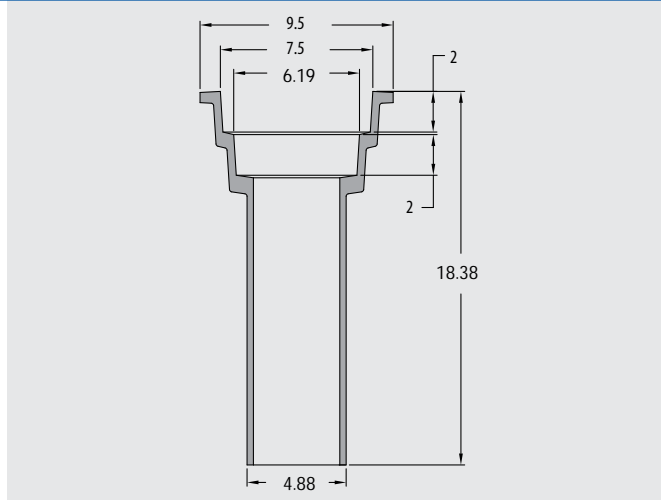
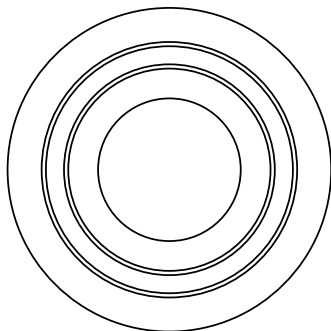
ITEM CODE	DETAILS "L"
VBAR05	8
VBAR07	10
VBAR09	12
VBAR12	15
VBAR15	18
VBAR24	27

Notes:

- Material - Cast Iron
Per ASTM A48 Class 30B
- Dimensions in Inches

15" SLIP TYPE ADJUSTABLE VALVE BOX RISER CLASS 35B

VB-0021



ITEM CODE	DETAILS
VBAR15A35	COMPLETE

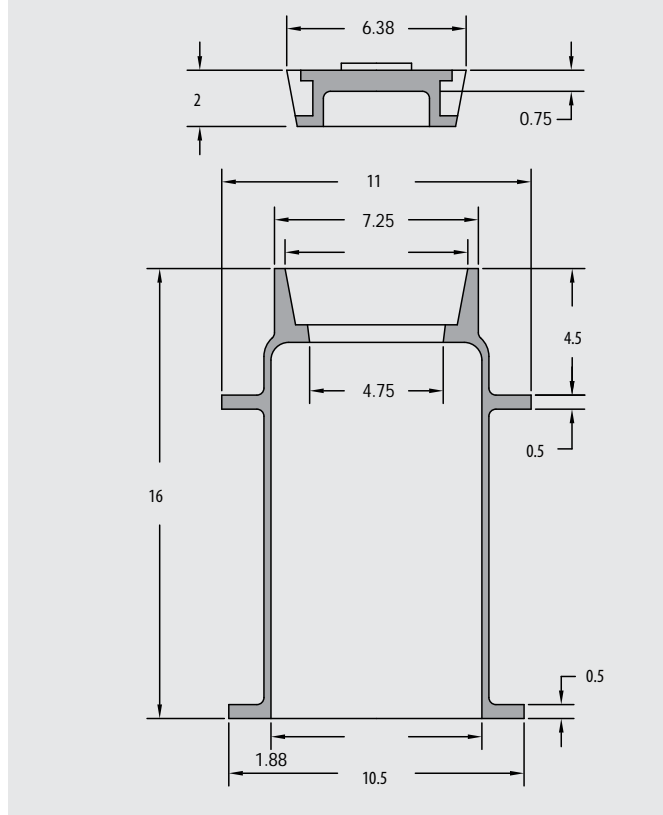
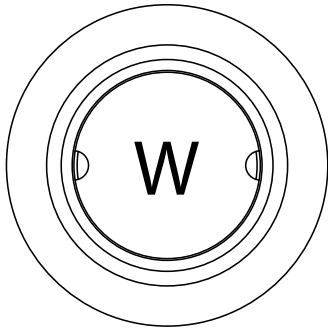
Notes:

- Material - Cast Iron
Per ASTM A48 Class 35B
- Dimensions in Inches



CITY OF HOUSTON "A" TYPE STANDARD VALVE BOX CLASS 35B

VB-0022



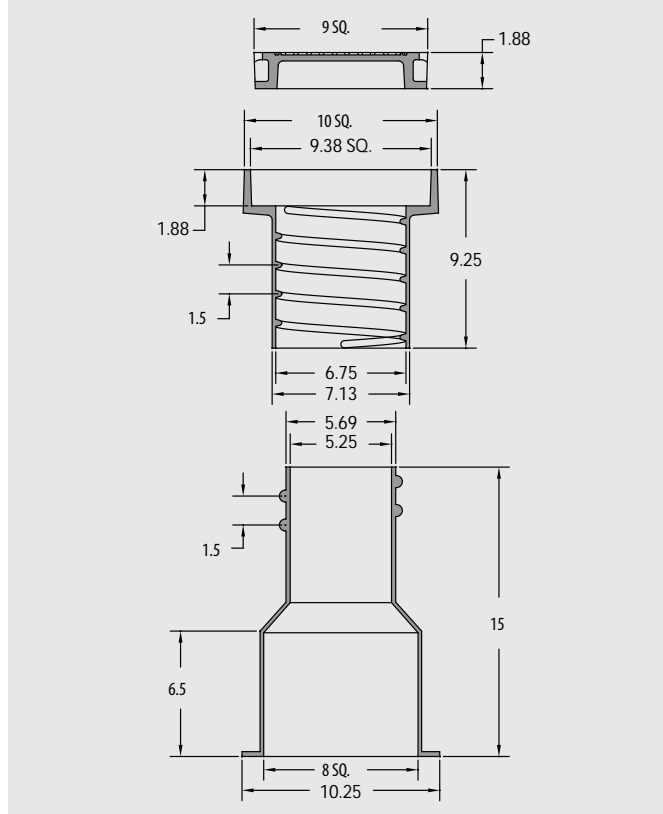
ITEM CODE	DETAILS
VBA	COMPLETE

Notes:

- Material - Cast Iron
- Per ASTM A48 Class 35B
- Dimensions in Inches

FLORIDA RECLAIMED VALVE BOX

VB-0023



ITEM CODE	DETAILS
VBFLRW	COMPLETE

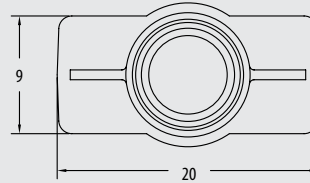
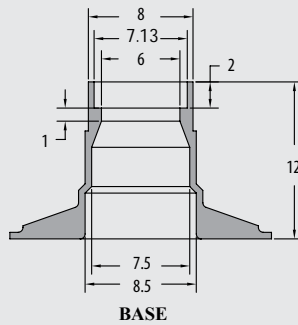
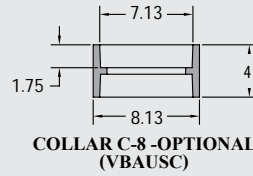
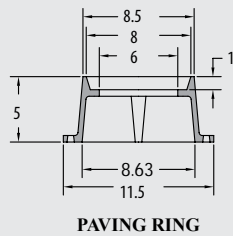
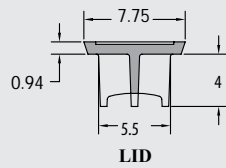
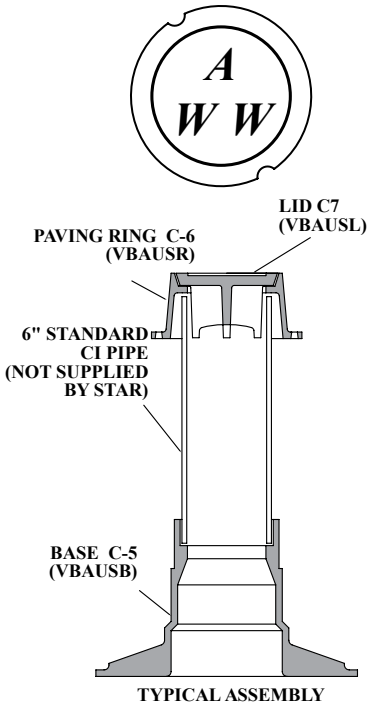
Notes:

- Material - Cast Iron
- Per ASTM A48 Class 30B
- Dimensions in Inches



AUSTIN VALVE BOX

VB-0024

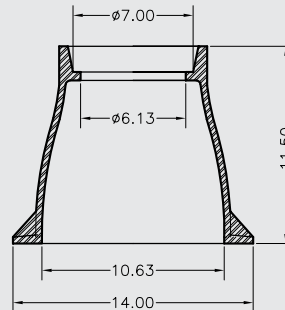
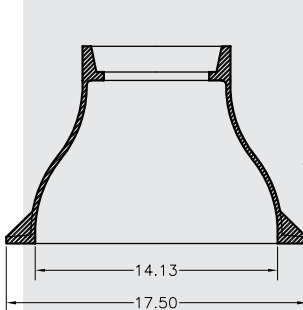
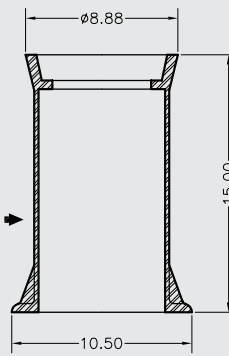
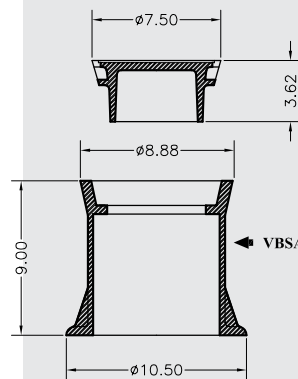
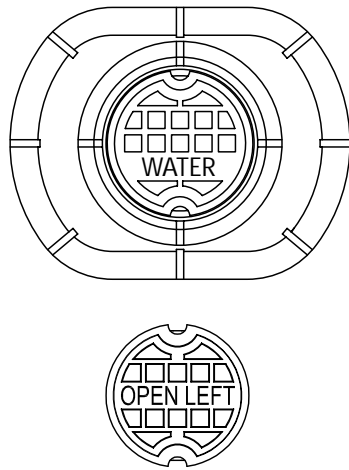


- Notes:**
 - Material - Cast Iron
 Per ASTM A48 Class 30B
 - Dimensions in Inches

ITEM CODE	DETAILS
VBAUS	COMPLETE
VBAUSL	LID
VBAUSB	BASE
VBAUSR	RING
VBAUSC	COLLAR

SAN ANTONIO VALVE BOX

VB-0025

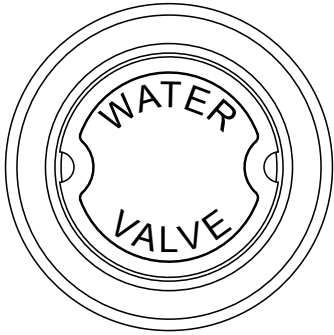


- Notes:**
 - Material - Cast Iron
 Per ASTM A48 Class 30B
 - Dimensions in Inches

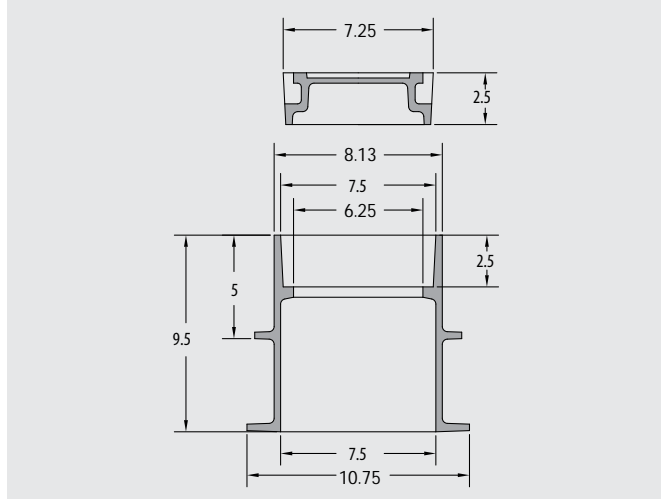
ITEM CODE	DETAILS
VBSA-3	COMPLETE
VBSAE10	EXTENSION
VBSAEX	LID - "WATER"
VBSAOL	LID - "OPEN LEFT"
VBSAB	BOTTOM

DALLAS VALVE BOX (SHORTY)

VB-0026



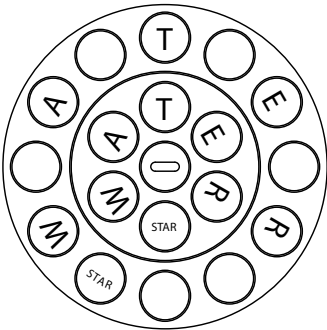
- Notes:**
- Material - Cast Iron
Per ASTM A48 Class 30B
 - Dimensions in Inches



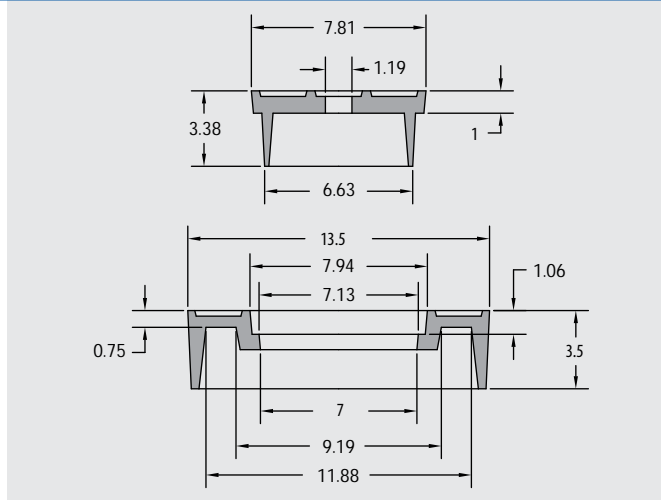
ITEM CODE	DETAILS
VBDALLAS	COMPLETE

ALBUQUERQUE VALVE BOX

VB-0027



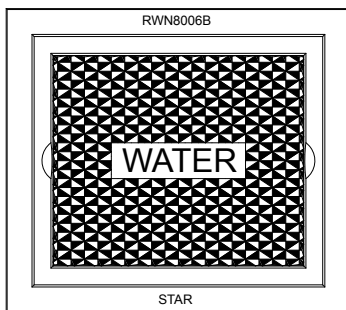
- Notes:**
- Material - Cast Iron
Per ASTM A48 Class 30B
 - Dimensions in Inches



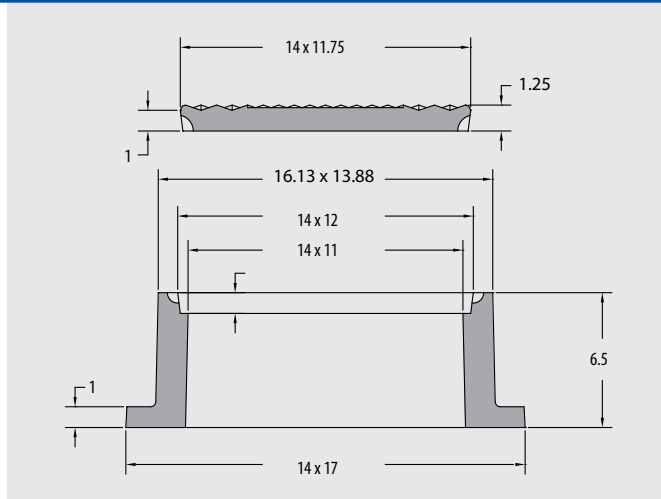
ITEM CODE	DETAILS
VBALB	COMPLETE

ROADWAY TYPE NASHVILLE STANDARD

VB-0028



- Notes:**
- Material - Cast Iron
Per ASTM A48 Class 30B
 - Dimensions in Inches

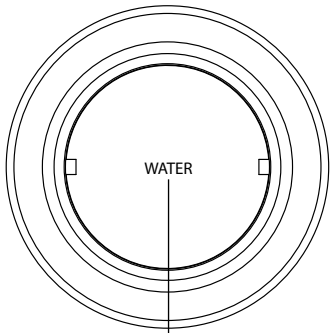


ITEM CODE	DETAILS
RWN8006	COMPLETE



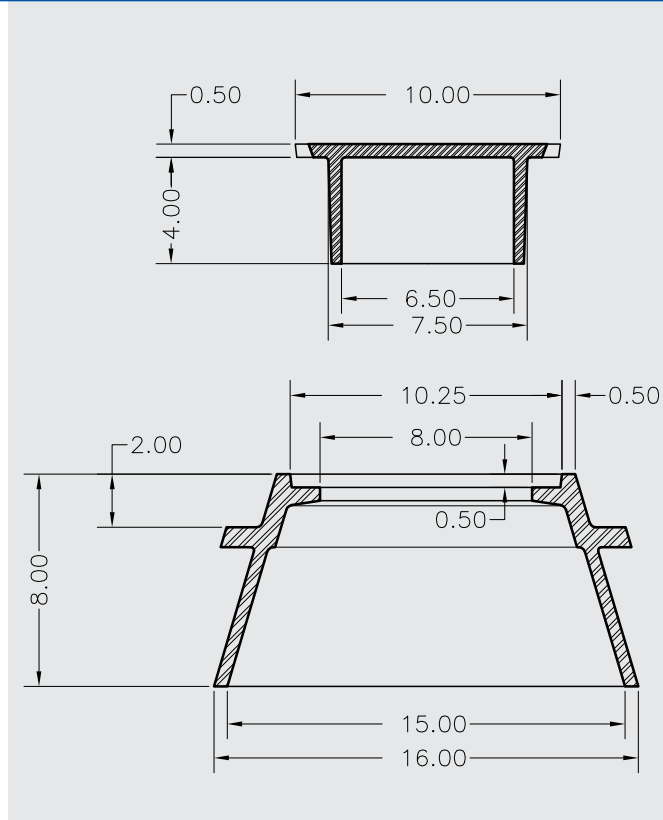
DETAIL 198 VALVE BOX

VB-0029



LID LETTER OPTIONS
WATER
SEWER
SURVEY
.....
*Unless specified, all VB shipped with "WATER" lids.

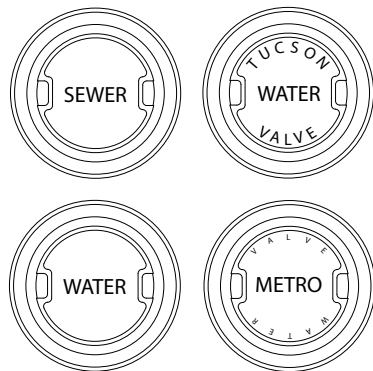
- Notes:**
- Material - Cast Iron
 - Per ASTM A48 Class 30B
 - Dimensions in Inches



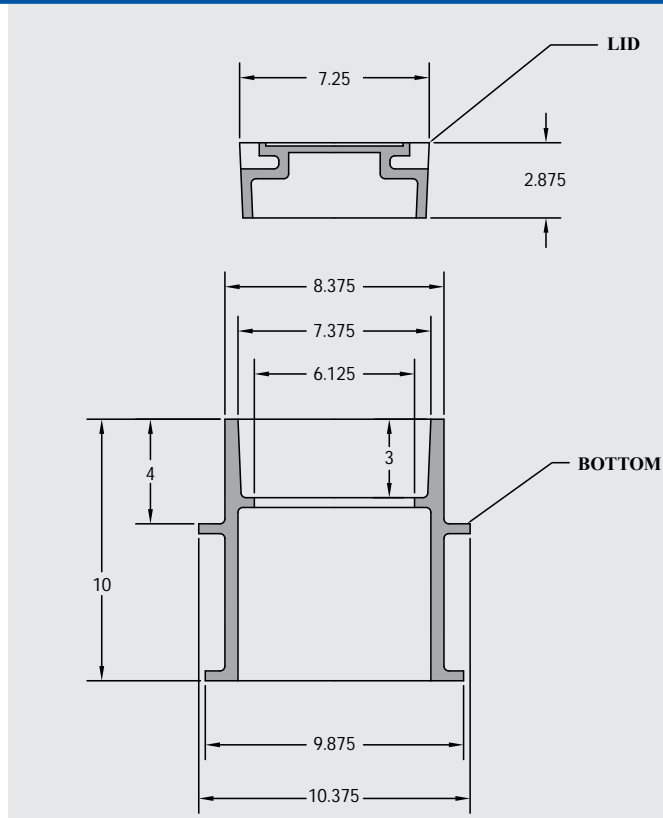
ITEM CODE	DETAILS
VBDTL198	COMPLETE
VBDTL198L	WATER LID
VBDTL198LSE	SEWER LID
VBDTL198LSU	SURVEY LID
VBDTL198B	BASE

TUCSON VALVE BOX

VB-0030



- Notes:**
- Material - Cast Iron
 - Per ASTM A48 Class 30B
 - Dimensions in Inches

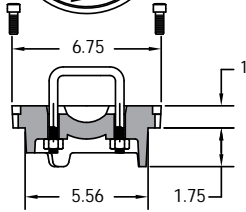
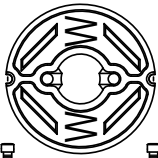


ITEM CODE	DETAILS
VBTUSANPS	SEWER
VBTUSANPW	WATER
VBTUSAN	TUCSON
VBTUSANM	METRO

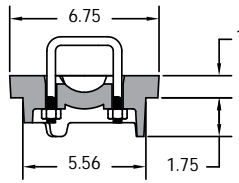
045 VALVE BOX

VB-0031

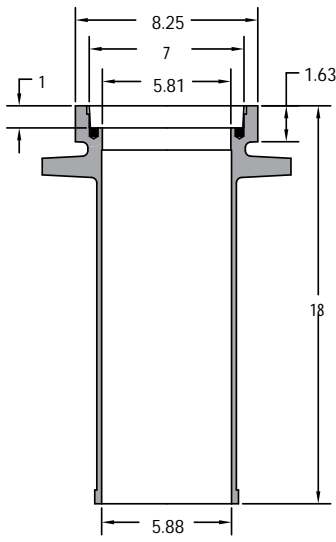
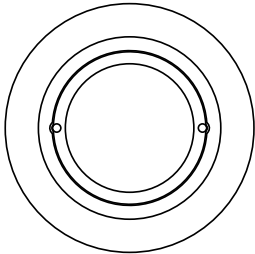
ITEM CODE	DETAILS
VBST045	NON-LOCKING COMPLETE
VBST045L	NON-LOCKING LID
VBST045T	NON-LOCKING TOP
VBST045WT	LOCKING COMPLETE
VBST045LWT	LOCKING LID
VBST045TWT	LOCKING TOP
VBST940B	BOTTOM



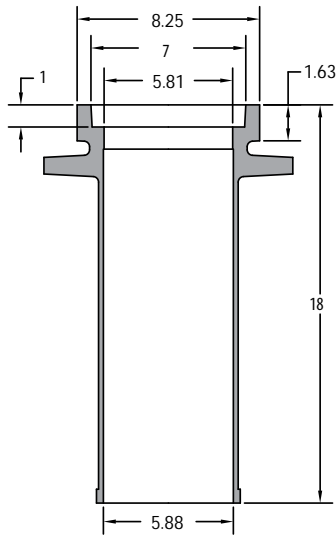
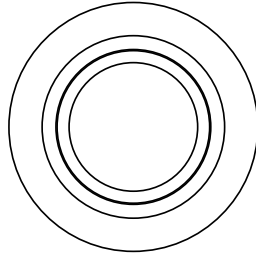
LOCKING LID



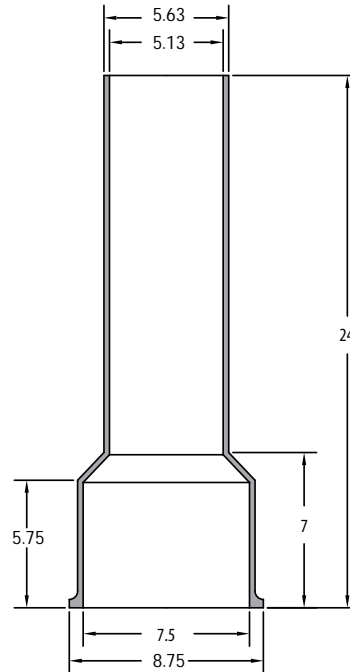
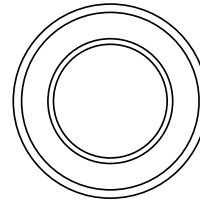
NON-LOCKING LID



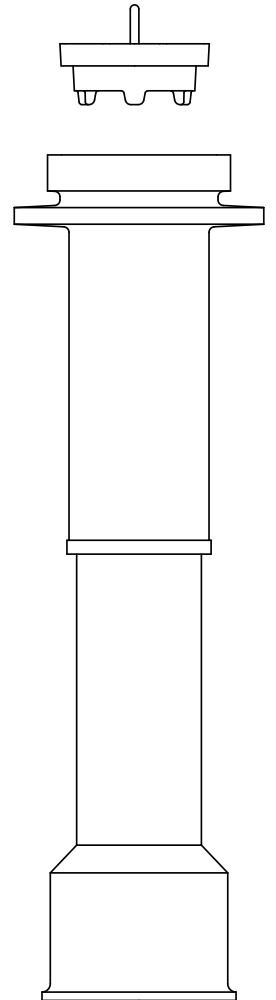
LOCKING TOP



NON-LOCKING TOP



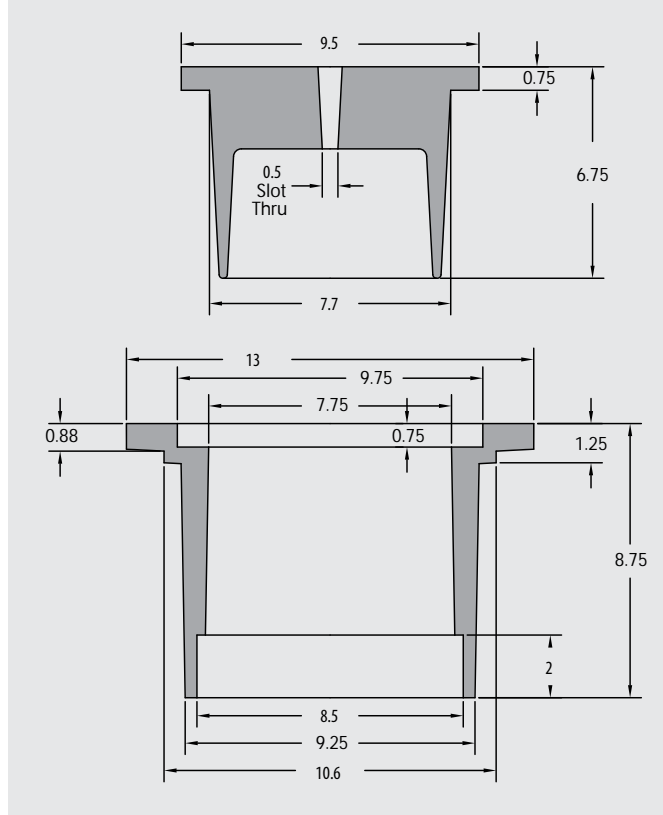
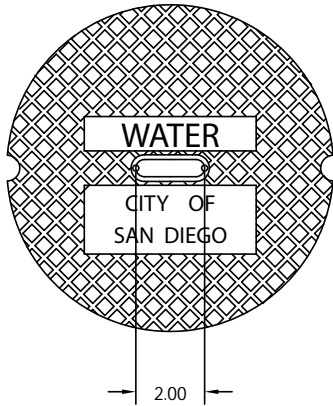
BOTTOM



- Notes:**
- Material - Cast Iron
Per ASTM A48 Class 30B
 - Dimensions in Inches

SAN DIEGO VALVE BOX

VB-0032

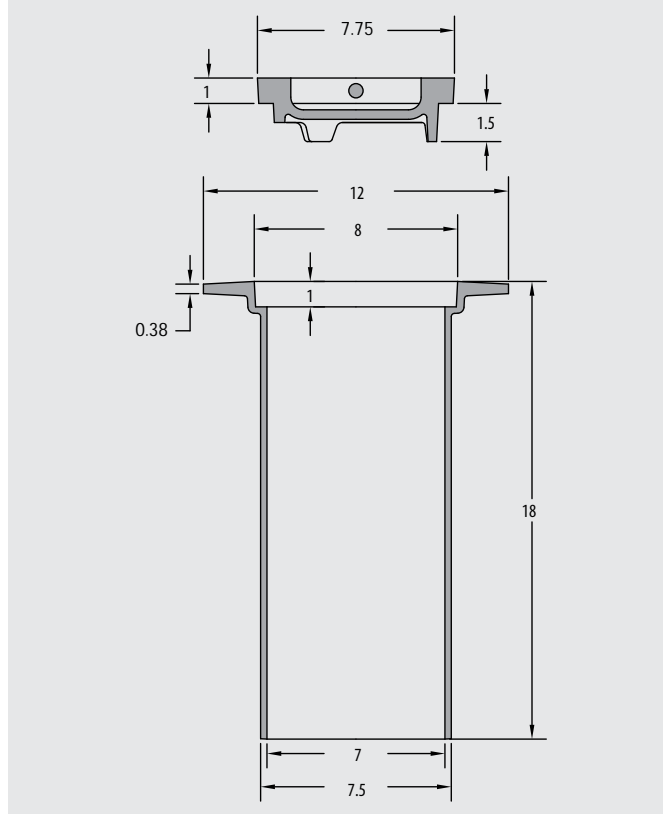
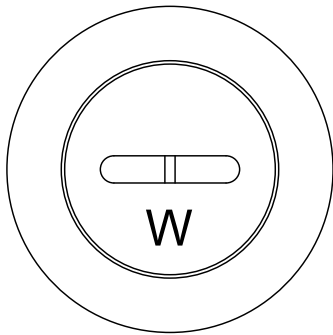


ITEM CODE	DETAILS
VBSDIEGO	COMPLETE

- Notes:**
 - Material - Cast Iron
 Per ASTM A48 Class 30B
 - Dimensions in Inches

910 VALVE BOX

VB-0033



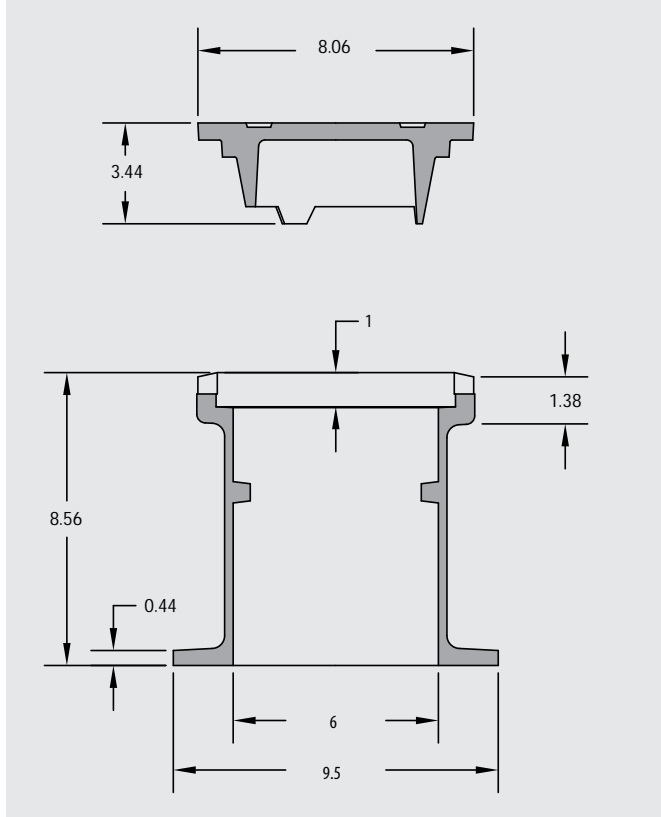
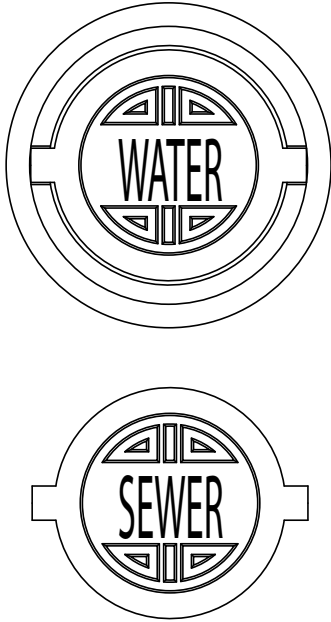
ITEM CODE	DETAILS
VBST910	COMPLETE
VBST910L	LID
VBST910-18T	TOP

- Notes:**
 - Material - Cast Iron
 Per ASTM A48 Class 30B
 - Dimensions in Inches



940 8" VALVE BOX

VB-0034

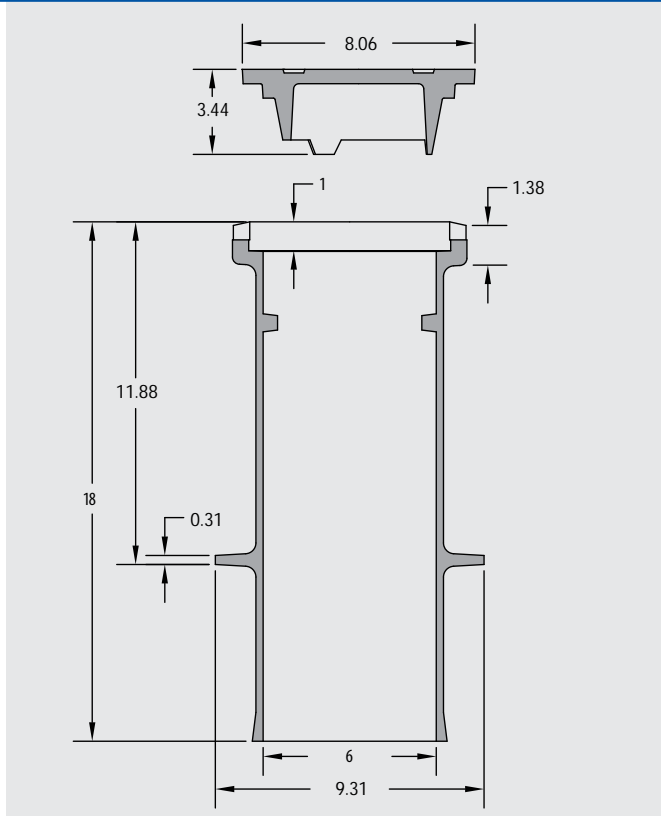
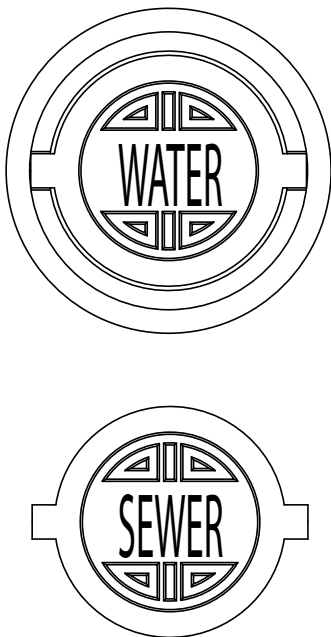


ITEM CODE	DETAILS
VBST940-8W	COMPLETE WATER
VBST940-8S	COMPLETE SEWER

Notes:
 - Material - Cast Iron
 Per ASTM A48 Class 30B
 - Dimensions in Inches

940 18" VALVE BOX

VB-0035



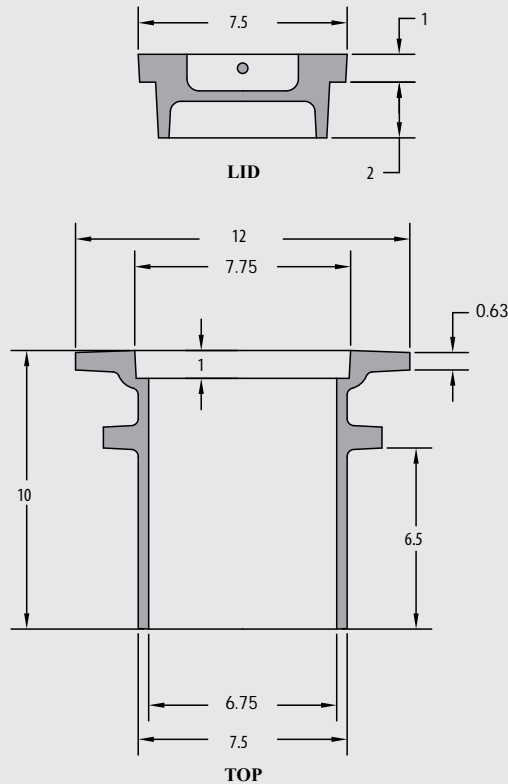
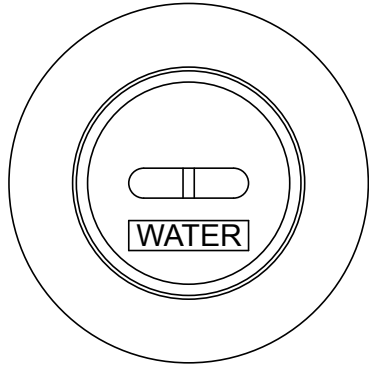
ITEM CODE	DETAILS
VBST940-18W	COMPLETE WATER
VBST940-18S	COMPLETE SEWER
VBST940-18T	TOP ONLY
VBST940L	WATER LID
VBST940LS	SEWER LID

Notes:
 - Material - Cast Iron
 Per ASTM A48 Class 30B
 - Dimensions in Inches



950 VALVE BOX

VB-0036

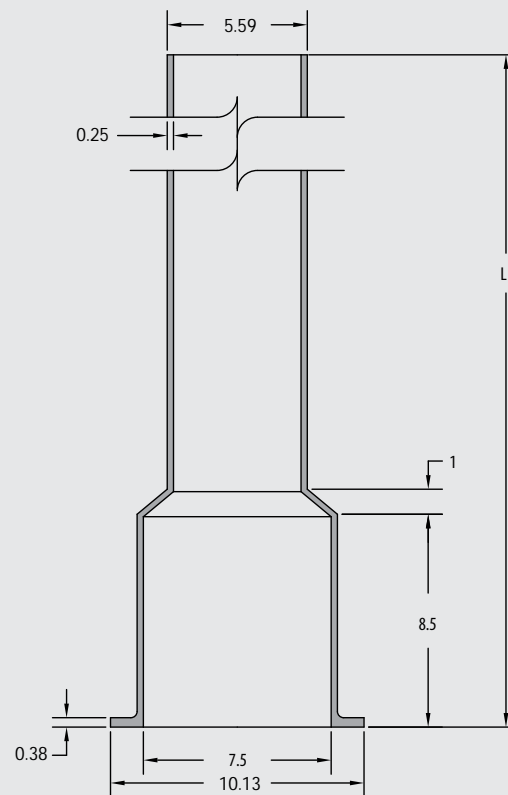
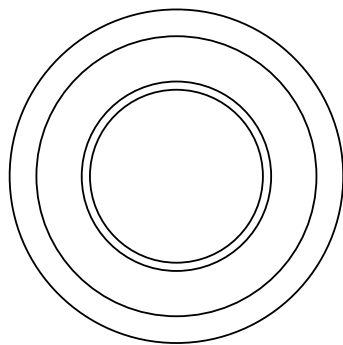


ITEM CODE	DETAILS
VBST950	COMPLETE

- Notes:**
- Material - Cast Iron
 - Per ASTM A48 Class 30B
 - Dimensions in Inches

DEEP WELL VALVE BOX BOTTOM

VB-0037



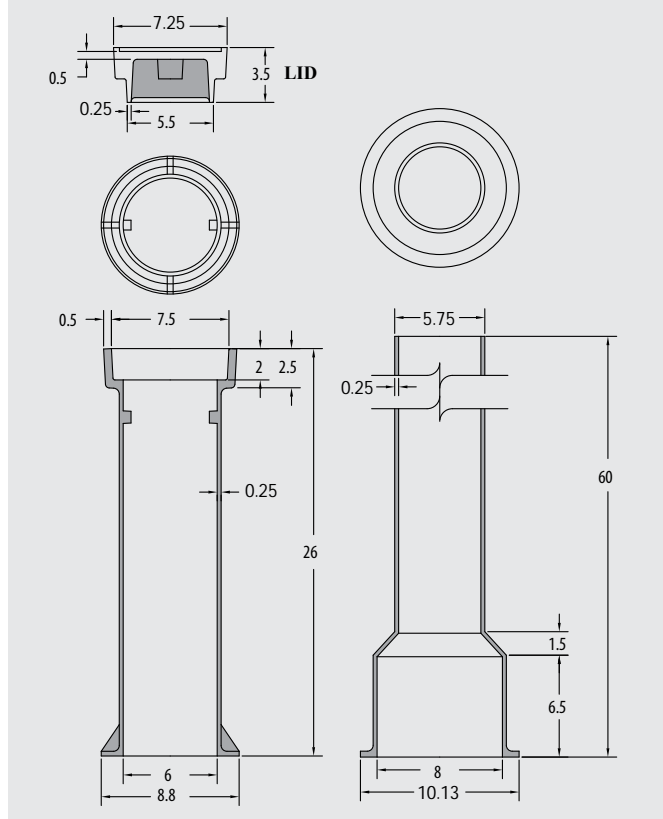
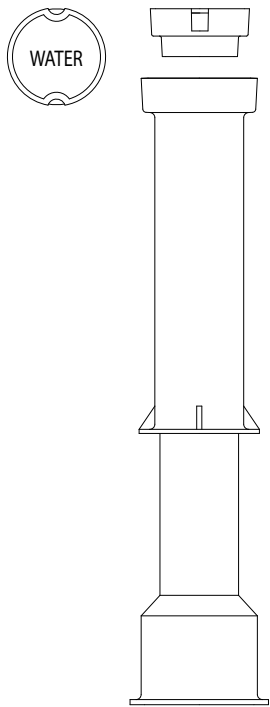
ITEM CODE	DETAILS (L)
VBB24DW	24
VBB30DW	30
VBB36DW	36
VBB42DW	42

- Notes:**
- Material - Cast Iron
 - Per ASTM A48 Class 30B
 - Dimensions in Inches



CLEVELAND VALVE BOX

VB-0038

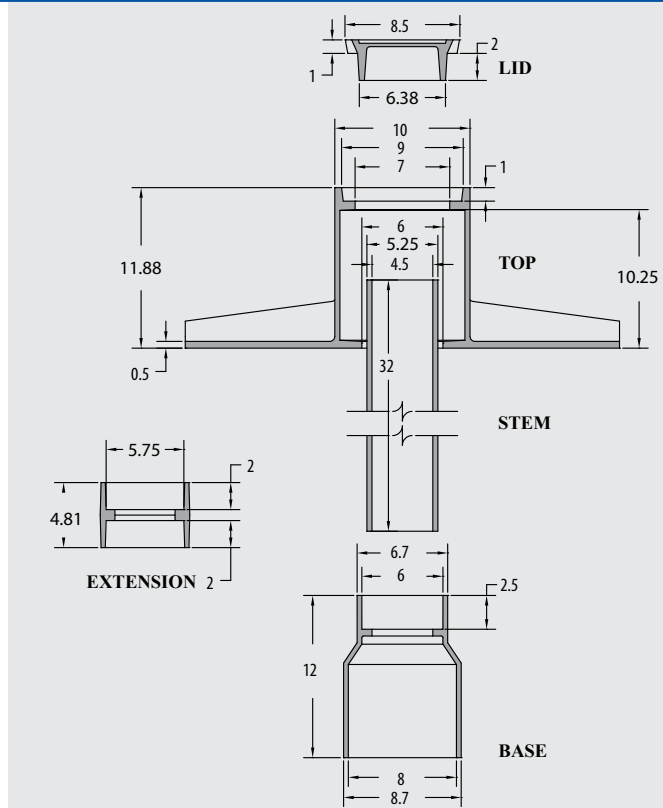
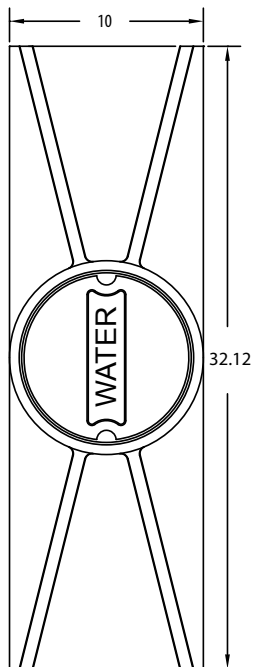


ITEM CODE	DETAILS
VBCL	COMPLETE
VBCLL	LID
VBCLT	TOP
VBCLB	BOTTOM

- Notes:**
- Material - Cast Iron
Per ASTM A48 Class 30B
 - Dimensions in Inches

COLUMBUS HEAVY DUTY VALVE BOX

VB-0039

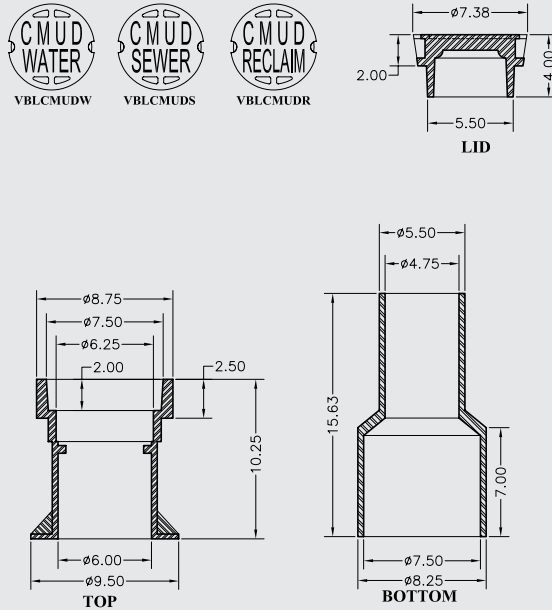
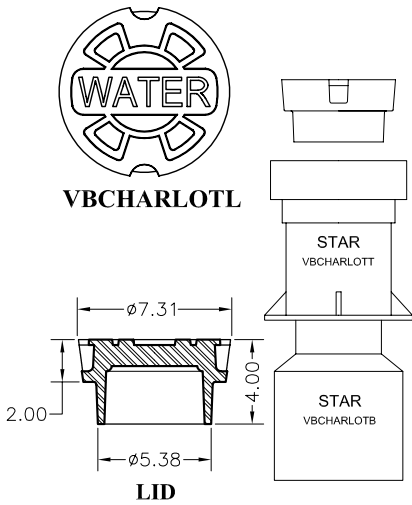


ITEM CODE	DETAILS
VBCOLUMBUS	COMPLETE
VBCOLLID	LID
VBCOLTOP	TOP
VBCOLSTEM	STEM
VBCOLEXT	EXTENSION
VBCOLBASE	BASE

- Notes:**
- Material - Cast Iron
Per ASTM A48 Class 30B
 - Dimensions in Inches

CHARLOTTE VB

VB-0040



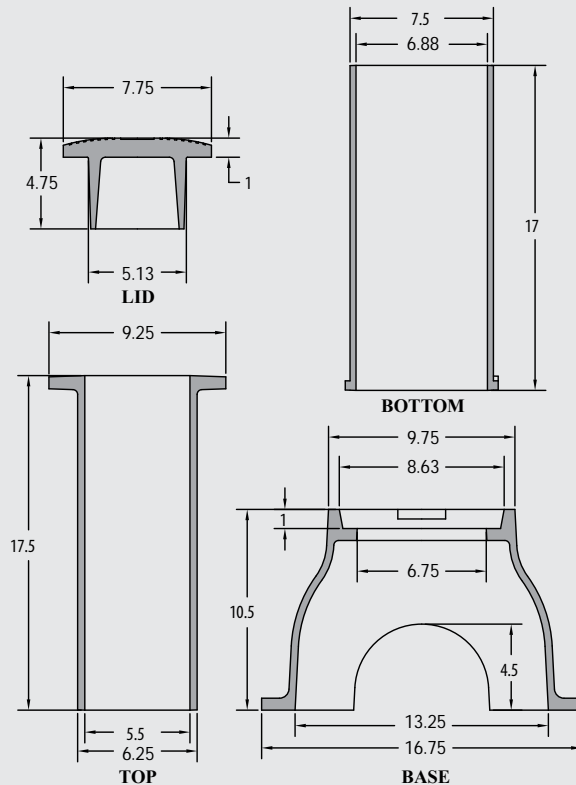
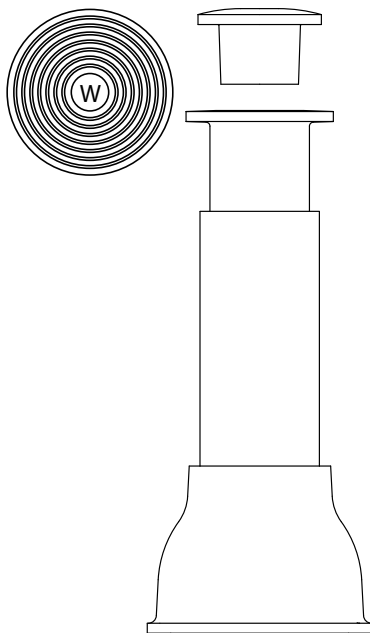
ITEM CODE	DETAILS
VBCHARLOT	COMPLETE
VBCHARLOTL	LID WATER
VBLCMUDW	WATER
VBLCMUDS	SEWER
VBLCMUDR	RECLAIM
VBCHARLOTT	TOP
VBCHARLOTB	BOTTOM

Notes:

- Material - Cast Iron
- Per ASTM A48 Class 35B
- Dimensions in Inches

3 PIECE 708A VALVE BOX

VB-0041



ITEM CODE	DETAILS
VB708A	COMPLETE "W"
VBL708W	LID "W"
VBT708A	TOP
VBB708A	BOTTOM
VBBASE708	BASE

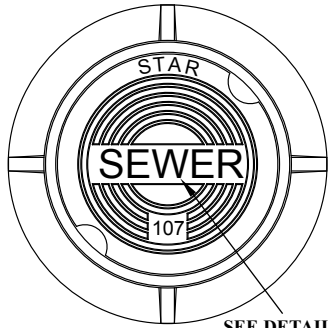
Notes:

- Material - Cast Iron
- Per ASTM A48 Class 30B
- Dimensions in Inches



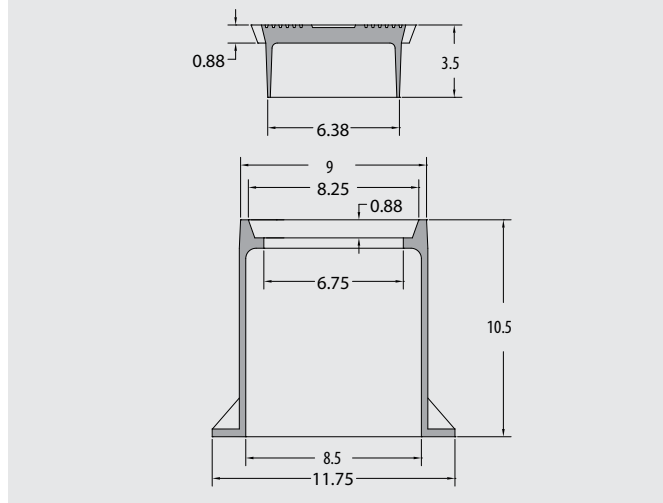
107 VALVE BOX

VB-0042



SEE DETAILS FOR OPTIONAL LETTERING

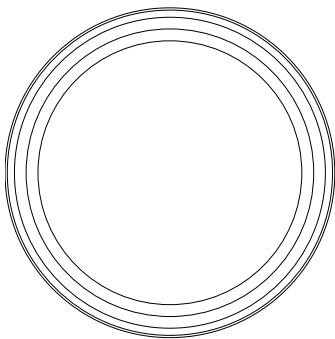
- Notes:**
- Material - Cast Iron Per ASTM A48 Class 30B
 - Dimensions in Inches



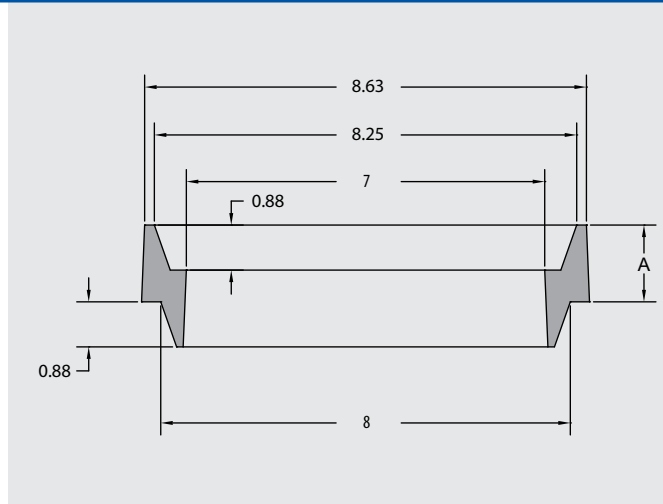
ITEM CODE	DETAILS
VB107AS	SEWER
VB107AW	WATER

RISER FOR VB107

VB-0043



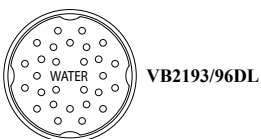
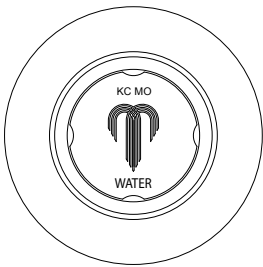
- Notes:**
- Material - Cast Iron Per ASTM A48 Class 30B
 - Dimensions in Inches



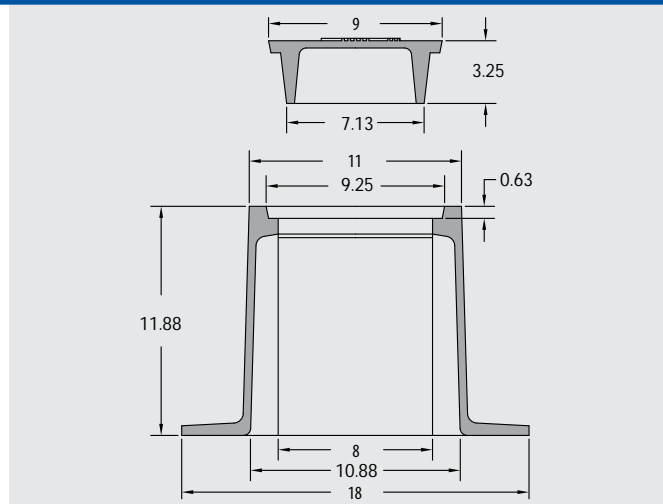
ITEM CODE	DETAILS (A)
VB107R-1	1
VB107R-1.5	1.5
VB107R-2	2

2193 VALVE BOX

VB-0044



- Notes:**
- Material - Cast Iron Per ASTM A48 Class 30B
 - Dimensions in Inches

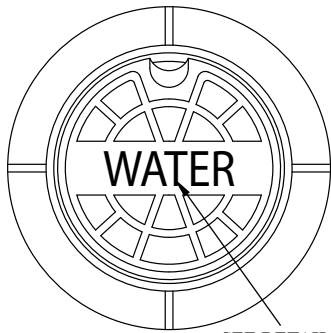


ITEM CODE	DETAILS
VB2193NS	COMPLETE W/ FOUNTAIN LID
VB219396L	FOUNTAIN LID
VB2193/96DL	DIMPLE LID
VB2193NSB	BOTTOM



2194 VALVE BOX

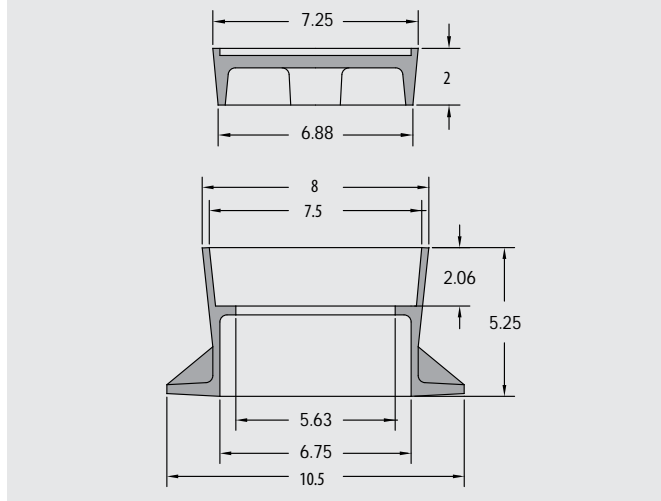
VB-0045



SEE DETAILS FOR OPTIONAL LETTERING

Notes:

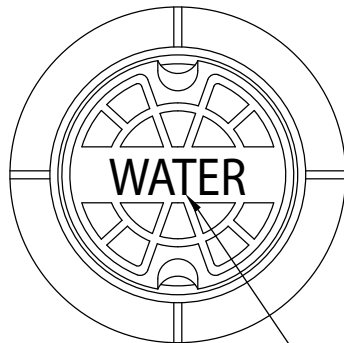
- Material - Cast Iron
- Per ASTM A48 Class 30B
- Dimensions in Inches



ITEM CODE	DETAILS
VB2194	WATER
VB2194S	SEWER
VB2194L	WATER LID
VB2194LS	SEWER LID
VB2194B	BOTTOM

2195 VALVE BOX

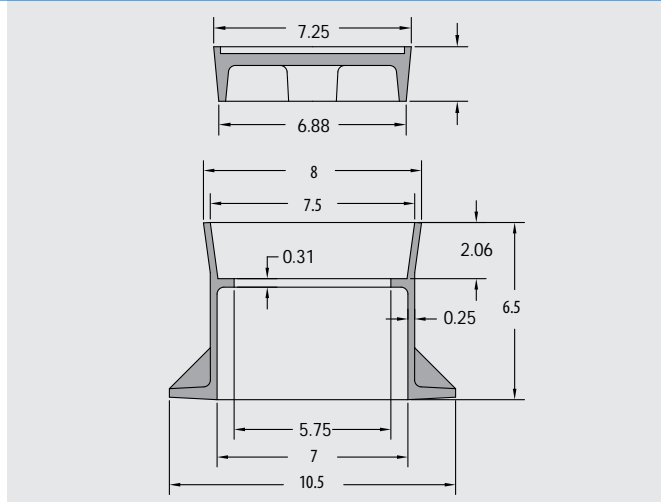
VB-0046



SEE DETAILS FOR OPTIONAL LETTERING

Notes:

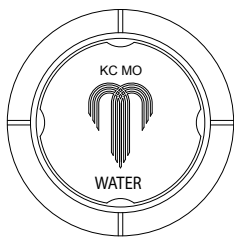
- Material - Cast Iron
- Per ASTM A48 Class 30B
- Dimensions in Inches



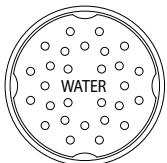
ITEM CODE	DETAILS
VB2195	COMPLETE
VB2195L	WATER LID
VB2195LLS	LS WATER LID
VB2195B	BOTTOM

2196 VALVE BOX

VB-0047

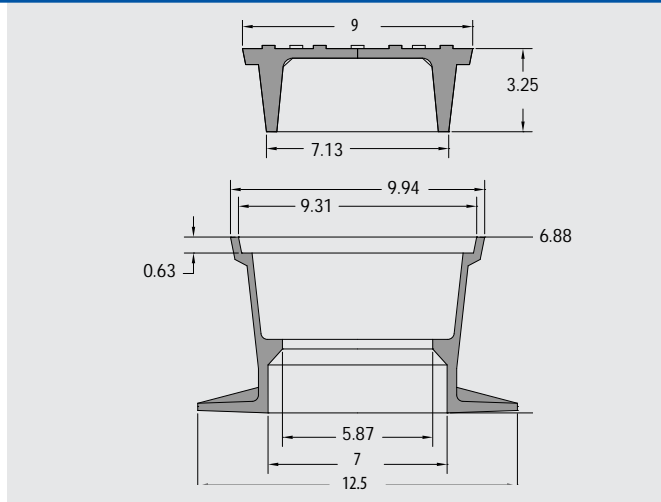


VB2193/96DL



Notes:

- Material - Cast Iron
- Per ASTM A48 Class 30B
- Dimensions in Inches

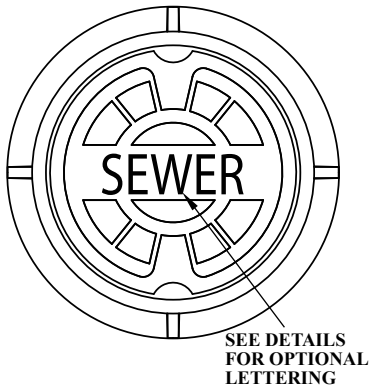


ITEM CODE	DETAILS
VB2196	COMPLETE
VB2196L	LID
VB2193/96L	DIMPLE LID
VB2196B	BOTTOM



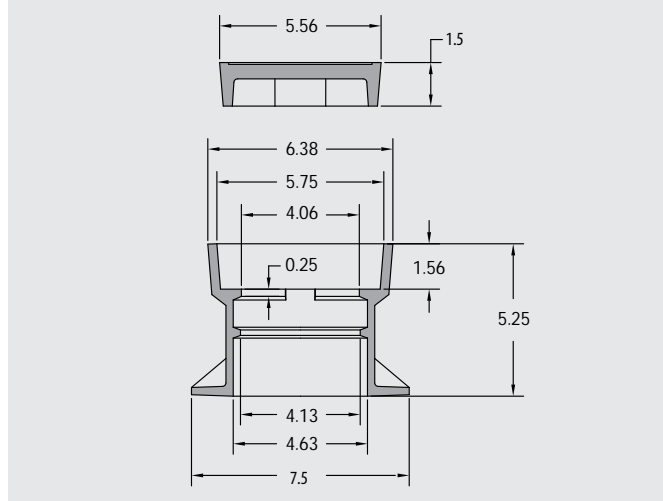
2197 VALVE BOX

VB-0048



SEE DETAILS FOR OPTIONAL LETTERING

- Notes:**
- Material - Cast Iron
Per ASTM A48 Class 30B
 - Dimensions in Inches



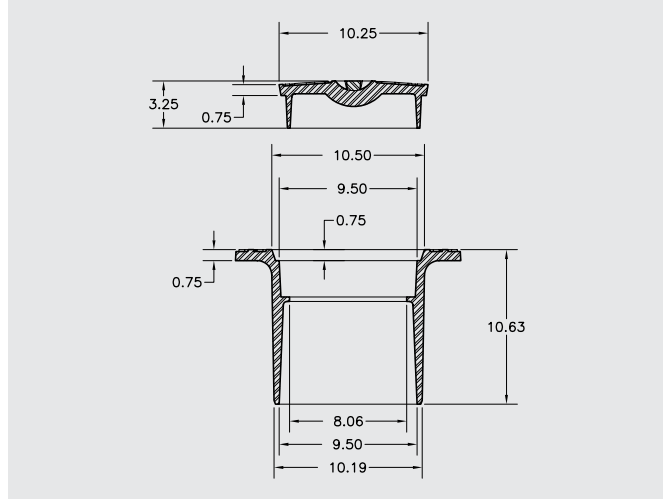
ITEM CODE	DETAILS
VB2197S	SEWER
VB2197	WATER
VB2197LS	SEWER LID
VB2197LW	WATER LID
VB2197B	BOTTOM

VBIWCW

VB-0049



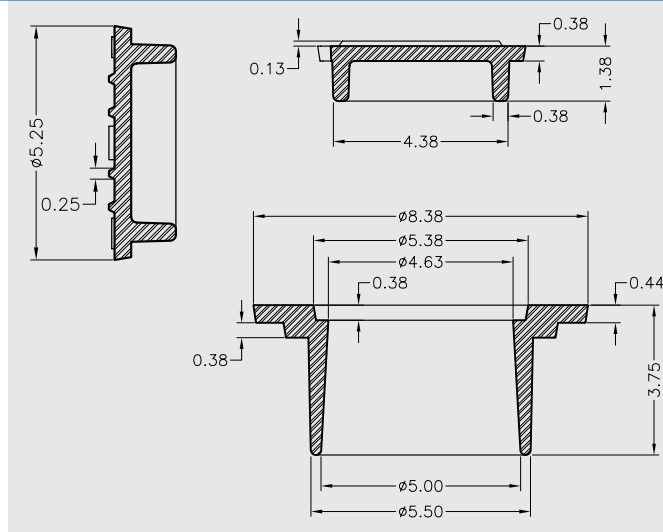
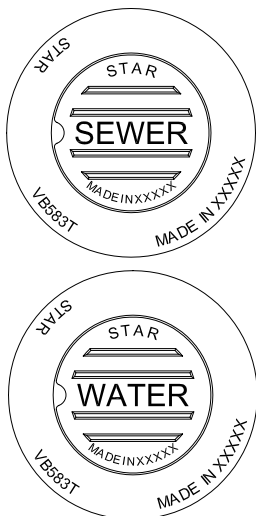
- Notes:**
- Material - Cast Iron
Per ASTM A48 Class 35B
 - Dimensions in Inches



ITEM CODE	DETAILS
VBIWCW	COMPLETE

#583 "SEWER/WATER" VB

VB-0050

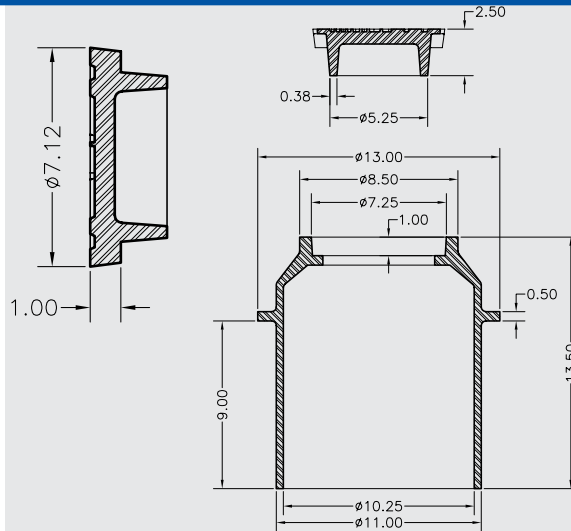
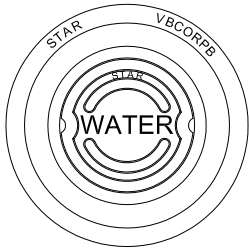


ITEM CODE	DETAILS
VB583W	LID - "WATER"
VB583S	LID - "SEWER"

- Notes:**
- Material - Cast Iron
Per ASTM A48 Class 30B
 - Casting to be gloss black asphaltic coated
 - Dimensions in Inches

CORPUS CHRISTI VB

VB-0051



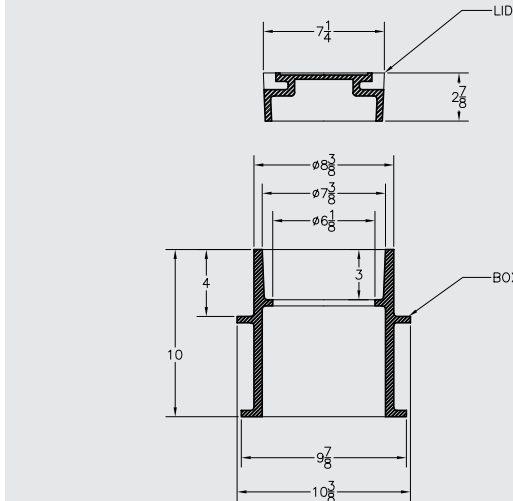
ITEM CODE	DETAILS
VBCORPW	COMPLETE - "WATER"

Notes:

- Material - Cast Iron
- Per ASTM A48 Class 30B
- Casting to be gloss black asphaltic coated
- Dimensions in Inches

ORO VALLEY "WATER" VB

VB-0052



ITEM CODE	DETAILS
VBORV	COMPLETE

Notes:

- Material - Cast Iron
- Per ASTM A48 Class 30B
- Casting to be gloss black asphaltic coated
- Dimensions in Inches