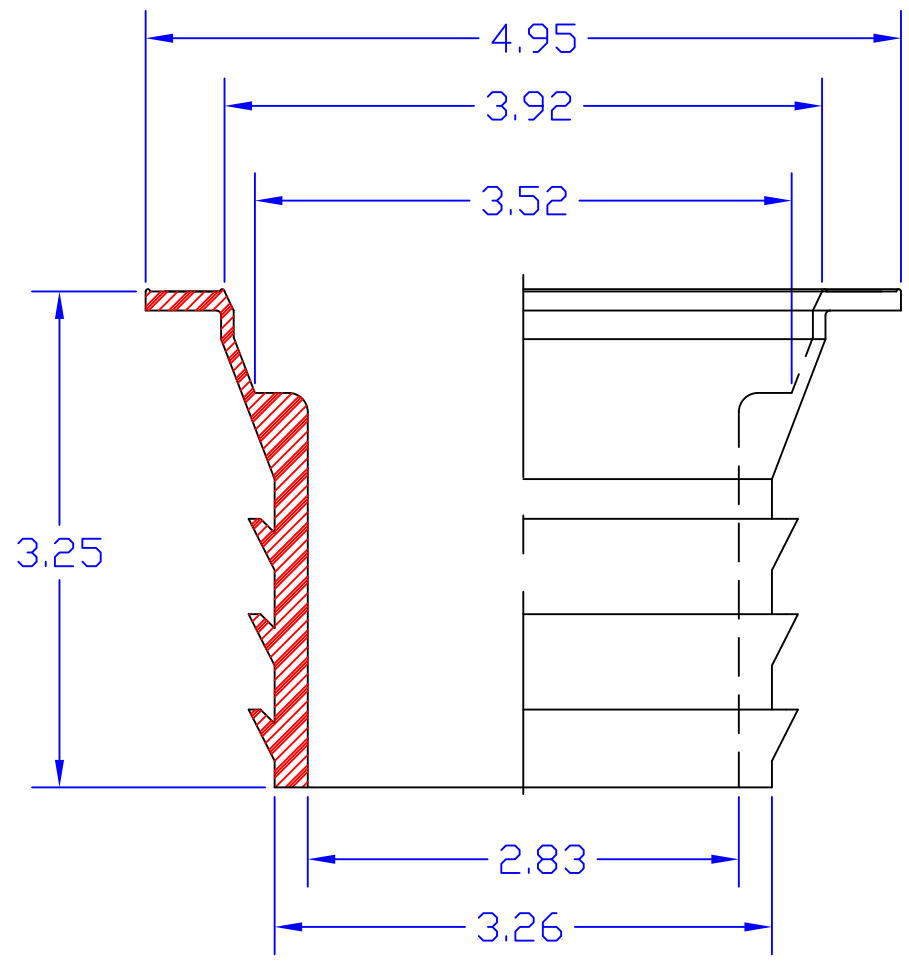


REVISIONS				
ZONE	REV	DESCRIPTION	DATE	APPROVED



\*Notes\*

1. Conforms to ASTM A 1045
2. Permanent Pressure Sensitive Adhesive
3. Connects Toilet Horn to 3 1/2" ID Plastic Flange



UNLESS OTHERWISE SPECIFIED: DIMENSIONS ARE IN INCHES TOLERANCES		FTS-4CF		
DECIMALS .XX ± .062	ANGULAR ± 0.5°	Wax Free Toilet Seal		
DO NOT SCALE DRAWING		SIZE	FSCM NO.	DWG NO.
DRAWN AJD	DATE 26June17	A		
CHECKED				REV