

D-040 250 psi

D-040-C 250 psi



Combination Air Valve

Description

The D-040 series Combination Air Valve has the features of both an air release valve and an air & vacuum valve.

The air release component is designed to automatically release small pockets of air to the atmosphere as they accumulate along a pipeline or piping system when it is full and operating under pressure.

The air & vacuum component is designed to automatically discharge or admit large volumes of air during the filling or draining of a pipeline or piping system. This valve will open to relieve negative pressures whenever water column separation occurs.

Applications

- Pump stations: after the pump and after the check valve.
- Downstream (after) and upstream (before) of shut-off valves.
- After deep-well pumps.
- On long constant-sloped pipeline segments.
- At peaks along the pipeline and at peaks relative to hydraulic gradient.
- At end lines.
- Before water meters.
- On strainers and filters.

D-040-C - additional applications

- Water pipelines vulnerable to vandalism and/or water theft.
- Water systems found in remote areas.

Operation

The air & vacuum component, with the large orifice, discharges air at high flow rates during the filling of the system and admits air into the system at high flow rates during its drainage and at water column separation.

High velocity air will not blow the float shut. Water will lift the float, which seals the valve.

At any time during system operation, should internal pressure of the system fall below atmospheric pressure, air will enter the system.

The smooth discharge of air reduces pressure surges and other destructive phenomena.

The intake of air in response to negative pressure protects the system from destructive vacuum conditions and prevents damage caused by water column separation. Air entry is essential to efficiently drain the system. The air release component releases entrapped air in pressurized systems.

Without air valves, pockets of accumulated air may cause the following hydraulic disturbances:

- Restriction of effective flow due to a reduction of the flow area. In extreme cases this will cause complete flow stoppage.
- Obstruction of efficient hydraulic transmission due to air flow disturbances.
- Acceleration of cavitation damages.
- Increase in pressure transients and surges.
- Internal corrosion of pipes, fittings and accessories.
- Dangerous high-energy bursts of compressed air.
- Inaccuracies in flow metering.

As the system fills and is pressurized, the combination air valve functions in the following stages:

1. Air in the pipeline is discharged by the air valve.
2. Liquid enters the air valve, lifting the float which pushes the sealing mechanism to its sealing position.
3. Entrapped air, which accumulates at peaks and along the system, rises to the top of the air valve, which in turn displaces the liquid in the air valve body.
4. The float drops down, unsealing the rolling seal. The air release orifice opens and the accumulated air is released.
5. Liquid enters the air release valve, the float rises pushing the rolling seal to its sealing position.

When internal pressure falls below atmospheric pressure (negative pressure):

1. The float will drop down, immediately opening the air & vacuum and air release orifices.
2. Air will enter into the system

Main Features

- Working pressure range: 3 - 250 psi.
- Testing pressure: 360 psi.
- Maximum working temperature: 140° F.
- Maximum intermittent temperature: 194° F.
- Reliable operation reduces water hammer incidents.
- Dynamic design allows for high capacity air discharge while preventing premature closure.
- Lightweight, small dimensions, simple and reliable structure.
- The discharge outlet enables the connection of a vent/drain pipe.
- The large size of the automatic air release orifice relative to the air valve body:

- Discharges air at high flow rates.
- Lessens the danger of its obstruction by debris.
- Enables the usage of the rolling seal mechanism, making it less sensitive to pressure differential than a direct float seal.
 - The body is made of high-strength composite materials and all operating parts are made of specially selected, corrosion-resistant materials.
 - Due to its light weight, the valve may be installed on plastic piping systems, as well as other lightweight piping systems.
 - D-040-C the body is protected in a metal shell for anti-vandalism/ theft applications.

Valve Selection

- Size range: 1/2", 3/4", 1", 2" threaded male connections, NPT
- Special Order: Optional BSPT connection
- Addition of ball valve tap; NPT male connection.

Options

- The D-040 air valve is available in the following options:
 - D-040 1/2", 3/4", 1" & 2" - reinforced nylon body and base.
 - D-040 C 3/4", 1" - ductile iron shell and stainless steel base
2" - ductile iron shell and base .
 - D-040P SSB 3/4", 1" & 2" - reinforced nylon body and stainless steel base.
 - D-040 SS 3/4", 1" & 2" - stainless steel body and stainless steel base.
 - D-040 LP 3/4", 1" & 2" - designed for very low pressure systems with a working pressure of 0.725 - 87 psi.
 - D-040 L 1/2", 3/4", 1", 2" - designed for systems with small suspended solids requiring a low sealing pressure, reinforced nylon/ PVDF body and base. The working pressure 0.725 - 150 psi

Note

For best suitability, it is recommended to send the fluid chemical properties along with the valve request.
Upon ordering, please specify: model, size, working pressure, thread and flange standard and type of liquid.

ACCESSORIES

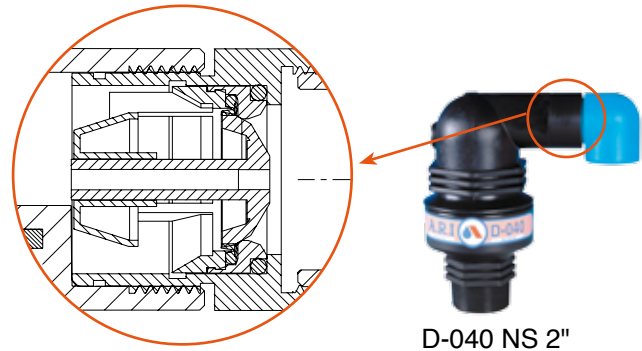
One-way models

D-040 series air valve is available as:

D-040-V -With a one-way, out-only attachment, allows air discharge only, prevents air intake (all models).

D-040-I -With a vacuum breaker, in-only attachment, allows air intake only, not allowing air discharge (D-040 2" only).

D-040-NS -With a non-slam, discharge-throttling attachment, allows full air intake, throttles air discharge (D-040 2" only).



D-040 NS 2"

Screen

Prevents penetration of debris and insects and can be assembled on the valve before or after the Discharge Outlet.

Each strainer has 2 threaded connections 1.5" NPSM/ 2" NPSM.



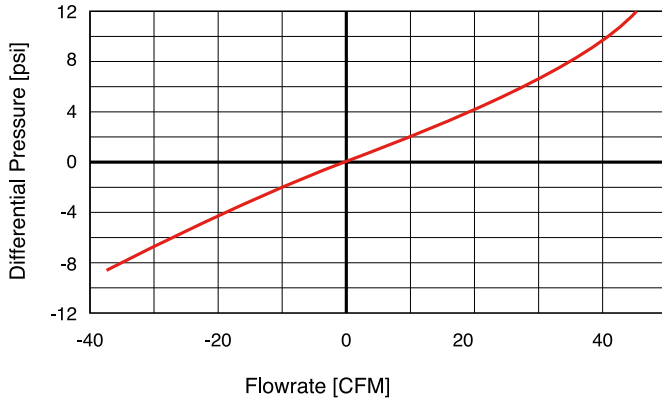
Air Valve Enclosure

A.R.I. air valve enclosure is used to protect air valve, for above surface air valve installations.

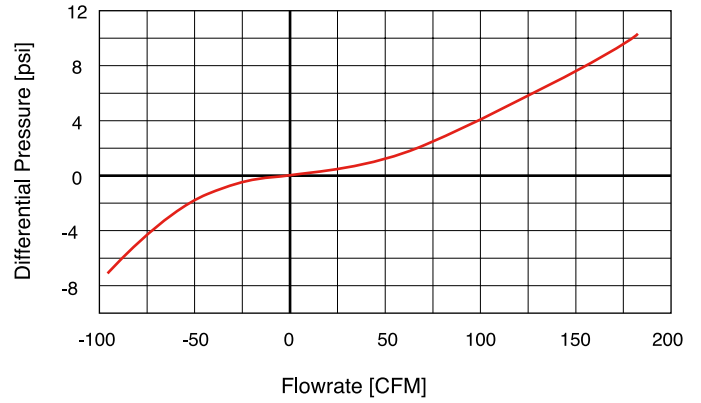
The special enclosure protects and hides the air valves from vandalism and damages.



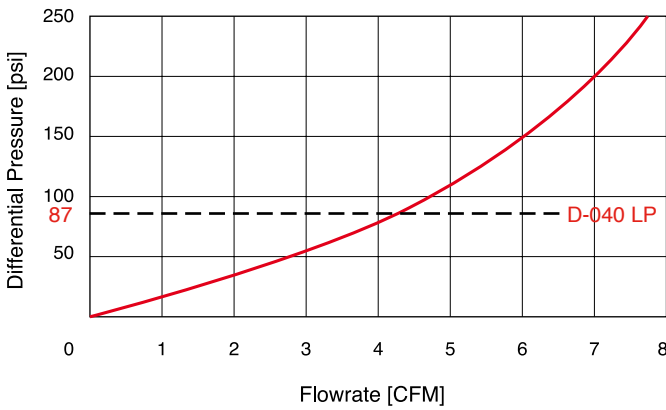
D-040 1/2" 3/4" 1"
AIR & VACUUM FLOWRATE



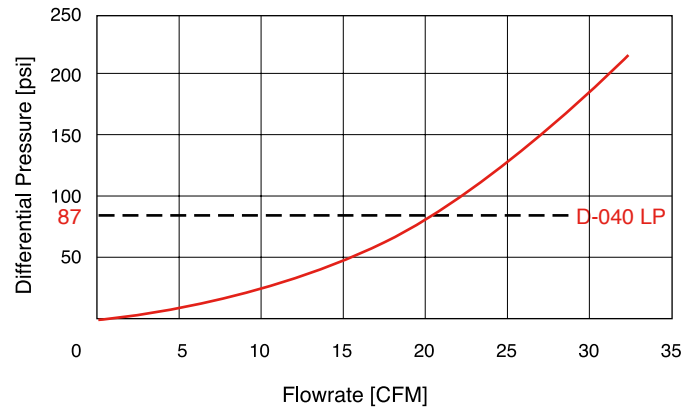
D-040 2"
AIR & VACUUM FLOWRATE



D-040 1/2" 3/4" 1"
AIR RELEASE FLOWRATE



D-040 2"
AIR RELEASE FLOWRATE





D-040 2"



D-040 NT 2"



D-040 ST 2"



D-040 3/4" 1"



D-040 LP 2"



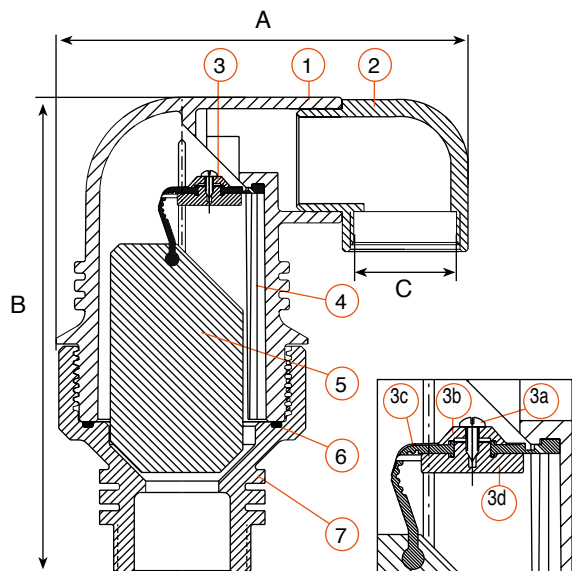
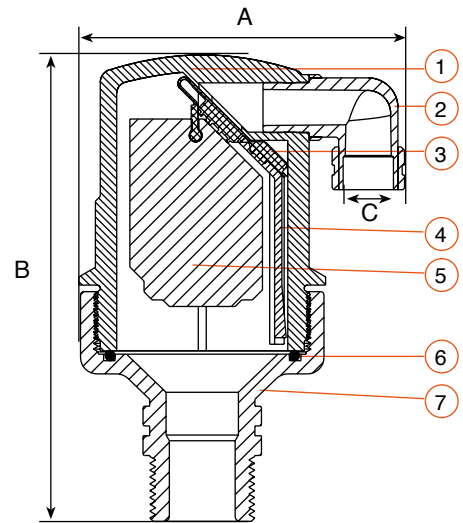
D-040 LP 3/4" 1"

DIMENSIONS AND WEIGHT

| Nominal Size | Dimensions inch | | | | Weight Lbs. | Orifice Area Sq.in | |
|---------------|-----------------|-----|------------|----------|-------------|--------------------|-------------|
| | A | B | internal C | external | | A / V | Air Release |
| D-040 3/4" 1" | 3.9 | 5.5 | 3/8 NPT | 0.86 | 0.73 | 0.155 | 0.012 |
| D-040 2" | 7 | 8.2 | 1 1/2 NPT | 2.16 | 2.35 | 1.246 | 0.018 |
| D-040 NT 2" | 5 | 8.2 | 1 1/2 NPT | 2.16 | 2.2 | 1.246 | 0.018 |

PARTS LIST AND SPECIFICATION

| No. | Part | Material |
|-----|---------------------------|--|
| 1. | Body | NSF 61 Certified Reinforced Nylon |
| 2. | Discharge Outlet | NSF 61 Certified Polypropylene |
| 3. | 3/4" 1" Rolling Seal | 250 psi NSF 61 Certified E.P.D.M 87 psi Silicon |
| | 2" Rolling Seal Assembly: | |
| 3a. | Screws | Stainless Steel |
| 3b. | Plug Cover | NSF 61 Certified Reinforced Nylon |
| 3c. | Rolling Seal | 250 psi NSF 61 Certified E.P.D.M 87 psi Silicon |
| 3d. | Plug | NSF 61 Certified Reinforced Nylon |
| 4. | Clamping Stem | NSF 61 Certified Reinforced Nylon |
| 5. | Float | NSF 61 Certified Foamed Polypropylene |
| 6. | O - Ring | NSF 61 Certified NBR 70 |
| 7. | Base | NSF 61 Certified Reinforced Nylon / Stainless Steel ASTM A744 CF84 |



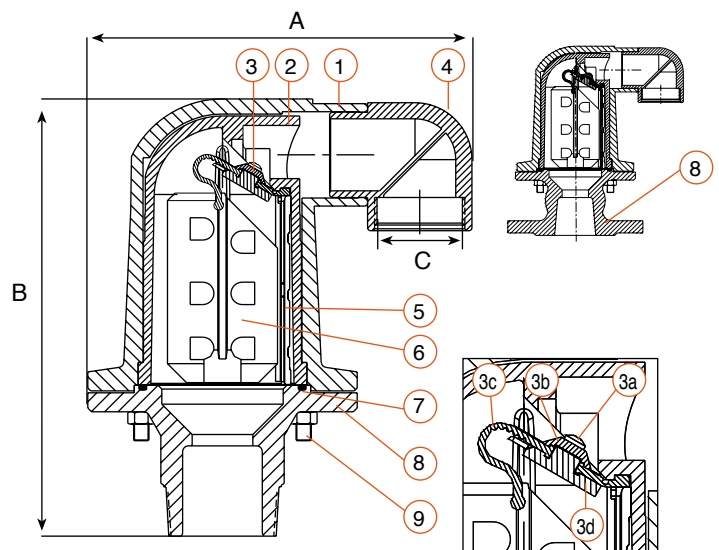
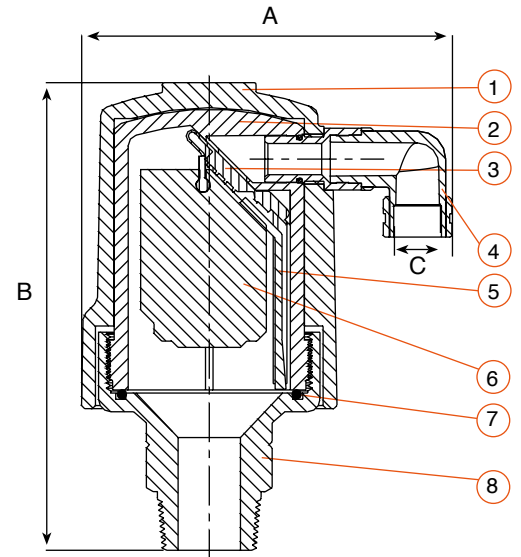


DIMENSIONS AND WEIGHT

| Nominal Size | Dimensions inch | | | | Weight Lbs. | Orifice Area Sq.in | |
|--------------|-----------------|-----|------------|----------|-------------|--------------------|-------------|
| | A | B | internal C | external | | A / V | Air Release |
| D-040-C 1" | 4.7 | 5.9 | 3/8 NPT | 0.86 | 3.75 | 0.127 | 0.0077 |
| D-040-C 2" | 8 | 9 | 1 1/2 NPT | 2.16 | 11.9 | 1.246 | 0.0186 |
| D-040-C F 2" | 8.4 | 9.2 | 1 1/2 NPT | 2.16 | 16 | 1.246 | 0.0186 |
| D-040-C F 3" | 9.3 | 9.2 | 1 1/2 NPT | 2.16 | 16.5 | 1.246 | 0.0186 |

PARTS LIST AND SPECIFICATION

| No. Part | Material |
|---------------------------|---|
| 1. Shell | Ductile Iron ASTM A-536 60-40-18 / Resicoat RT R4 |
| 2. Body | NSF 61 Certified Reinforced Nylon |
| 3. 3/4" 1" Rolling Seal | NSF 61 Certified E.P.D.M. |
| 2" Rolling Seal Assembly: | |
| 3a. Screws | Stainless Steel |
| 3b. Plug Cover | NSF 61 Certified Reinforced Nylon |
| 3c. Rolling Seal | NSF 61 Certified E.P.D.M. |
| 3d. Plug | NSF 61 Certified Reinforced Nylon |
| 4. Discharge Outlet | NSF 61 Certified Polypropylene |
| 5. Clamping Stem | NSF 61 Certified Reinforced Nylon |
| 6. Float | NSF 61 Certified Foamed Polypropylene |
| 7. O - Ring | NSF 61 Certified NBR 70 |
| 8. Base | 3/4" 1" Stainless Steel ASTM A744 CF8M 2" Ductile Iron ASTM A-536 60-40-18 / Resicoat RT R4 |
| 9. Bolts & Nuts | Stainless Steel ASTM A744 CF8M |



DIMENSIONS AND WEIGHTS

| Nominal Size | Dimensions inch | | Connection C | Weight Lbs. | Orifice Area Sq.in | |
|--------------|-----------------|-----|-------------------|-------------|--------------------|-------------|
| | A | B | | | A / V | Air Release |
| 1/2" 3/4" 1" | 3.7 | 5.5 | 3/8" NPT Female | 1.00 | 0.155 | 0.012 |
| 2" | 7.2 | 8.5 | 1 1/2" NPT Female | 3.10 | 1.246 | 0.018 |



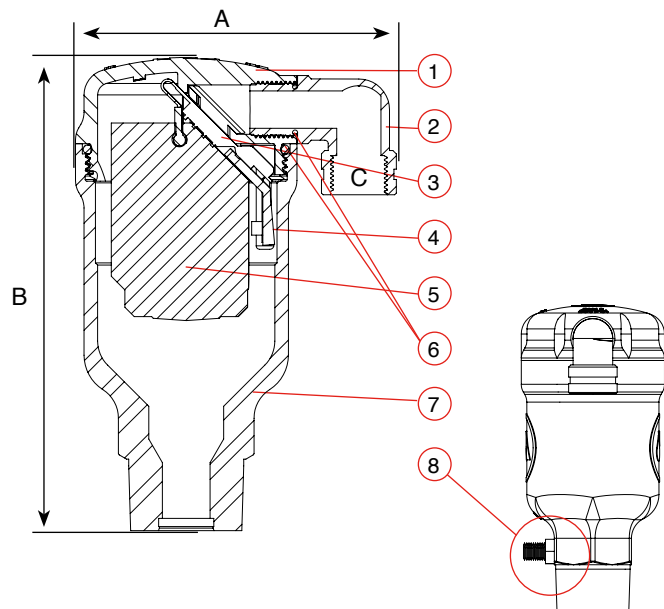
D-040 STST 2"



D-040 STST 3/4" 1"

PARTS LIST AND SPECIFICATION 1/2" 3/4" 1"

| No. | Part | Material |
|-----|------------------|--|
| 1. | Cover | Stainless Steel ASTM A744 CF8M / Duplex 5A |
| 2. | Discharge Outlet | Polypropylene |
| 3. | Rolling Seal | Viton / BUNA-N / E.P.D.M. |
| 4. | Clamping Stem | Polypropylene / R.N. |
| 5. | Float | Foamed Polypropylene |
| 6. | O-Ring | BUNA-N |
| 7. | Body | Stainless Steel ASTM A744 CF8M / Duplex 5A |
| 8. | Shrader valve | |



PARTS LIST AND SPECIFICATION 2"

| No. | Part | Material |
|-----|------------------------|--|
| 1. | Body | Stainless Steel ASTM A744 CF8M / Duplex 5A |
| 2. | Discharge Outlet | Polypropylene / Duplex 5A |
| 3. | Rolling Seal Assembly: | |
| 3a. | Screws | Stainless Steel |
| 3b. | Plug Cover | Polypropylene / R.N. |
| 3c. | Rolling Seal | Viton / BUNA-N / E.P.D.M. |
| 3d. | Plug | Polypropylene / R.N. |
| 4. | Clamping Stem | Polypropylene / R.N. |
| 5. | Float | Foamed Polypropylene |
| 6. | O-Ring | BUNA-N |
| 7. | Base | Stainless Steel ASTM A744 CF8M / Duplex 5A |

