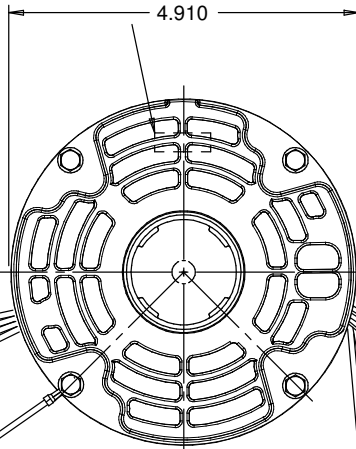
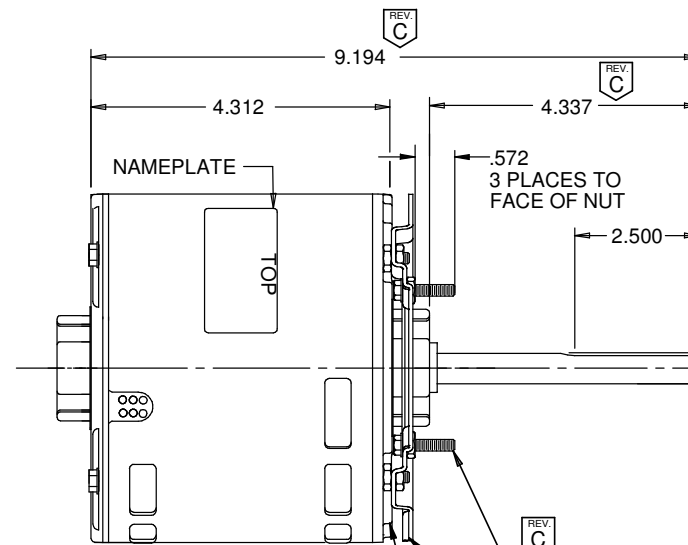
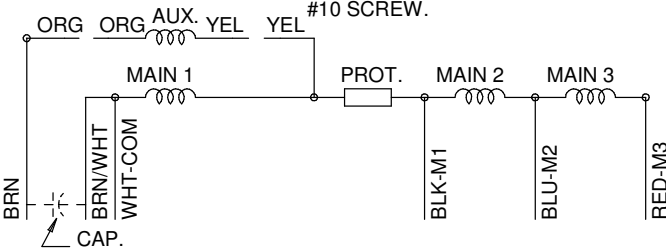


AUTOMATIC THERMAL PROTECTOR



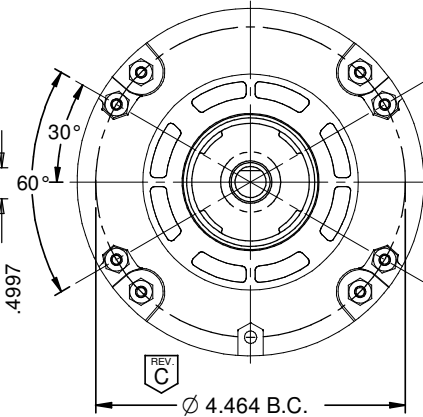
4 LEADS, #18, .062 THICK INSULATION TO EXTEND BEYOND MOTOR 33.000±1.0 AND SKINNED .500" (WHITE, BLACK, BLUE AND RED)

#16 GRN/YEL GROUND LEAD TO BE 12.000±.250 BETWEEN CENTERS OF TERMS. TERM. TO FIT #10 SCREW.



4 LEADS, #18, .031 THICK INSUL. (2) YEL & (2) ORG FOR REVERSING ROTATION. TO EXTEND BEYOND MOTOR 6.000±1.0

2 LEADS, #18, .062 THICK INSULATION TO EXTEND BEYOND MOTOR 12.000±1.0 AND TO HAVE .250 FLAG TYPE Q.C. TERMS WITH INSULATION GRIP. (BRN & BRN/WHT)



CATALOG NO.  
1390

MODEL	REF	CUSTOMER	HP	VOLTS	AMPS	HZ	RPM	ROTATION	CUSTOMER PN
K48HXSWA-3520		STANDARD	1/4	208-230	1.5	60	1050/3	CCW LEAD END REV.	1391

SHEET NUMBER	REV	REVISION RECORD FOR: C3057-00
1 OF 1	C	VIEW OF ENDSHIELD CHANGED AND ADD BRACKET ASM, 4.337 WAS 4.000, 9.194 WAS 8.857
REVISION DATE		
16-MAR-11		
ISSUED BY	REVIEWED BY	ENGINEER APPROVED
J. CORONADO	M. COLLINS	B. GAITAN

INFORMATION DISCLOSED ON THIS DOCUMENT IS CONSIDERED PROPRIETARY AND SHALL NOT BE REPRODUCED OR DISCLOSED WITHOUT WRITTEN CONSENT OF NIDEC MOTOR CORPORATION

**NIDEC MOTOR CORPORATION**

ALL DIMENSIONS ARE FOR REFERENCE ONLY UNLESS TOLERANCE IS GIVEN

TITLE	CODE	ITEM NO.	SIZE
ASSEMBLED VIEW	V01	333495	B