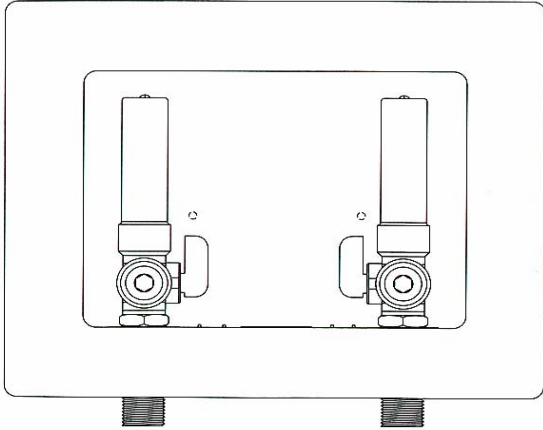


Specialty Products™



METAL WASHING MACHINE OUTLET BOX WITH WATER HAMMER ARRESTOR

Specification Sheet

PART NO.	COLOR	DESCRIPTION
WITH MIP VALVES		
OB-508	White	Center Outlet
OB-508-T	White	Center Outlet Tract Pack
OB-510	White	Reversible Outlet
OB-510-T	White	Reversible Outlet Tract Pack
WITH CPVC VALVES		
OB-513	White	Center Outlet
OB-513-T	White	Center Outlet Tract Pack
OB-511	White	Reversible Outlet Tract Pack
OB-511-T	White	Reversible Outlet
WITH PEX VALVES		
OB-516	White	Center Outlet
OB-516-T	White	Center Outlet Tract Pack
OB-517	White	Reversible Outlet
OB-517-T	White	Reversible Outlet Tract Pack
WITH WIRSBO PEX VALVES		
OB-519	White	
OB-519-T	White, Tract Pack	
REHAU PEX		
OB-523	1/2" Rehau PEX 3/4"	Unassembled
OB-523-T	1/2" Rehau PEX 3/4"	Unassembled, Tract Pack

SPECIFICATION

Furnish and install Metal Washing Machine Outlet Box with brass valves as manufactured by LSP Products Group/Specialty Products.

DESIGN FEATURES

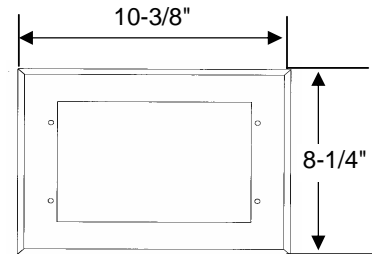
- Available in reversible left or right outlet model and center outlet model.
- Easy to install
- Packaged with face plate
- Deep face plate for 1" thick drywall.
- Constructed of powder-coated 20 gauge steel.

COMPLIANCES/LISTINGS

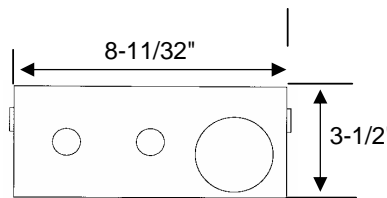
- Valve meets or exceeds:
 - ASME A112.18.1
 - NSF Standard 61
- Water hammer arrestor meets or exceeds: ASSE 1010



Front View



Face Plate



Bottom View



3689 Arrowhead Drive, Carson City, NV 89706
 Phone (800) 854-3215 Fax (800) 243-1777
 E-mail sales@lspproducts.com Website www.lspproducts.com

Content matter is subject to change at any time. It is the user's responsibility to ensure the most updated revisions are obtained.

Product Submittal	
Job Name	
Date	
Part Number	Quantity
Architect	
Contractor	