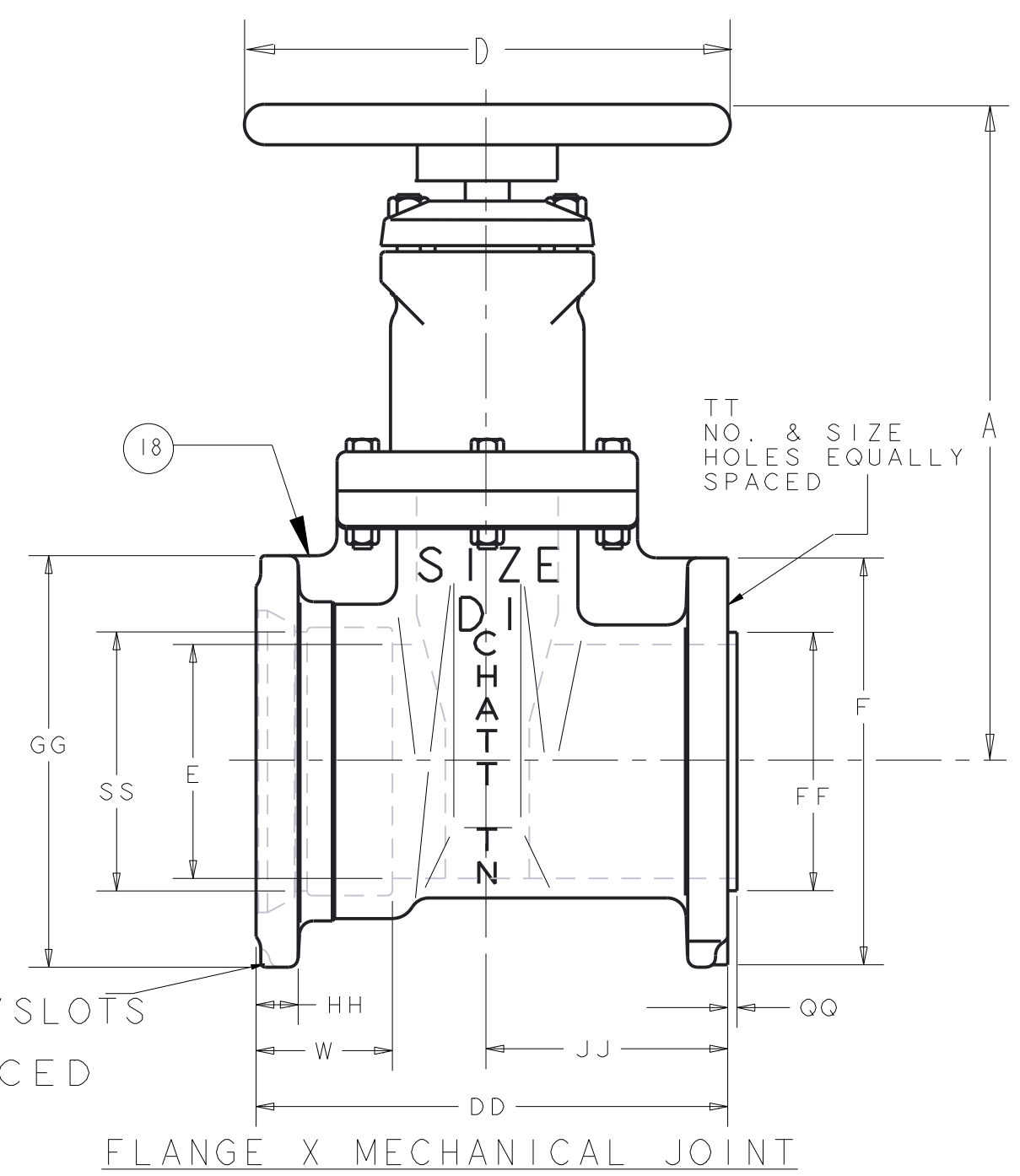


PARTS LIST					
ITEM	DESCRIPTION	REQ'D	MATERIAL	ASTM	
1	CAP SCREW	1	316 STAINLESS STEEL	F593	GROUP 2-CW
2	WRENCH NUT	1	CAST IRON (SEE NOTE 2)	A126	CLASS B
3	STEM	1	BRONZE	B138	ALLOY C67600
4	STUFFING BOX	1	CAST IRON	A126	CLASS B
5	STUFFING BOX BOLT	2	316 STAINLESS STEEL	F593	GROUP 2-CW
6	O-RING	3	RUBBER	D2000	NITRILE
7	O-RING	1	RUBBER	D2000	NITRILE
8	ANTI-FRICTION WASHER	2	CELCON	F593	M90
9	BONNET	1	DUCTILE IRON	A536	
10	BONNET BOLT	"Z"	316 STAINLESS STEEL	F593	GROUP 2-CW
11	O-RING (SEE NOTE 2)	1	RUBBER	D2000	NITRILE
13	STEM NUT	1	BRONZE	B62	C87600
14	DISC	1	SEE NOTES 1 & 2		
15	GUIDE CAP	2	ACETAL		M90
17	HANDWHEEL	1	CAST IRON (SEE NOTE 2)	A126	CLASS B
18	BODY (M.J. TAPPING)	1	DUCTILE IRON	A536	
21	BONNET NUT	"Z"	316 STAINLESS STEEL	F594	GROUP 2-CW
22	STUFFING BOX NUT	2	316 STAINLESS STEEL	F594	GROUP 2-CW
23	WIPER RING (4"-12" ONLY)	1	RUBBER	D2000	NITRILE

NOTE:
 (1) 3" RUBBER ENCAPSULATED CAST IRON DISC
 CAST IRON - ASTM A126 CL. B
 RUBBER - SBR - ASTM D2000
 4"-12" RUBBER ENCAPSULATED DUCTILE IRON DISC
 DUCTILE IRON - ASTM A536
 RUBBER - SBR - ASTM D2000
 (2) MANUFACTURER'S OPTION TO UPGRADE MAT'L
 TO DI - ASTM A536



EE- NO & SIZE HOLES/SLOTS
 EQUALLY SPACED

DIMENSIONS FOR MUELLER RESILIENT WEDGE VALVE - INCHES

VALVE SIZE	A	B	C	D	E	F	W	Z	DD	EE	FF	GG	HH	JJ	QQ	SS	WW	TT	TTURNS TO OPEN	MIN WALL THICKNESS	VALVE WEIGHT LBS
3	12.38	6.01	8.63	8.00	3.30	7.50	2.56	6	8.80	4 - .75	3.984 3.954	7.50	1.00	4.55	0.18	4.08	3.50	4 - .75	11	.37	69
4	14.19	8.25	10.79	11.00	4.30	9.00	3.21	4	11.73	4 - .88	4.984 4.954	9.12	1.12	6.05	0.18	4.92	4.47	8 - .75	14	.42	99
6	18.00	10.50	13.50	13.00	6.30	11.00	3.03	6	12.75	6 - .88	6.984 6.954	11.12	1.18	6.50	0.25	7.03	4.91	8 - .88	20.5	.45	160
8	21.50	13.21	16.36	14.00	8.30	13.50	3.22	6	14.37	6 - .88	8.984 8.954	13.38	1.30	7.50	0.25	9.17	5.46	8 - .88	26.5	.52	254
12	28.62	16.83	21.00	16.00	12.30	19.00	2.88	8	14.99	8 - .88	12.984 12.954	17.94	1.38	7.00	0.25	13.32	6.15	12 - 1.0	38.5	.69	525

3" - 12" T2362 TAPPING VALVES W/ DUCTILE IRON DISC & 316 SS FASTENERS

APPROVED
 By Charles "Graham" Hines at 5:18 pm, Aug 22, 2014

DR BY: AO	8/15/14	UNLESS OTHERWISE NOTED	THIRD ANGLE PROJECTION	C.D. NO.
CHKD: JM	8/15/14	BREAK CAST CORNERS!		
ENGR: COH	8/15/14	BREAK MACH CORNERS!	PURCH: NO	FINISH: ASS
MFR:			REF. NO.	SCALE: NONE
MFG:				
TOOL:				
FDRT:				
MAT'L: NOTED		DESCR: 3"-12" T2362 TAPPING VALVES W/ DUCTILE IRON DISC & 316 SS FASTENERS		NUMBER: 7178