



1 8 - CD23 D1 - 4

Installer's Guide

Upflow/ Horizontal and Downflow/ Horizontal, Gas-Fired, Direct Vent, Variable Speed Inducer, 3-Stage Condensing Communicating Furnaces

*UH3B060ACV3VA

*UH3B080ACV3VA

*UH3C100ACV4VA

*UH3D120ACV5VA

*DH3B060ACV3VA

*DH3B080ACV3VA

*DH3C100ACV4VA

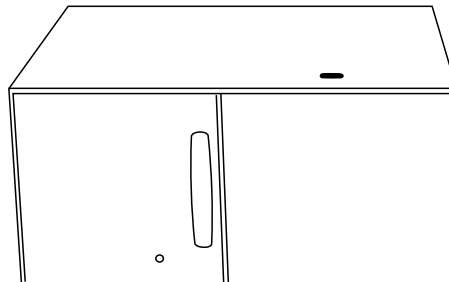
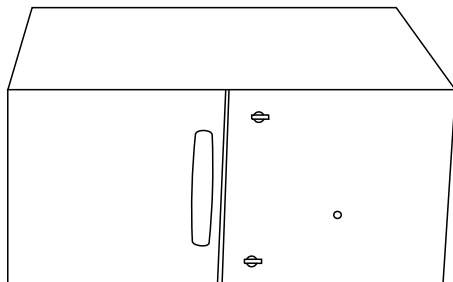
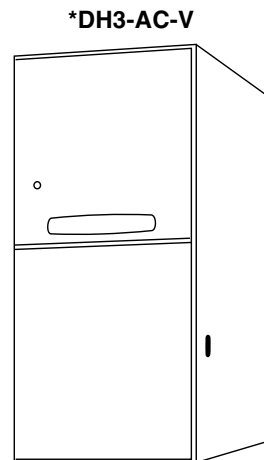
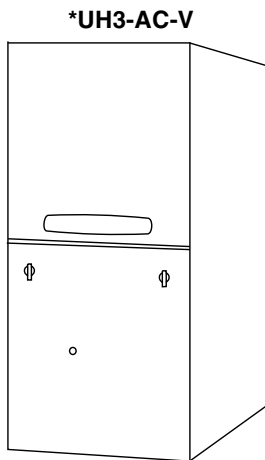
*DH3D120ACV5VA

* First letter may be "A" or "T"

This Communicating Furnace works ONLY with the *CONT900AC43UA programmable Comfort Control. (* may be "A" or "T")

ALL phases of this installation must comply with NATIONAL, STATE AND LOCAL CODES

IMPORTANT — This Document is **customer property** and is to remain with this unit. Please return to service information pack upon completion of work.



Safety signal words are used to designate a degree or level of seriousness associated with a particular hazard.

The signal words for safety markings are **WARNING**, and **CAUTION**.

- a. **WARNING** indicates a potentially hazardous situation which, if not avoided, could result in death or serious injury.
- b. **CAUTION** indicates a potentially hazardous situation which, if not avoided, may result in minor or moderate injury. It is also used to alert against unsafe practices and hazards involving only property damage.

WARNING

CARBON MONOXIDE POISONING HAZARD

Failure to follow the steps outlined below for each appliance connected to the venting system being placed into operation could result in carbon monoxide poisoning or death.

The following steps shall be followed for each appliance connected to the venting system being placed into operation, while all other appliances connected to the venting system are not in operation:

1. Seal any unused openings in the venting system.
2. Inspect the venting system for proper size and horizontal pitch, as required in the National Fuel Gas Code, ANSI Z223.1/NFPA 54 or the CSA B149.1 *Natural Gas and Propane Installation Code* and these instructions. Determine that there is no blockage or restriction, leakage, corrosion and other deficiencies which could cause an unsafe condition.
3. As far as practical, close all building doors and windows and all doors between the space in which the appliance(s) connected to the venting system are located and other deficiencies which could cause an unsafe condition.
4. Close fireplace dampers.
5. Turn on clothes dryers and any appliance not connected to the venting system. Turn on any exhaust fans, such as range hoods and bathroom exhausts, so they are operating at maximum speed. Do not operate a summer exhaust fan.
6. Follow the lighting instructions. Place the appliance being inspected into operation. Adjust the thermostat so appliance is operating continuously.
7. Test for spillage from draft hood equipped appliances at the draft hood relief opening after 5 minutes of main burner operation. Use the flame of a match or candle.
8. If improper venting is observed during any of the above tests, the venting system must be corrected in accordance with the National Fuel Gas Code, ANSI Z221.1/NFPA 54 and/or CSA B149.1 *Natural Gas and Propane Installation Code*.
9. After it has been determined that each appliance connected to the venting system properly vents where when tested as outlined above, return doors, windows, exhaust fans, fireplace dampers and any other gas-fired burning appliance to their previous condition of use.

WARNING

FIRE OR EXPLOSION HAZARD

FAILURE TO FOLLOW THE SAFETY WARNINGS EXACTLY COULD RESULT IN SERIOUS PERSONAL INJURY, PROPERTY DAMAGE, OR DEATH. IMPROPER SERVICING COULD RESULT IN DANGEROUS OPERATION, SERIOUS PERSONAL INJURY, PROPERTY DAMAGE, OR DEATH.

The following warning complies with State of California law, Proposition 65.

WARNING

Hazardous Gases!

Exposure to fuel substances or by-products of incomplete fuel combustion is believed by the state of California to cause cancer, birth defects, or other reproductive harm.

WARNING

Failure to follow safety warnings exactly, could result in a fire or explosion causing property damage, personal injury or loss of life.

- Do not store or use gasoline or other flammable vapors and liquids in the vicinity of this or any other appliance.
- WHAT TO DO IF YOU SMELL GAS
 - Do not try to light any appliance.
 - Do not touch any electrical switch; do not use any phone in your building.
 - Immediately call your gas supplier from a neighbor's phone. Follow the gas supplier's instructions.
 - If you cannot reach your gas supplier, call the fire department.
- Installation and service must be performed by a qualified installer, service agency or the gas supplier.

WARNING

EXPLOSION HAZARD!

PROPANE GAS IS HEAVIER THAN AIR AND MAY COLLECT IN ANY LOW AREAS OR CONFINED SPACES. IN ADDITION, ODORANT FADE MAY MAKE THE GAS UNDETECTABLE EXCEPT WITH A WARNING DEVICE. IF THE GAS FURNACE IS INSTALLED IN A BASEMENT, AN EXCAVATED AREA OR A CONFINED SPACE, IT IS STRONGLY RECOMMENDED TO CONTACT A GAS SUPPLIER TO INSTALL A GAS DETECTING WARNING DEVICE IN CASE OF A GAS LEAK.

NOTE: The manufacturer of your furnace does NOT test any detectors and makes no representations regarding any brand or type of detector.

WARNING

SAFETY HAZARD

THIS INFORMATION IS INTENDED FOR USE BY INDIVIDUALS POSSESSING ADEQUATE BACK-GROUNDS OF ELECTRICAL AND MECHANICAL EXPERIENCE. ANY ATTEMPT TO REPAIR A CENTRAL AIR CONDITIONING PRODUCT MAY RESULT IN PERSONAL INJURY AND OR PROPERTY DAMAGE. THE MANUFACTURER OR SELLER CANNOT BE RESPONSIBLE FOR THE INTERPRETATION OF THIS INFORMATION, NOR CAN IT ASSUME ANY LIABILITY IN CONNECTION WITH ITS USE.

CAUTION

Sharp Edge Hazard. Be careful of sharp edges on equipment or any cuts made on sheet metal while installing or servicing. Personal injury may result.

⚠ WARNING

EXPLOSION HAZARD!

NEVER USE AN OPEN FLAME TO DETECT GAS LEAKS. EXPLOSIVE CONDITIONS MAY OCCUR. USE A LEAK TEST SOLUTION OR OTHER APPROVED METHODS FOR LEAK TESTING. FAILURE TO FOLLOW THIS WARNING COULD RESULT IN PROPERTY DAMAGE, PERSONAL INJURY OR DEATH.

⚠ CAUTION

To prevent shortening its service life, the Furnace should NOT be used as a "Construction Heater" during the finishing phases of construction until the requirements listed in item 9, a-i of the safety section of this publication have been met. Condensate in the presence of chlorides and fluorides from paint, varnish, stains, adhesives, cleaning compounds, and cement create a corrosive condition which may cause rapid deterioration of the heat exchanger.

⚠ WARNING

DO NOT USE SEMI-RIGID METALLIC GAS CONNECTORS (flexible GAS lines) within the Furnace cabinet. Failure to follow this warning could result in property damage, personal injury or death.

⚠ CAUTION

Do NOT install the furnace in a corrosive or contaminated atmosphere. Failure to follow this warning could result in early equipment failure.

NOTE: The furnace must be installed level. The only allowable variation would be slightly to the left and/or forward in upflow installations or slightly toward the front in horizontal installations. This is necessary for proper condensate drainage.

⚠ WARNING

DO NOT INSTALL THE FURNACE DIRECTLY ON CARPETING, TILE OR OTHER COMBUSTIBLE MATERIAL OTHER THAN WOOD FLOORING. FOR VERTICAL DOWNFLOW APPLICATIONS, SUBBASE (BAYBASE205) MUST BE USED BETWEEN THE FURNACE AND COMBUSTIBLE FLOORING. WHEN THE DOWNFLOW FURNACE IS INSTALLED VERTICALLY WITH A CASED COIL, A SUBBASE IS NOT REQUIRED. FAILURE TO FOLLOW THE WARNING EXACTLY COULD RESULT IN SERIOUS PERSONAL INJURY, PROPERTY DAMAGE OR DEATH.

The following safety practices and precautions must be followed during the installation, servicing, and operation of this furnace.

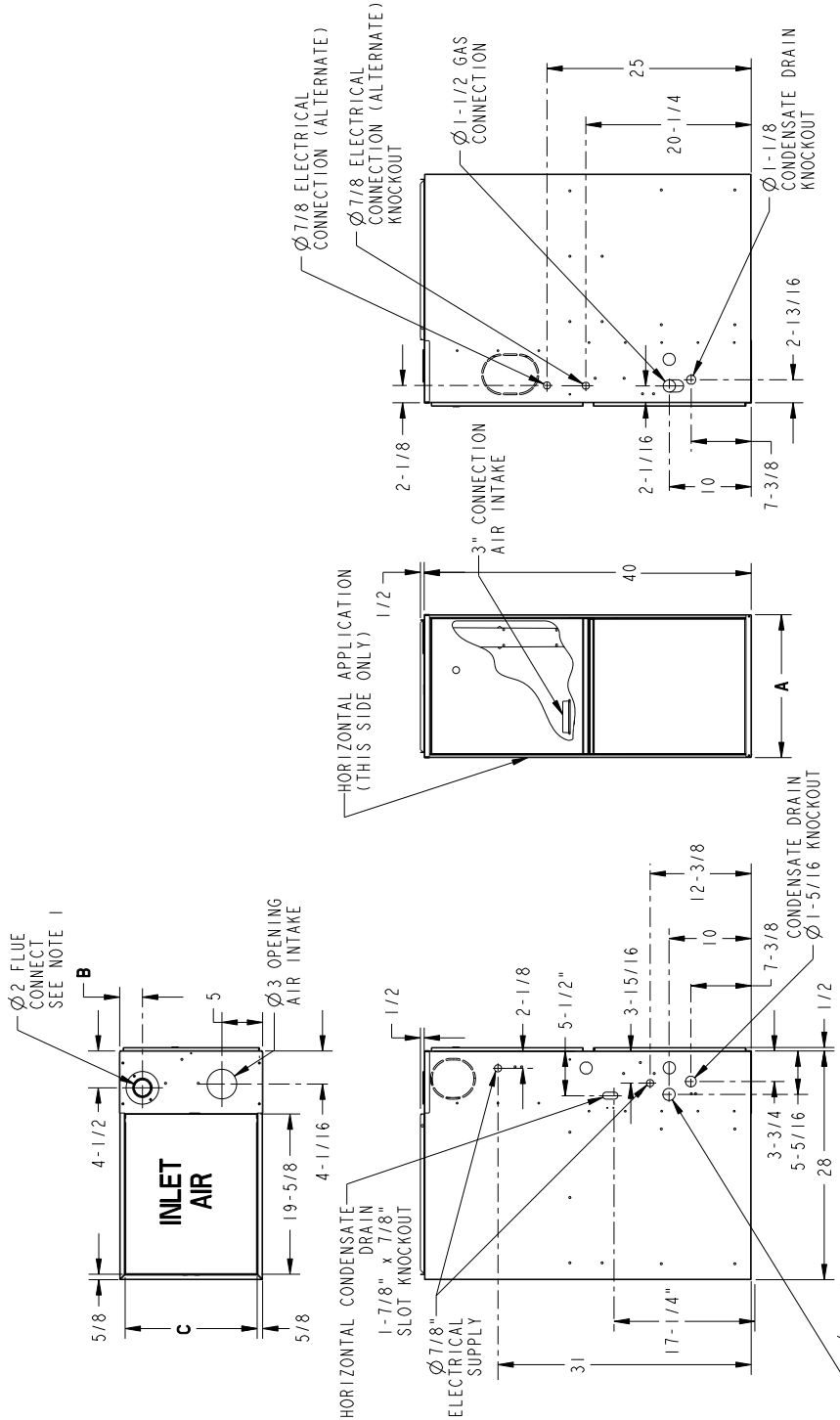
1. Use only with the type of gas approved for this Furnace. Refer to the furnace rating plate.

Contents

Safety Section	2
Installation Instructions	6
Outline Drawing	4
Locations and Clearances	6
General Installation Instructions	6
Upflow Installation	7
Downflow Installations	7
Horizontal Installation	7
Air for Combustion and Ventilation	8
Duct Connections	9
Return Air Filters	11
General Venting Information	15
Venting Materials	18
Vent Length Table	19
Horizontal Venting Through the Wall	21
Downward Venting	21
Venting Through the Roof	21
Venting Routed Through a Masonry Chimney	27
Electrical Connections	28
Field Wiring Diagrams	29
Condensate Drain Instructions	31
Gas Piping	33
Combustion and Input Check	35
High Altitude Derate	37
Start-up and Adjustment	40
Preliminary Inspections	40
Lighting Instructions	40
User Interface Menu	42
Sequence of Operation	43
Control and Safety Switch Adjustments	48
Airflow Adjustment	48
Conditions Effecting Furnace Operation	49
Alert Code Recovery	50
Furnace Alert Codes	51

2. Install this furnace only in a location and position as specified in "Location and Clearances" on page 6 of these instructions.
3. Provide adequate combustion and ventilation air to the Furnace space as specified in "Air for Combustion and Ventilation" of these instructions.
4. Combustion products must be discharged outdoors. Connect this furnace to an approved vent system only, as specified in the "Venting" section (pages 15-27), of these instructions.
5. Never test for gas leaks with an open flame. Use a commercially available soap solution made specifically for the detection of leaks to check all connections, as specified in the "Gas Piping" section starting on page 33.
6. Always install the furnace to operate within the furnace's intended temperature-rise range with a duct system which has an external static pressure within the allowable range, as specified on the unit rating plate. Airflow with temperature rise for cfm versus static is shown in the Service Facts accompanying this Furnace.

*DH3-AC-V DOWNFLOW/HORIZONTAL OUTLINE DRAWING (ALL DIMENSIONS ARE IN INCHES)



MODEL (SEE NOTE 1)	DIM "A"	DIM "B"	DIM "C"	DIM "D"
*DH3B060ACV3VA	17-1/2"	2-1/4"	16-1/4"	16"
*DH3B080ACV3VA	21"	2-1/2"	19-3/4"	19-1/2"
*DH3C100ACV4VA	24-1/2"	2-15/16"	23-1/4"	23"

NOTES:
 1. DIAMETER OF VENT PIPE MAY BE LIMITED TO 2-1/2" OR 3" ON SOME MODELS AT DIFFERENT ALTITUDES. REFER TO THE VENT LENGTH TABLE FOR PROPER APPLICATION.

MINIMUM CLEARANCE TO COMBUSTIBLE MATERIALS DOWNFLOW		HORIZONTAL FLUE DISCHARGE ON THE LEFT	
SIDES	0 IN.	SIDES	0 IN.
REAR	3 IN.	RIGHT	0 IN.
FRONT	3 IN.	LEFT	0 IN.
TOP	1 IN.	REAR	6 IN.
FLUE	0 IN.	FRONT	18 IN.
		TOP	1 IN.
		FLUE	0 IN.
		CLOSET	
		SIDES	1 IN.
		RIGHT	1 IN.
		LEFT	3 IN.
		REAR	3 IN.
		FRONT	1 IN.
		TOP	0 IN.
		FLUE	0 IN.

* PREFIX MAY BE "A" OR "1"

Installer's Guide

7. When a furnace is installed so that supply ducts carry air circulated by the furnace to areas outside the space containing the furnace, the return air shall also be handled by a duct(s) sealed to the furnace casing and terminating outside the space containing the furnace.
8. A gas-fired furnace for installation in a residential garage must be installed as specified in "Location and Clearances" section of these instructions.
9. The furnace may be used for temporary heating of buildings or structures under construction only when the following conditions have been met:
 - a. The furnace venting system must be complete and installed per manufacturers instructions.
 - b. The furnace is controlled only by a room Comfort Control (no field jumpers).
 - c. The furnace return air duct must be complete and sealed to the furnace.
 - d. The furnace input rate and temperature rise must be verified to be within nameplate marking.
 - e. 100% of the furnace combustion air requirement must come from outside the structure.
 - f. The Furnace return air temperature range is between 55° and 80° Fahrenheit.
 - g. Clean the Furnace, duct work, and components upon substantial completion of the construction process, and verify Furnace operating condition including ignition, input rate, temperature rise and venting, according to the manufacturer's instructions.
 - h. An external field supplied air filter must be used during construction.

10. This product must be gas piped by a Licensed Plumber or Gas Fitter in the Commonwealth of Massachusetts.

LOCATION AND CLEARANCES

The location of the furnace is normally selected by the architect, the builder, or the installer. However, before the furnace is moved into place, be sure to consider the following requirements:

1. Is the location selected as near the chimney or vent and as centralized for heat distribution as practical?
2. Do all clearances between the furnace and enclosure equal or exceed the minimums stated in Clearance Table on the Outline Drawings on pages 4 and 5?
3. Is there sufficient space for servicing the furnace and other equipment? A minimum of 24 inches front accessibility to the furnace must be provided. Any access door or panel must permit removal of the largest component.

4. Are there at least 3 inches of clearance between the furnace combustion air openings in the front panel and any closed panel or door provided?
5. Are the ventilation and combustion air openings large enough and will they remain unobstructed? If outside air is used, are the openings set above the highest snow accumulation level? (See the Air for Combustion and Ventilation section.)
6. Allow sufficient height in supply plenum above the furnace to provide for cooling coil installation, if the cooling coil is not installed at the time of this furnace installation.
7. A furnace shall be installed so electrical components are protected from water.
8. If the furnace is installed in a **residential garage**, it must be installed so that the burners, and the ignition source are located not less than 18 inches above the floor and the furnace must be located or protected to avoid physical damage from vehicles.

GENERAL INSTALLATION INSTRUCTIONS

The manufacturer assumes no responsibility for equipment installed in violation of any code or regulation.

It is recommended that Manual J of the Air Conditioning Contractors Association (ACCA) or A.R.I. 230 be followed in estimating heating requirements. When estimating heating requirements for installation at Altitudes above 2000 ft., remember the gas input must be reduced (See GAS INPUT ADJUSTMENT).

Material in this shipment has been inspected at the factory and released to the transportation agency without known damage. Inspect exterior of carton for evidence of rough handling in shipment. Unpack carefully after moving equipment to approximate location. If damage to contents is found, report the damage immediately to the delivering agency.

Codes and local utility requirements governing the installation of gas fired equipment, wiring, plumbing, and flue connections must be adhered to. In the absence of local codes, the installation must conform with latest edition of the National Fuel Gas Code ANSI Z223.1 • National Installation Code, CAN/CGA B149.1. The latest code may be obtained from the American Gas Association Laboratories, 400 N. Capitol St. NW, Washington D.C. 20001.

1-800-699-9277 or www.aga.org

These furnaces have been classified as CATEGORY IV furnaces in accordance with latest edition of ANSI Z21.47 standards • CAN/CGA 2.3. Category IV furnaces operate with positive vent static pressure and with a flue loss less than 17 percent. These conditions require special venting systems, which must be gas tight and water tight. These Category IV Direct Vent furnaces are not approved for installation in Manufactured/ Mobile housing.

⚠ WARNING

DO NOT INSTALL THE FURNACE DIRECTLY ON CARPETING, TILE OR OTHER COMBUSTIBLE MATERIAL OTHER THAN WOOD FLOORING. FOR VERTICAL DOWNFLOW APPLICATIONS, SUBBASE (BAYBASE205) MUST BE USED BETWEEN THE FURNACE AND COMBUSTIBLE FLOORING. WHEN THE DOWNFLOW FURNACE IS INSTALLED VERTICALLY WITH A CASED COIL, A SUBBASE IS NOT REQUIRED. FAILURE TO FOLLOW THE WARNING EXACTLY COULD RESULT IN SERIOUS PERSONAL INJURY, PROPERTY DAMAGE OR DEATH.

UPFLOW INSTALLATION

Standoffs and screws (See Figure 1) are included with the cased coils for attachment to the furnace. There are clearance alignment holes near the bottom of the coil wrapper. Drill screws are used to engage the furnace top flanges. The standoff is inserted into the cabinet alignment hole. The drill screws are inserted through the standoffs then screwed into the furnace flange. The coil is always placed downstream of the furnace airflow.

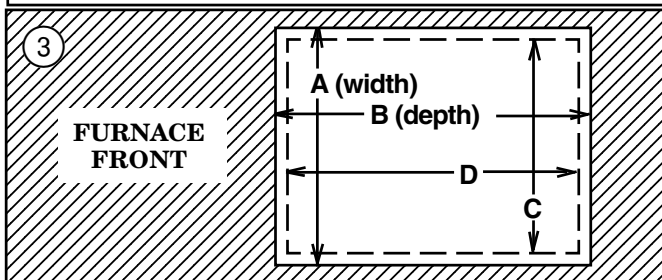
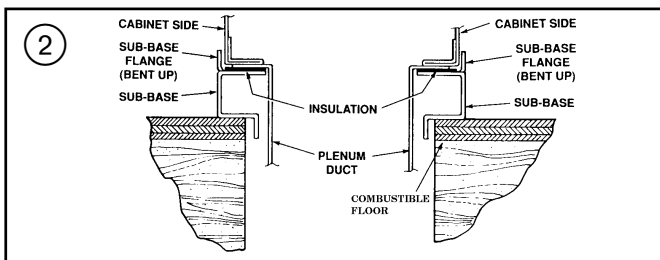
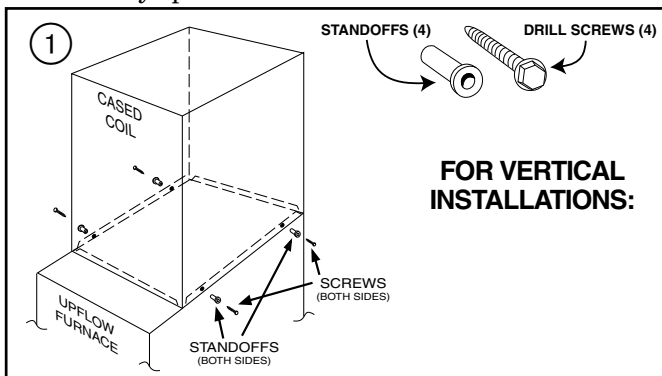


TABLE 1

CABINET WIDTH	RETURN DUCT WIDTH	FLOOR OPENING		PLENUM OPENING	
		"A"	"B"	"C"	"D"
17-1/2"	16-1/4"	16-5/8"	20-1/8"	15-5/8"	19-3/8"
21"	19-3/4"	20-1/8"	20-1/8"	19-1/8"	19-3/8"
24-1/2"	23-1/4"	23-5/8"	20-1/8"	22-5/8"	19-3/8"

DOWNFLOW INSTALLATIONS

REQUIRED FLOOR OPENING: (DOWNFLOW)
SEE FIGURE 3 AND TABLE 1

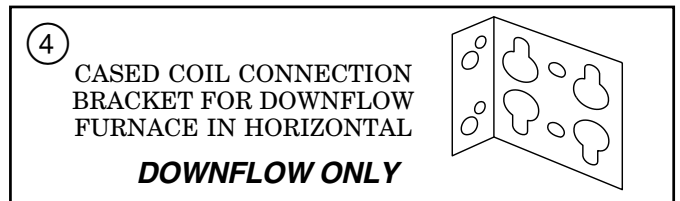
HORIZONTAL INSTALLATION

IMPORTANT:

The 2/4TXC cased coil must be placed downstream of the furnace. In horizontal installations, the apex of the coil may point either toward or away from the furnace. See the 2/4TXC coil Installer's Guide for more details.

The coil and furnace must be fully supported when used in the horizontal position. It is always recommended that an auxiliary drain pan be installed under a horizontally installed evaporator coil or 90% or greater Gas Furnace. Connect the auxiliary drain line to a separate drain line (no trap is needed in this line).

Three brackets (with screws) are included with downflow furnaces for installation to stabilize and secure the furnace and TXC cased coil in the **horizontal position**. See Figure 4. The coil is placed downstream of the furnace, with the apex of the coil pointing in either direction of the airflow for **horizontal installation**. The cased coil is secured to the furnace and both the furnace **and** the cased coil must be properly supported. The brackets mount using the rear screws on the coil case and use the screws provided to secure the bracket to the furnace. The remaining bracket is placed as close

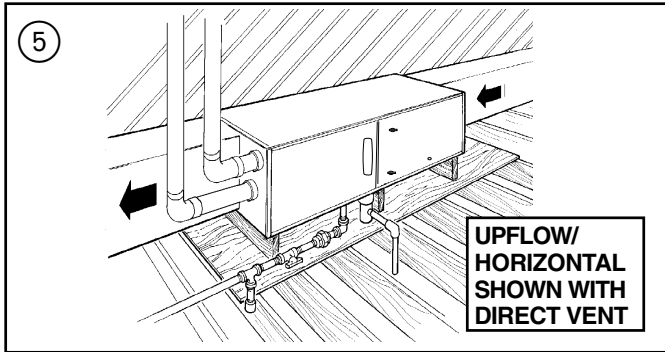


to center as possible (horizontally) between the coil case front and the furnace bottom channel (for downflow/horizontal furnace). Use four of the screws provided to secure the bracket. The coil requires additional support.

The furnace may be installed in an attic or crawl space in the horizontal position by placing the furnace *on the left side* (as viewed from the front in the vertical position). The horizontal furnace installation in an attic should be on a service platform large enough to allow for proper clearances on all sides and service access to the front of the furnace (See Figure 5 & Clearance Tables, on the Outline drawings on pages 4-5). Line contact is only permissible between lines formed by intersections of the top and two sides of the furnace casing and building joists, studs, or framing.

The furnace may be placed horizontally in a crawl space on a pad or other noncombustible material which will raise the unit for sufficient protection from moisture.

Installer's Guide



The furnace must be supported at both ends and the middle when installed horizontally. The furnace must also be elevated approximately 4-6 inches to allow clearance for the condensate drain to exit the cabinet in the horizontal position.

The horizontal furnace may also be suspended from the joists using all-thread rods with a substantial metal support frame that supports the entire length of the furnace. The rods need to be of sufficient length to allow for proper clearances from combustible materials. The frame needs to be at least 32" in length to allow for access to service panels.

If the furnace is suspended using steel strap, it must be supported at all four corners and in the middle at the front of the furnace.

AIR FOR COMBUSTION AND VENTILATION

If these furnaces are installed in a nondirect vent capacity then the adequate flow of combustion and ventilating air must not be obstructed from reaching the furnace. Air openings provided for combustion air must be kept free of obstructions which restrict the flow of air. Airflow restrictions affect the efficiency and safe operation of the furnace. Keep this in mind should you choose to remodel or change the area which contains your furnace. Furnaces must have a free flow of air for proper performance.

Provisions for combustion and ventilation air shall be made in accordance with latest edition of Section 5.3, Air for Combustion and Ventilation, of the National Fuel Gas Code, ANSI Z223.1 — CAN/CGA B149.1 or applicable provisions of the local building codes. Special conditions created by mechanical exhausting of air and

fireplaces must be considered to avoid unsatisfactory furnace operation.

OUTSIDE AIR IS RECOMMENDED

The use of indoor air for most applications is acceptable, unless there is the presence of corrosive chemicals or contamination. Certain types of installation will require the use of outside air for combustion.

The following types of installations will **require** use of OUTDOOR AIR for combustion, due to chemical exposures:

- * Commercial buildings
- * Buildings with indoor pools
- * Furnaces installed in "confined" laundry rooms
- * Furnaces installed in "confined" hobby or craft rooms
- * Furnaces installed near chemical storage areas.

Exposure to the following substances in the combustion air supply will also **require** OUTDOOR AIR for combustion:

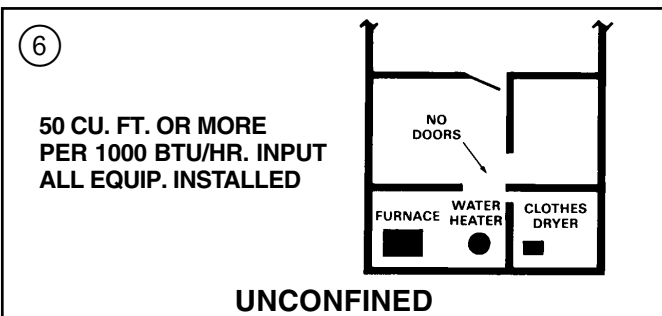
- * Permanent wave solutions
- * Chlorinated waxes and cleaners
- * Chlorine based swimming pool chemicals
- * Water softening chemicals
- * Deicing salts or chemicals
- * Carbon Tetrachloride
- * Halogen type refrigerants
- * Cleaning solvents (such as perchloroethylene)
- * Printing inks, paint removers, varnish, etc.
- * Hydrochloric acid
- * Cements and glues
- * Antistatic fabric softeners for clothes dryers
- * Masonry acid washing materials

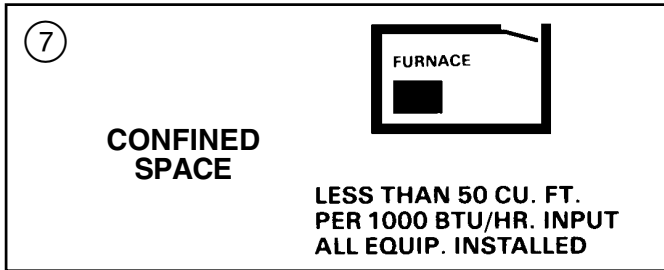
Furnace locations may be in a "confined space" or an "unconfined space".

Unconfined space is defined in Figure 6. These spaces may have adequate air by infiltration to provide air for combustion and ventilation. Buildings with tight construction (for example, weather stripping, heavily insulated, caulked, vapor barrier, etc.), may need additional air to be provided as described for confined space. See Table 2 for minimum area.

TABLE 2

MINIMUM AREA IN SQUARE FEET FOR UNCONFINED SPACE INSTALLATIONS	
FURNACE MAXIMUM BTUH INPUT RATING	WITH 8 FT. CEILING MINIMUM AREA IN SQUARE FEET OF UNCONFINED SPACE
60,000	375
80,000	500
100,000	625
120,000	875





Confined spaces are installations with less than 50 cu. ft. of space per 1000 BTU/hr input from all equipment installed. Air for combustion and ventilation requirements can be supplied from inside the building as in Figure 8 or from the outdoors, as in Figure 9.

1. All air from inside the building as in Figure 8: The confined space shall be provided with two permanent openings communicating directly with an additional room(s) of sufficient volume so that the combined volume of all spaces meets the criteria for an unconfined space. The total input of all gas utilization equipment installed in the combined space shall be considered in making this determination. Refer to Table 3 for minimum open areas requirements.
2. All air from outdoors as in Figure 9: The confined space shall be provided with two permanent openings, one commencing within 12 inches of the top and one commencing within 12 inches of the bottom of the enclosure. The openings shall communicate directly, or by ducts, with the outdoors or spaces (crawl or attic) that freely communicate with the outdoors. Refer to Table 3, for minimum open areas requirements.

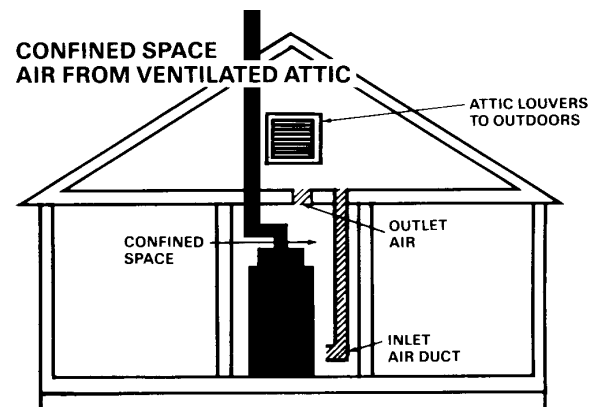
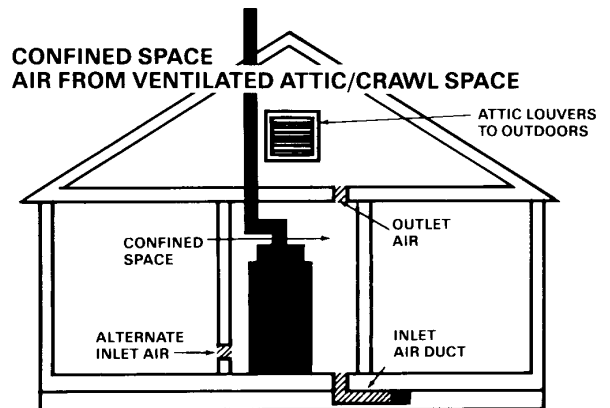
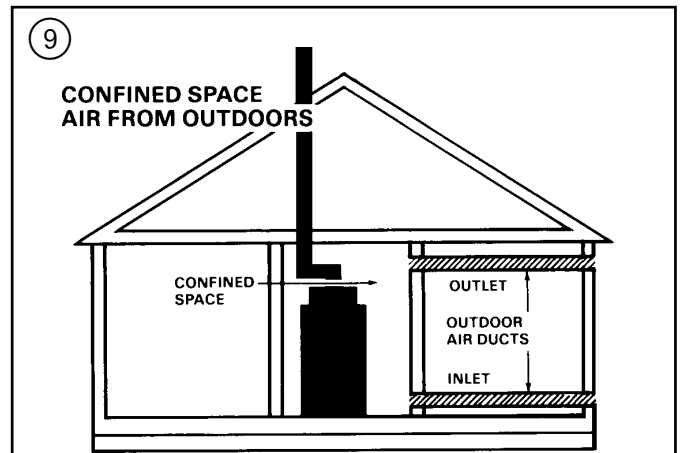
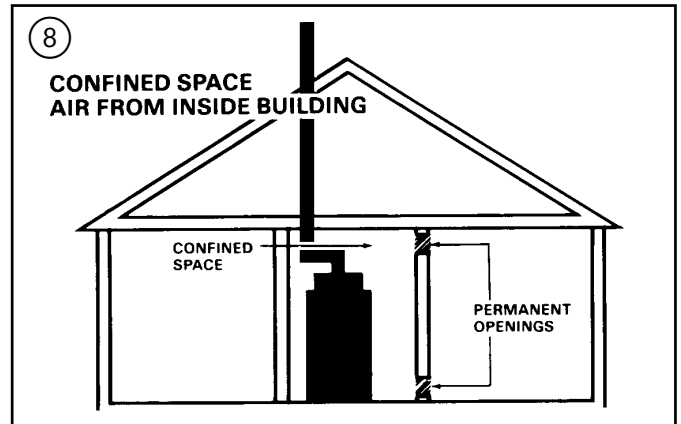
TABLE 3
MINIMUM FREE AREA IN SQUARE INCHES
EACH OPENING (FURNACE ONLY)

Furnace Maximum BTUH/INPUT Rating	Air From Inside	Air From Outside	
		Vertical Duct	Horizontal Duct
60,000	100	15	30
80,000	100	20	40
100,000	100	25	50
120,000	120	30	60

DUCT CONNECTIONS

Air duct systems should be installed in accordance with standards for air conditioning systems, National Fire Protection Association Pamphlet No. 90. They should be sized in accordance with ACCA Manual D or whichever is applicable.

Central furnaces, when used in connection with cooling units, shall be installed in parallel or on the upstream side of the cooling coil to avoid condensation in the heat exchanger.



Installer's Guide

With a parallel flow arrangement, the dampers or other means used to control flow of air shall be adequate to prevent chilled air from entering the Furnace, and if manually operated, must be equipped with means to prevent operation of either unit unless the damper is in full heat or cool position.

On any job, flexible connections of nonflammable material may be used for return air and discharge connections to prevent transmission of vibration. Though these units have been specifically designed for quiet, vibration free operation, air ducts can act as sounding boards and could, if poorly installed, amplify the slightest vibration to the annoyance level.

When the furnace is located in a utility room adjacent to the living area, the system should be carefully designed with returns to minimize noise transmission through the return air grille. Although these furnaces are designed with large blowers operating at moderate speeds, any blower moving a high volume of air will produce audible noise which could be objectionable when the unit is located very close to a living area. It is often advisable to route the return air ducts under the floor or through the attic. Such design permits the installation of air return remote from the living area (i.e. central hall).

When the furnace is installed so that the supply ducts carry air circulated by the furnace to areas outside the space containing the furnace, the return air shall also be handled by a duct(s) sealed to the furnace and terminating outside the space containing the furnace.

RETURN AIR DUCT SYSTEMS

⚠ CAUTION

Safety Hazard

Sharp Edge Hazard

Be careful of sharp edges on equipment or any cuts made on sheet metal while installing or servicing. Personal injury may result.

Where there is no complete return duct system, the return connection must be run full size from the furnace to a location outside the utility room, basement, attic, or crawl space.

Do NOT install return air through the back of the furnace cabinet.

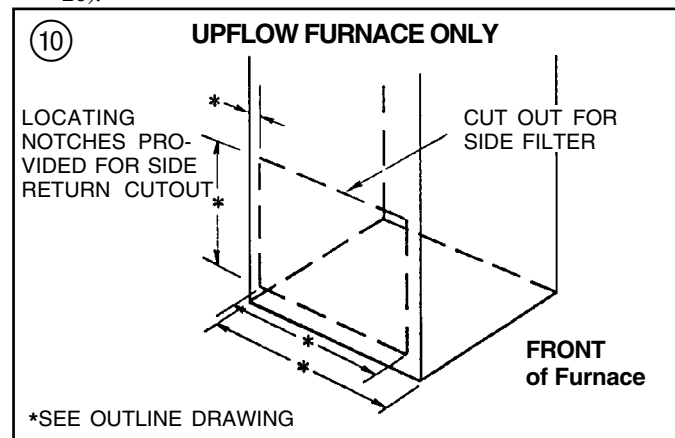
Do NOT install return air through the side of the furnace cabinet on horizontal applications.

NOTE:

Minimum return air temperature is 55°F.

All return air duct systems should provide for installation of return air filters.

1. Set the furnace in place.
2. For upflow side return installations, remove the insulation around the opening in the Blower compartment.
3. The side panels of the upflow furnace include locating notches that are used as guides for cutting an opening for return air, refer to Figure 10 and the outline drawing on page 4 for duct connection dimensions for various furnaces.
4. If a 3/4" flange is to be used for attaching the air inlet duct, add to cut where indicated by dotted lines in Figure 10. Cut corners diagonally and bend outward to form flange.
5. If flanges are not required, and a filter frame is installed, cut between locating notches (See Figure 10).



6. The bottom panel of the upflow furnace must be removed for bottom return air. Remove the filter and lay the Furnace on its back. Remove the two 1/4" hex screws securing the bottom front channel to the cabinet. Lower the front edge of the bottom front channel and pull forward to remove the channel. The bottom return air panel will now easily slide out of the cabinet. Reinstall the bottom front channel and filter for upflow bottom return installations.
7. The filter retainer is factory supplied for upflow bottom return. Use the filter retainer on side or bottom if filter is to be used within the Furnace cabinet on upflow only installations.
8. ***The horizontal installation of the upflow Furnace requires an external filter section. Do NOT use the bottom return filter within the Furnace. Filter kits are available for horizontal applications.***
9. Connect duct work to furnace. See Outline Drawing for supply and return duct size and location. Flexible duct connectors are recommended to connect both supply and return air ducts to the furnace. If only the front of the furnace is accessible, it is recommended that both supply and return air plenums are removable.

RETURN AIR FILTERS

TYPICAL UPFLOW RETURN AIR FILTER INSTALLATIONS

Filters are factory supplied for these furnaces. These furnaces require high velocity type air filters. The filters may be located within the furnace blower compartment for UPFLOW furnaces in either a BOTTOM or SIDE (left side or right side) return air inlet. Some filters may need to be trimmed for side or bottom filter use.

TABLE 4

MODELS NUMBERS	CABINET WIDTH	FILTER QTY & SIZE
*UH3B060ACV3VA *UH3B080ACV3VA	17-1/2"	1 - 17" X 25" X 1"
*UH3C100ACV4VA	21"	1 - 20" X 25" X 1"
*UH3D120ACV5VA	24-1/2"	1 - 24" X 25" X 1"
* First letter may be "A" or "T"		

NOTE:

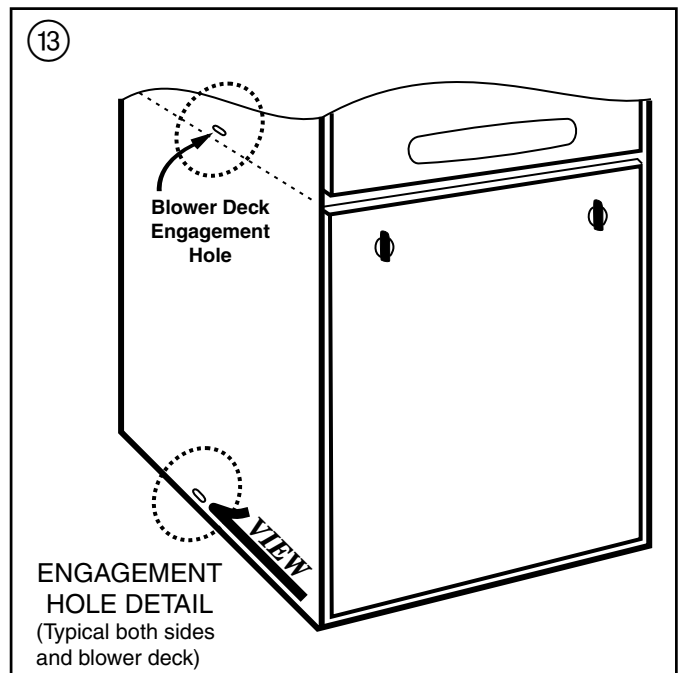
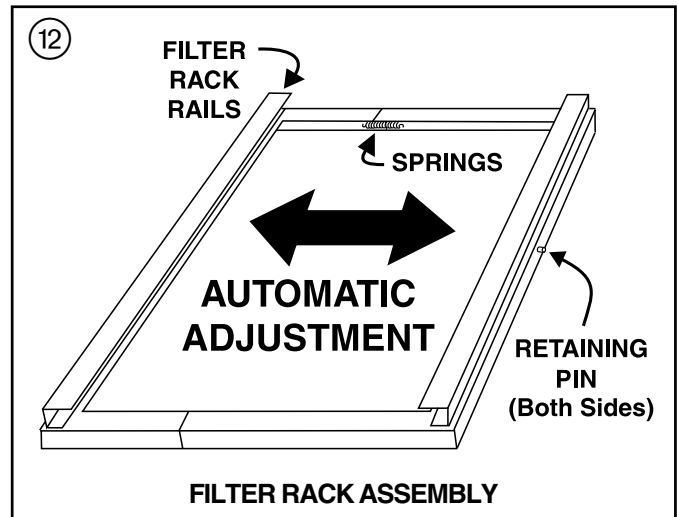
On upflow 5 ton airflow models, if the airflow requirement exceeds 1800 CFM, these models will require return air openings and filters on both sides; OR 1 side and the bottom; OR just the bottom.

The upflow furnace blower door has a hinge at the bottom which allows the door to tilt forward for filter replacement without the door being removed (See Figure 11). The furnace filter in the bottom or side configuration can be removed by simply turning the two latches on the blower door and tilting the door forward.

The Filter rails are spring loaded for automatic adjustment to allow standard size, locally obtainable replacement filters. The filter rack itself slides to adjust to the required width needed for bottom or side return (See Figure 12).



BLOWER DOOR HINGE AND BOTTOM FILTER RACK INSTALLATION



BOTTOM FILTER RACK INSTALLATION

With the filter removed, the filter rack is compressed and then inserted into the bottom of the furnace. The retaining screw/ pin on each side inserts into engagement holes at the bottom of the furnace cabinet side.

FILTER RACK INSTALLATION FOR SIDE RETURN AIR ON UPFLOW FURNACES (LEFT OR RIGHT)

NOTE:

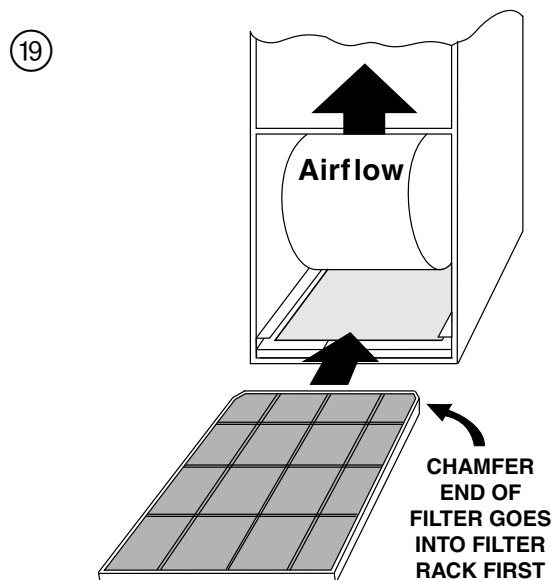
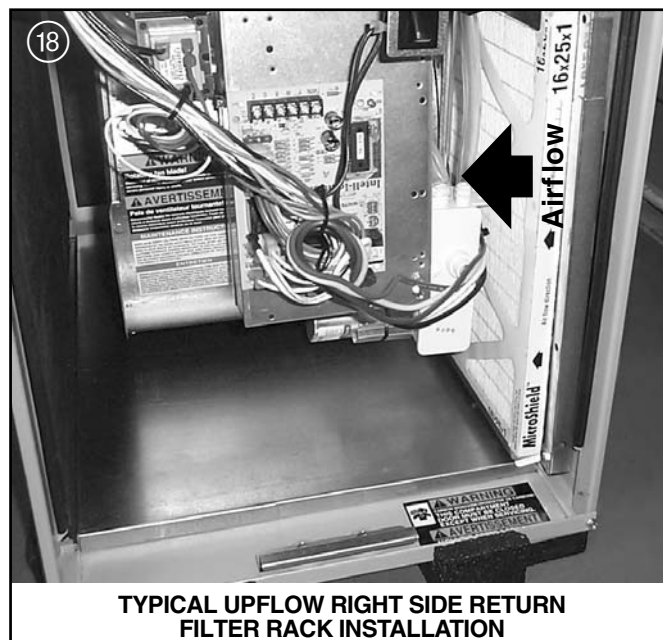
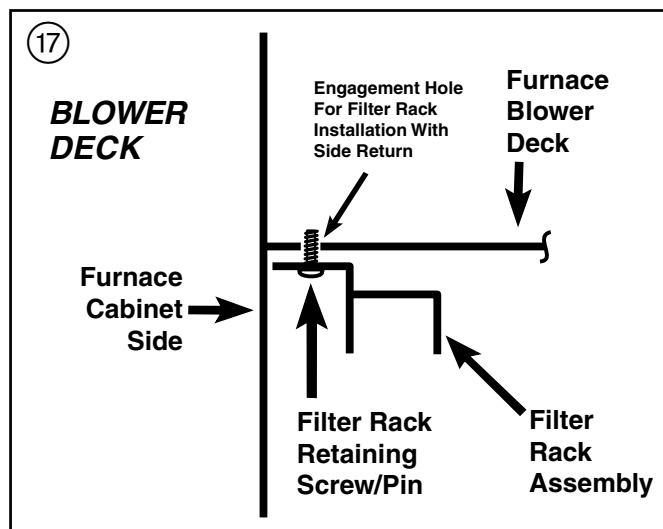
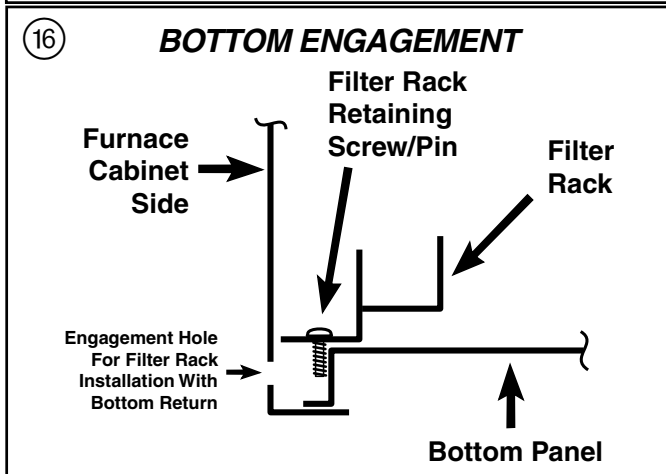
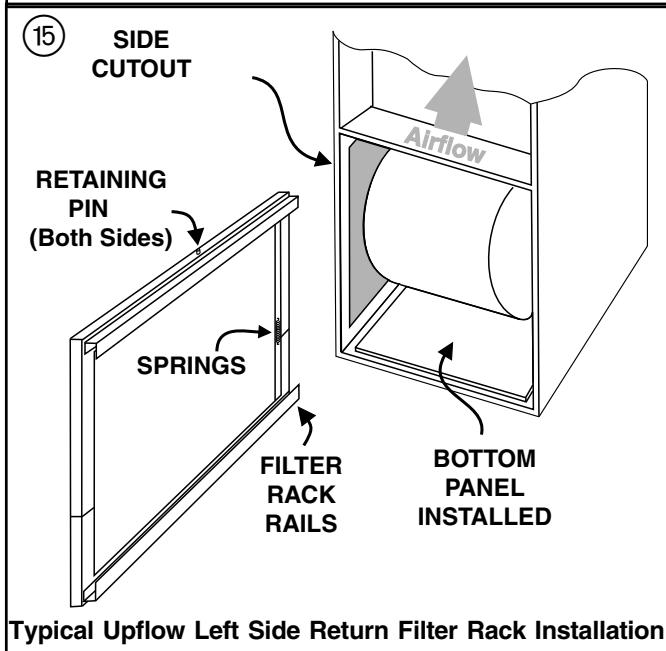
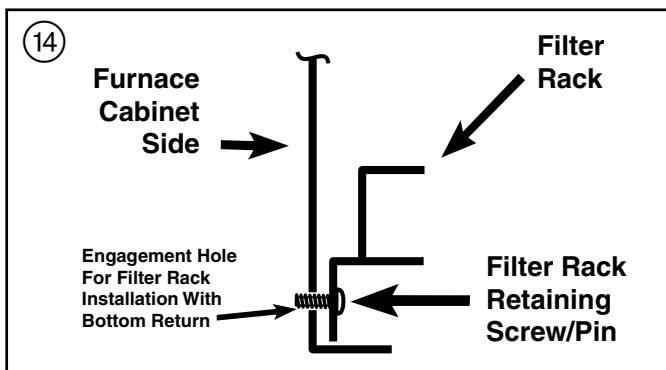
*The filter rack installation is not allowed for right side return on the following models: *UH3B060ACV3V, *UH3B080ACV3V & *UH3C100ACV4V. See Figure 22 for alternate upflow filter clip/ bracket installation.*

If side air return is desired, it is necessary to move the filter rack from the bottom of the furnace and reinstall it on the side. The following instructions should be used:

- a. Open or remove the blower door.

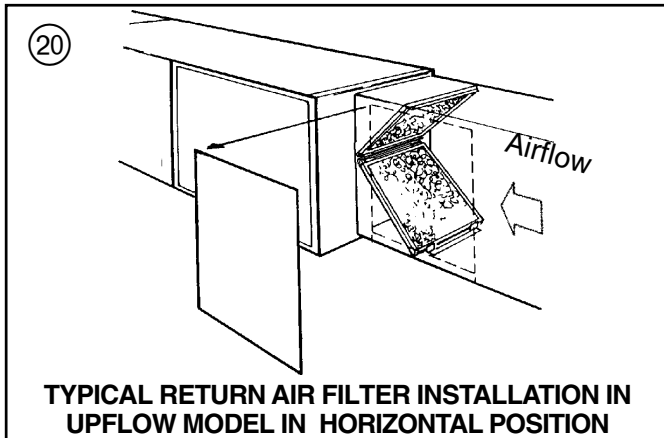
Installer's Guide

- b. Remove the filter.
- c. Compress the filter rack to disengage the retaining pins/ screws from the furnace sides and slide the filter rack out.
- d. Leave the bottom panel in place.
- e. After the side cutout is made following the directions in the "Return Air Duct Connections" section on pages 10 and 11, compress the filter rack and reinstall in the side of the furnace. Confirm that the



upper retaining pin/screw locks into the engagement hole in the blower deck and the lower pin/screw rests against the side of the bottom panel. See Figures 14-19.

- f. Reinstall the furnace filter on the side inserting the chamfer end first.



MODEL NUMBERS	CABINET WIDTH	CONVERSION KIT NUMBER
*UH3B060ACV3VA *UH3B080ACV3VA	17-1/2"	BAYFLTR203
*UH3C100ACV4VA	21"	BAYFLTR204
*UH3D120ACV5VA	24-1/2"	BAYFLTR205

1. *First letter may be "A" or "T"
2. Kit includes Filters and Brackets necessary for Horizontal Filters.
3. Optional Door Kit BAYFLTR206 is also available.

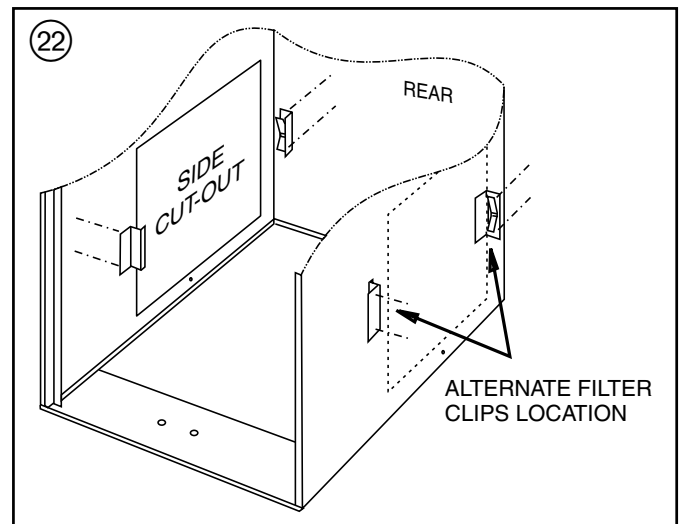
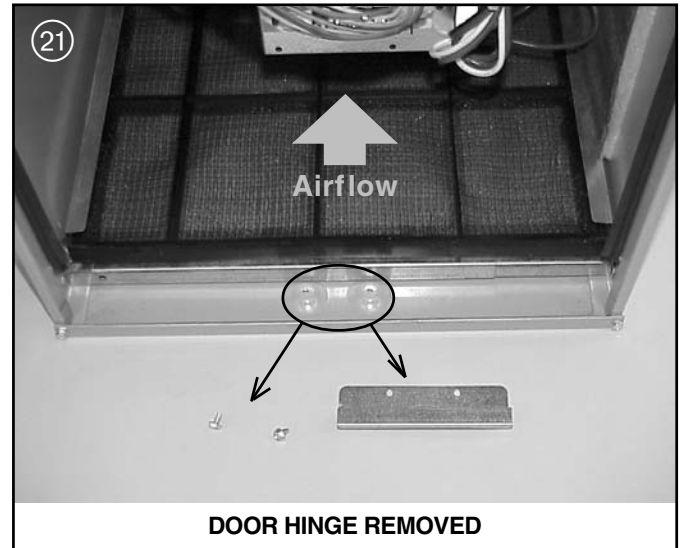
RETURN AIR FILTERS FOR UPFLOW FURNACE IN HORIZONTAL CONFIGURATION

When the upflow furnace is installed in the horizontal configuration, the return air filters must be installed exterior to the cabinet. Remote filter grilles may be used for homeowner convenience or the filters may be installed in the duct work upstream of the furnace. See Figure 20. Conversion kits for horizontal filter installation are shown in Table 4A.

Conversion kits for horizontal filters are BAYFLTR203 for 17 1/2" width cabinets, BAYFLTR204 for 21" width cabinets, and BAYFLTR205 for 24" width cabinets. These include filters and brackets necessary for horizontal filters. In addition, optional door kit BAYFLTR206 is also available.

BLOWER DOOR/ HINGE REMOVAL

If the door cannot be fully tilted forward for filter access, the blower door hinge may be removed without creating any problems with the seal of the furnace. To remove the blower door, tilt the door forward 2 to 3 inches and pull up. To remove the tilt feature, simply remove the lower hinge as shown in Figure 21. The bottom of the blower door will catch in the bottom of the furnace front channel for door replacement.



Installer's Guide

ALTERNATE UPFLOW FILTER CLIP/ BRACKET INSTALLATION

1. Determine the location to be used. The furnace cabinet has dimples for location of the alternate furnace clips (*Side return only*). Pre-drill clearance holes with a 3/16" drill. Bottom return holes are pre-drilled.
2. Install the clips in front and rear of the desired location using the screws provided. The filter clip with the leaf spring mounts in the rear of the cabinet.

INSTALLING THE FILTER

The filter may need to be cut to fit the unit depending on the location of the return air filter.

A score line and the words "CUT HERE" are located on the end of the filter. If your application requires cutting the filter, do so as indicted by the score mark.

TABLE 5

UNIT SIZE	RETURN AIR	
	BOTTOM	SIDE
17-1/2"	DO NOT CUT	DO NOT CUT
21"	DO NOT CUT	CUT ON LINE
24-1/2"	DO NOT CUT	CUT ON LINE

TYPICAL DOWNFLOW FURNACE RETURN AIR FILTER INSTALLATIONS

Two filters are factory supplied for each downflow furnace. These furnaces require high velocity type air filters. Downflow furnace filters must be located outside the furnace cabinet. Typical installations are shown in Figure 23. Tables 6 and 7 provide information for installation of the filter retaining brackets shipped with downflow furnaces.

TABLE 6

MODELS NUMBERS	CABINET WIDTH	FILTER QTY & SIZE
*DH3B060ACV3VA *DH3B080ACV3VA	17-1/2"	2 - 14" X 20" X 1"
*DH3C100ACV4VA	21"	2 - 16" X 20" X 1"
*DH3D120ACV5VA	24-1/2"	2 - 16" X 20" X 1"

*First letter may be "A" or "T"

TABLE 7

LOCATING FILTER RETAINER BRACKETS IN DUCTWORK

CABINET WIDTH	RETURN DUCT WIDTH	DIMENSION "A"	DIMENSION "B"	FILTER BRACKET LOCATION*
17-1/2"	16-1/4"	15"	14"	14-3/8"
21"	19-3/4"	19-1/2"	14"	13-1/8"
24-1/2"	23-1/4"	22"	14"	13-5/8"

* LOCATION DIMENSION IS FROM END OF DUCT AGAINST THE FURNACE TO THE SCREW HOLES FOR THE BRACKET.

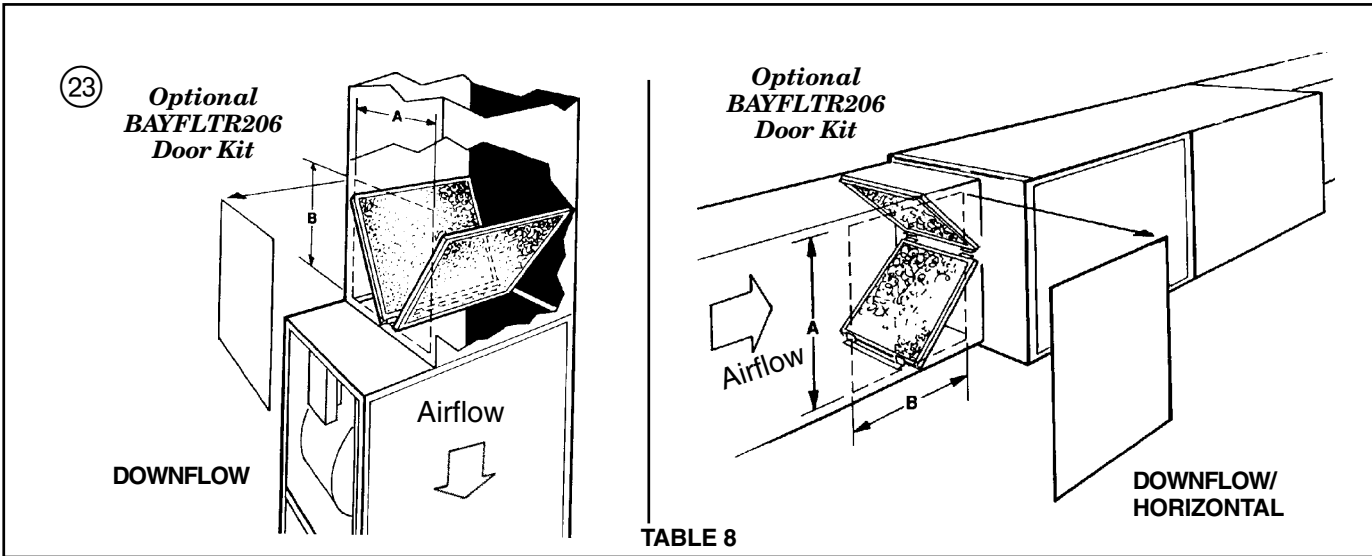


TABLE 8

MINIMUM CLEARANCE FROM COMBUSTIBLE MATERIALS FOR UPFLOW/HORIZONTAL AND DOWNFLOW/ HORIZONTAL FURNACES

FURNACE SURFACE	UNIT LOCATION		
	VERTICAL CLOSET	HORIZONTAL CLOSET	HORIZONTAL ALCOVE / ATTIC
SIDES	0"	1"	0"
BACK	0"	3"	6"
TOP	1"	1"	1"
FRONT	3"	3"	18"
VENT	0"	0"	0"

NOTE: CLEARANCE REQUIRED AT TOP OF PLENUM IS 1"

GENERAL VENTING INFORMATION

THIS FURNACE MUST BE VENTED TO THE OUTDOORS. THESE FURNACES ARE INDUCED DRAFT VENTED AND MUST **NOT** BE CONNECTED TO ANY VENT SERVING ANOTHER APPLIANCE. PLEASE NOTE THAT THESE FURNACES USE **POSITIVE-PRESSURE VENT SYSTEMS**.

WARNING

CARBON MONOXIDE HAZARD
FURNACE MUST BE VENTED PROPERLY.
FAILURE TO FOLLOW THIS WARNING COULD RESULT IN CARBON MONOXIDE, FIRE OR SMOKE THAT CAN CAUSE SERIOUS BODILY INJURY, DEATH OR PROPERTY DAMAGE.

Proper venting is essential to obtain maximum efficiency from a condensing furnace. Proper installation of the vent system is necessary to assure drainage of the condensate and prevent deterioration of the vent system.

American Gas Association has certified the design of condensing Furnaces for a minimum of 0" clearance from combustible materials with a single wall plastic vent pipe. See Table 8.

The recommended system is assembled from 2", 2-1/2", or 3" plastic pipe and fittings (See Table 9, page 18) for material specifications. Where the system is routed to the outdoors through an existing masonry chimney containing flue products from another gas appliance, or where required by local codes, then 3" venting of Type 29-4C stainless steel must be used in place of PVC material.

These furnaces have been classified as CATEGORY IV Furnaces in accordance with ANSI Z21.47 "latest edition" standards. Category IV Furnaces operate with positive vent pressure and with a vent gas temperature less than 140°F. above the dewpoint. These conditions require special venting systems, which must be gas tight and water tight.

NOTE:

When an existing furnace is removed from a venting system serving other gas appliances, the venting system is likely to be too large to properly vent the remaining attached appliances.

The following steps shall be followed with each appliance remaining connected to the common venting system placed in operation, while the other appliances remaining connected to the common venting system are not in operation.

1. Seal any unused openings in the common venting system.
2. Visually inspect the venting system for proper size and horizontal pitch and determine there is no

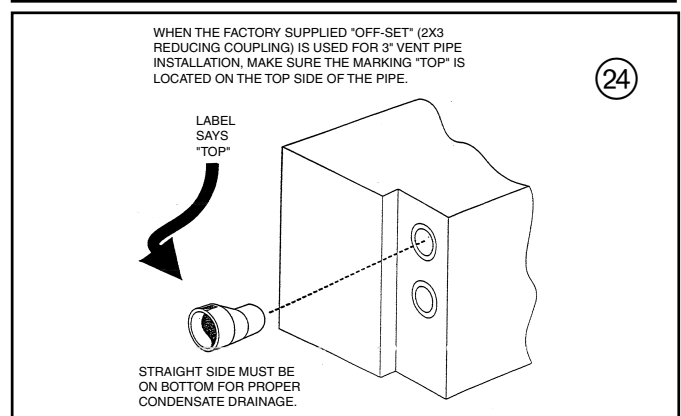
blockage or restriction, leakage, corrosion or other deficiencies which could cause an unsafe condition.

3. Insofar as is practical, close all building doors and windows and all doors between the space in which the appliances remaining connected to the common venting system are located and other spaces of the building.
Turn on clothes dryers and any appliances not connected to the common venting system. Turn on any exhaust fans, such as range hoods and bathroom exhausts, so they will operate at maximum speed. Do not operate a summer exhaust fan, close fireplace dampers.
4. Follow the lighting instructions. Place the appliance being inspected in operation. Adjust Comfort Control so appliance will operate continuously.
5. Test for spillage at the draft hood relief opening after 5 minutes of main burner operation. Use the flame of a match or candle, or smoke from a cigarette, cigar, or pipe.
6. After it has been determined that each appliance remaining connected to the common venting system properly vents when tested as outlined above, return door, windows, exhaust fans, fireplace dampers and any other gas-burning appliance to their previous conditions of use.

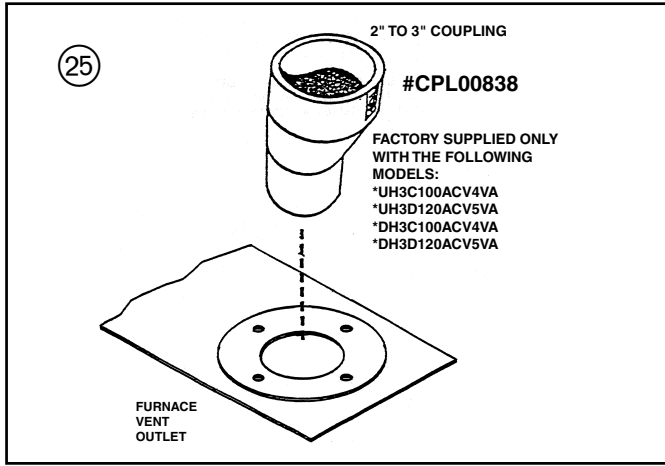
If improper venting is observed during any of the above tests, the remaining common venting system must be corrected. Correction could require rerouting or resizing the remaining vent system.

IMPORTANT:

Products installed in Canada must use vent systems that are certified to the Standard for Type BH Gas Venting Systems (ULC S636) for Class II-A venting systems (up to 65°C). Components of the vent system must not be interchanged with other vent systems or unlisted pipe or fittings. Plastic components, specified primers, and glues must be from a single system manufacturer and not intermixed with other system manufacturer's vent system parts. In addition, the first three feet of the vent pipe must be visible for inspection.



Installer's Guide



HORIZONTAL INSTALLATION (UPFLOW/ HORIZONTAL OR DOWNFLOW/ HORIZONTAL)

NOTE:
See Figure 25. In horizontal venting when the factory supplied “off-set” (2X3 reducing coupling) is used for 3” vent pipe installation, make sure the marking “Top” is located on the top side of the pipe. The straight side must be on bottom for proper condensate drainage. This coupling is factory supplied with the following models: *UH3C100, *UH3D120, *DH3C100 & *DH3D120.

⚠ WARNING

Carbon monoxide, fire or smoke can cause serious bodily injury, death, and/ or property damage.

A variety of potential sources of carbon monoxide can be found in a building or dwelling such as gas-fired clothes dryers, gas cooking stoves, water heaters, Furnaces and fireplaces. The U.S. Consumer Product Safety Commission recommends that users of gas-burning appliances install carbon monoxide detectors as well as fire and smoke detectors per the manufacturer’s installation instructions to help alert dwelling occupants of the presence of fire, smoke or unsafe levels of carbon monoxide. These devices should be listed by Underwriters Laboratories, Inc. *Standards for Single and Multiple Station Carbon Monoxide Alarms, UL 2034* or CSA International Standard, *Residential Carbon Monoxide Alarming Devices, CSA 6.19*

NOTE:
The manufacturer of your furnace does not test any detectors and makes no representations regarding any brand or type of detector.

IMPORTANT:
These furnaces may be installed as Direct Vent (sealed combustion) or as Nondirect Vent (single pipe). The furnaces are shipped **DIRECT VENT** with sealed combustion.
For DIRECT VENT APPLICATION:
The furnaces must be vented to the exterior of the house and combustion air **MUST** come through the inlet air pipe **FROM OUTSIDE AIR**. The pipes **DO NOT** have to exit the exterior of the house together or on the same side of the house.

For NONDIRECT VENT APPLICATION:
The furnace shall be vented to the exterior of the house, but combustion air may enter from the surrounding area as long as combustion air requirements are met. (See **AIR FOR COMBUSTION AND VENTILATION**)

FURNACE VENT/ INLET PIPE INSTALLATION

⚠ WARNING

CARBON MONOXIDE POISONING HAZARD
Failure to follow the installation instructions for the venting system being placed into operation could result in carbon monoxide poisoning or death.

There are many different variations of the vent/ inlet air pipe combination. The vent/ inlet air combination used for installation of these furnaces depends on the needs of the location. However, these guidelines must be followed:

1. The Furnace must vent outside the structure.
2. Furnace combustion air requirements must be met for nondirect, single pipe applications (See example 2).
3. For direct vent application of these furnaces, the vent pipe and air inlet pipe do not have to exit in the same air space or even on the same surface of the structure.

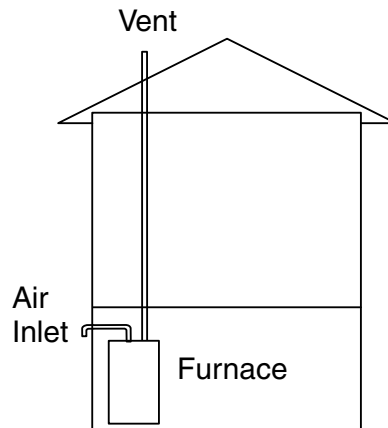
However, the longest individual pipe will decide the value for the longest allowable equivalent vent/ inlet air length as shown in the vent length table.

NOTE:
BAYVENT200B accessories can be used for inlet and outlet terminals when the pipes do not exit the structure together.

The following are **EXAMPLES ONLY:**

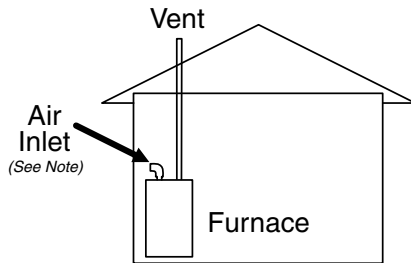
EX. 1 —

Example 1 shows that the vent may go vertical while the inlet air may be on any side of the structure. The Vent Pipe would decide the maximum equivalent length for the pipe depending on the furnace and pipe size.



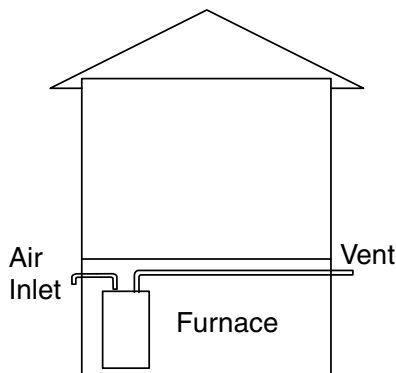
EX. 2 —

Example 2 shows the vent pipe exhausting through the roof and the inlet air coming from the interior of the house (See Note). The inlet air coming from the interior of the house must meet combustion requirements for area, etc., as shown in the section AIR FOR COMBUSTION AND VENTILATION in this Installer's Guide.



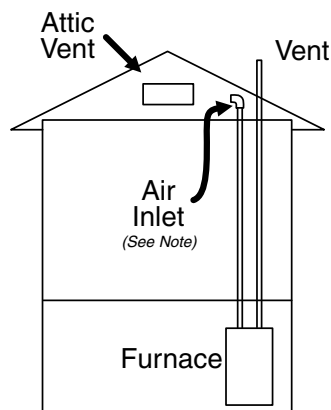
EX. 3 —

Example 3 shows the vent exiting one side of the house while the inlet air is on the opposite side of the structure. Here the Vent Pipe length must be within the allowable length for the size of Furnace and size of the Vent Pipe. This example demonstrates that the pipes do not have to exit on the same side of the structure.



EX. 4 —

The inlet air does not have to come from outside the structure. Example 4 shows the inlet air (See Note), may come from the attic if the requirements for combustion air are met as shown in the section AIR FOR COMBUSTION AND VENTILATION.



NOTE:

If only the flue gas pipe is to the outside of the structure, a straight section of pipe (long enough to exit the Furnace cabinet) must be attached to the inlet air side with an elbow (which is 5 to 10 equivalent feet) installed on the end to prevent dust and debris from falling directly into the Furnace.

VENT FITTING MATERIAL – PLASTIC

Gas and liquid tight single wall vent fittings, designed for resistance to corrosive flue condensate, MUST be used throughout.

Listed in Table 9 are materials that meet these requirements. The materials listed are various grades of PVC and ABS plastic.

PIPE JOINTS: All joints must be fastened and sealed to prevent escape of combustion products into the building. These materials are acceptable for U.S. applications only. All Canadian installations must conform to ULC S636.

NOTE:

It is recommended that the first joints from the furnace be connected and sealed with high temperature RTV. This will enable the pipes to be removed later without cutting. Be sure to properly support these joints.

BONDING OF PVC

Commercially available solvent cement for PVC must be used to join PVC pipe fittings. Follow instructions on container carefully for U.S. applications only. Canadian applications require primer and cement that are from a single system manufacturer.

For U.S. applications only:

Pipe and Fittings – ASTM D1785, D2466, D2661, & D2665

PVC Primer and Solvent Cement – ASTM D2564.

Procedure for Cementing Joints Ref – ASTM D2855

1. Cut pipe square, remove ragged edges and burrs. Chamfer end of pipe, then clean fitting socket and pipe joint area of all dirt, grease, moisture or chips.
2. After checking pipe and socket for proper fit, wipe socket and pipe with cleaner-primer. Apply a liberal coat of primer to inside surface of socket and outside of pipe.

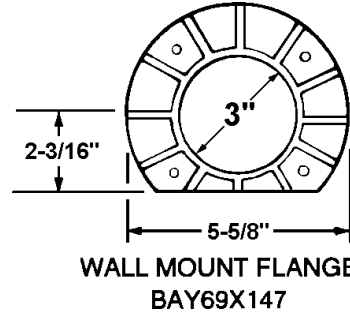
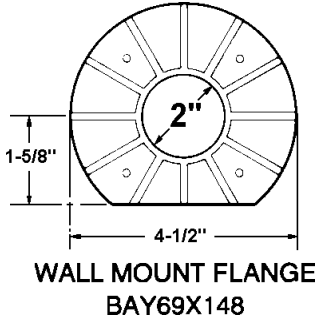
DO NOT ALLOW PRIMER TO DRY BEFORE APPLYING CEMENT.

3. Apply a thin coat of cement evenly in the socket. Quickly apply a heavy coat of cement to the pipe end and insert pipe into fitting with a slight twisting movement until it bottoms out.
4. Hold the pipe in the fitting for 30 seconds to prevent tapered socket from pushing the pipe out of the fitting.

Installer's Guide

TABLE 9

PVC VENT FITTING MATERIAL These fittings are available from your Gas Furnace Distributors for U.S. applications only.



PLASTIC PIPE DESIGNATIONS

PVC

ASTM STANDARD	PIPE TYPE	ALLOWABLE TEMPERATURE	MARKING
F891	CELLULAR CORE	*158	ASTM F891
D2665	DWV PIPE	**158	ASTM D2665
D1785	SCH 40, 80, 120	**158	ASTM D1785
D2241	SDR SERIES	**158	ASTM D2241

CPVC

ASTM STANDARD	PIPE TYPE	ALLOWABLE TEMPERATURE	MARKING
D2846	CPVC 41	**212	ASTM D2846
F441	SCH 40, 80	**212	ASTM F441
F442	SDR SERIES	**212	ASTM F442

ABS

ASTM STANDARD	PIPE TYPE	ALLOWABLE TEMPERATURE	MARKING
D2661	SCH 40 DWV	***180	ASTM D2661
F628	SCH 40 DWV CELLULAR CORE	***180	ASTM F628

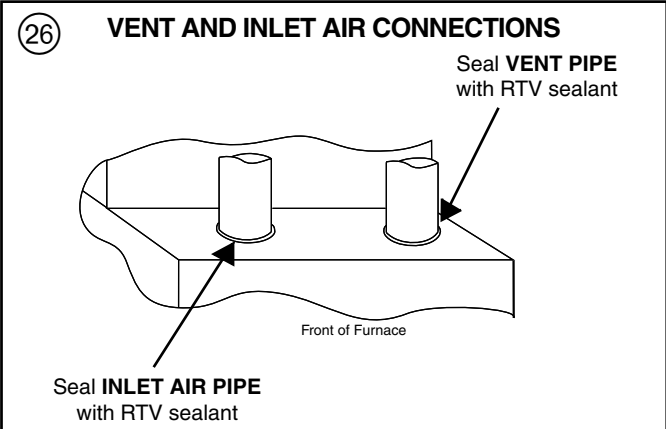
* - Allowable temperatures based on classifications covered in ASTM D4396 [Deflection Temps Under Load (264 PSI)]
 ** - Allowable temperatures based on classifications covered in ASTM D1784 [Deflection Temps Under Load (264 PSI)]
 *** - Allowable temperatures based on classifications covered in ASTM D3965 [Deflection Temps Under Load (264 PSI)]

- Wipe all excess cement from the joint with a rag. Allow 15 minutes before handling. Cure time varies according to fit, temperature and humidity.

NOTE:
 Follow venting instructions carefully when using PVC cement.

IMPORTANT:
 All joints must be water tight. Flue condensate is somewhat acidic, and leaks can cause equipment damage.

IMPORTANT:
 Products installed in Canada must use vent systems that are certified to the Standard for Type BH Gas Venting Systems (ULC S636) for Class II-A venting systems (up to 65 degrees C). Components of the vent system must not be interchanged with other vent systems or unlisted pipe or fittings. Plastic components, specified primers, and glues must be from a single system manufacturer and not intermixed with other system manufacturer's vent system parts.



Connection of the pipe and collar of the combustion air inlet should just be a friction fit. It is recommended that the inlet air joint be sealed with RTV type sealant to allow the joint to be separated for possible future service. The inlet and vent pipes must be properly supported throughout the entire length.

TABLE 10

VENT LENGTH TABLE							
ALTITUDE	MAXIMUM TOTAL EQUIVALENT LENGTH IN FEET FOR VENT AND INLET AIR (SEE NOTES)						
	2 INCH PIPE		2.5 INCH PIPE		3 or 4 INCH PIPE		
0-7000 Feet	NATURAL GAS	PROPANE	NATURAL GAS	PROPANE	NATURAL GAS	PROPANE	
	UH/DH3B060ACV3V	200	Not Allowed	200	Not Allowed	200	150
	UH/DH3B080ACV3V	50	Not Allowed	120	Not Allowed	200	150
	UH/DH3C100ACV4V	Not Allowed	Not Allowed	60	Not Allowed	200	150
	UH3D120ACV5V	Not Allowed	Not Allowed	Not Allowed	Not Allowed	200	150
	DH3D120ACV5V	Not Allowed	Not Allowed	Not Allowed	Not Allowed	200	100
	7000-9500 Feet	2 INCH PIPE		2.5 INCH PIPE		3 or 4 INCH PIPE	
7000-9500 Feet	NATURAL GAS	PROPANE	NATURAL GAS	PROPANE	NATURAL GAS	PROPANE	
	UH/DH3B060ACV3V	100	Not Allowed	100	Not Allowed	100	100
	UH/DH3B080ACV3V	25	Not Allowed	60	Not Allowed	100	100
	UH/DH3C100ACV4V	Not Allowed	Not Allowed	30	Not Allowed	100	100
	UH3D120ACV5V	Not Allowed	Not Allowed	Not Allowed	Not Allowed	100	100
	DH3D120ACV5V	Not Allowed	Not Allowed	Not Allowed	Not Allowed	100	50
	9500-12000 Feet	2 INCH PIPE		2.5 INCH PIPE		3 or 4 INCH PIPE	
9500-12000 Feet	NATURAL GAS	PROPANE	NATURAL GAS	PROPANE	NATURAL GAS	PROPANE	
	UH/DH3B060ACV3V	50	Not Allowed	50	Not Allowed	50	38
	UH/DH3B080ACV3V	Not Allowed	Not Allowed	30	Not Allowed	50	38
	UH/DH3C100ACV4V	Not Allowed	Not Allowed	Not Allowed	Not Allowed	50	38
	UH3D120ACV5V	Not Allowed	Not Allowed	Not Allowed	Not Allowed	50	38
	DH3D120ACV5V	Not Allowed	Not Allowed	Not Allowed	Not Allowed	50	25

Notes: * - First letter may be "A" or "T", ** - Last two digits may be "A" thru "Z"

1. Minimum vent length for all models: 3' horizontal or 3' vertical
2. DO NOT MIX PIPE DIAMETERS IN THE SAME LENGTH OF PIPE OUTSIDE THE FURNACE CABINET, (Except adapters at the top of the furnace). If different inlet and vent pipe sizes are used, the vent pipe must adhere to the maximum length limit shown in the table above (See note 6 below for exception). The inlet pipe can be of a larger diameter, but never smaller than the vent pipe.
3. MAXIMUM PIPE LENGTHS MUST NOT BE EXCEEDED! THE LENGTH SHOWN IS NOT A COMBINED TOTAL, IT IS THE MAXIMUM LENGTH OF EACH (Vent or Inlet air pipes).
4. One SHORT radius 90° elbow is equivalent to 10' of 3" pipe and one LONG radius elbow is equivalent to 6' of 3" pipe. One 90° elbow is equivalent to 7½' of 2½" pipe or 5' of 2" pipe. Two 45° elbows equal one 90° elbow.
5. The termination tee or bend must be included in the total number of elbows. If the BAYAIR30AVENTA termination kit is used, the equivalent length of pipe is 5 feet. BAYVENT200A equivalent length is 0 feet.
6. Pipe adapters are field supplied. Downflow models, UY/UH2/UH3 100, and UY/UH2/UH3 120 models include the 2" x 3" adapter.

Connection of the vent pipe to the vent collar should also be accomplished using RTV type sealant. This type sealant provides a connection which remains flexible and can be separated in the future if service needs require the removal of the Vent Pipe for service or clearance.

The vent length Table 10 above shows the required vent lengths for installations at various altitudes. An optional high altitude kit is available for installations above 5000 feet (Installations above 12,000 feet are not allowed).

For Canadian applications, use the appropriate tables in the latest edition of the National Fuel Gas Code (ANSI Z223.1 • CAN/CGA B149.1 Installation Codes or "Exhibit J" of ANSI Z21.47 • CAN/CGA-2.3 Standards. "Exhibit J" includes examples and drawings of typical venting systems.

Installer's Guide

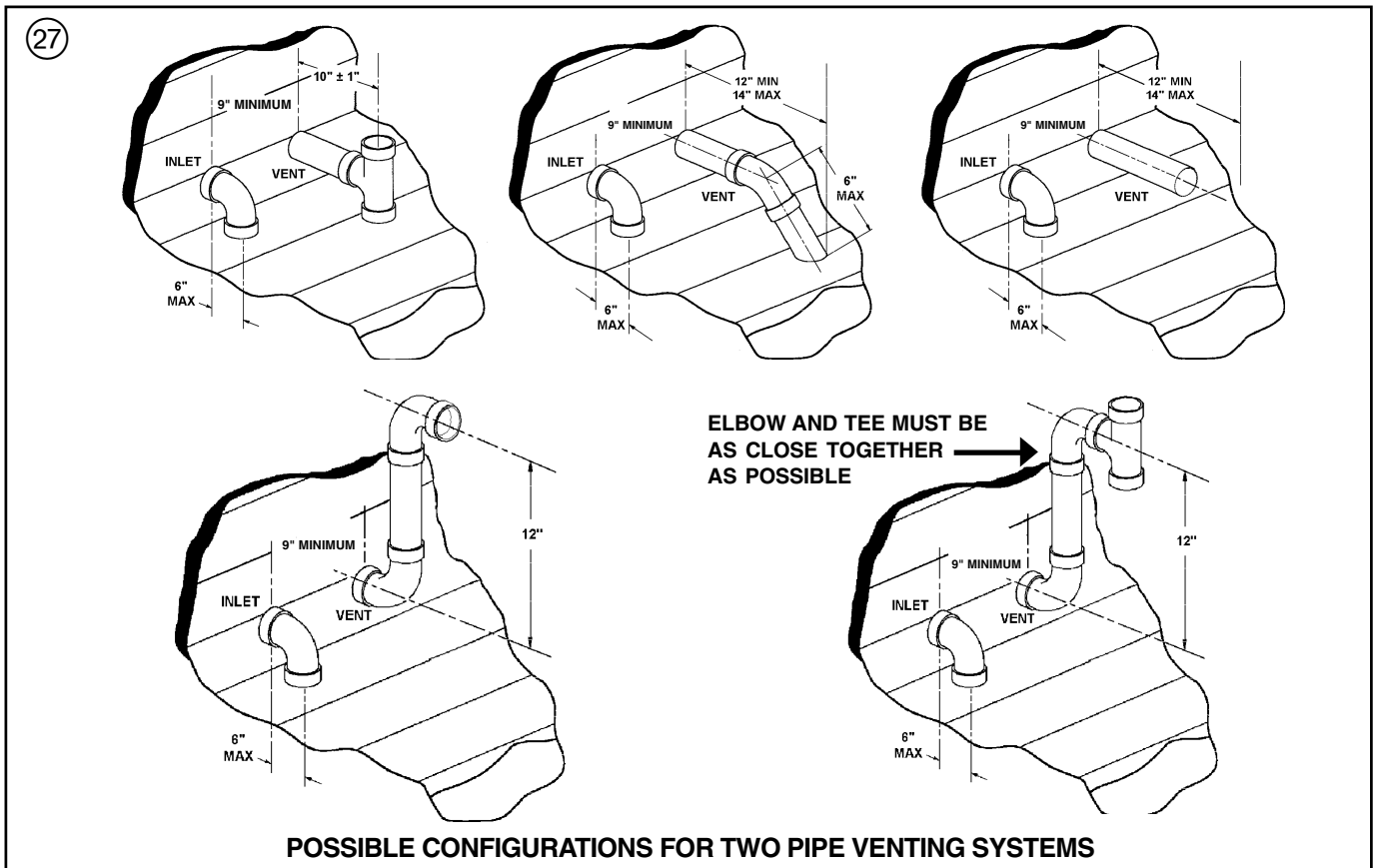
HORIZONTAL VENTING

NOTE:

Vent termination kit BAYAIR30AVENTA or BAYVENT200B may be used in addition to the horizontal and vertical termination options shown in Figure 27. See Figure 32.

⚠ CAUTION

When the vent pipe is exposed to temperatures below freezing, i.e., when it passes through unheated spaces, etc., the pipe must be insulated with 1/2 inch (22.7 mm) thick Armaflex-type insulation or equal. If the space is heated sufficiently to prevent freezing, then the insulation would not be required. If domestic water pipes are not protected from freezing then the space meets the condition of a heated space.



HORIZONTAL VENTING THROUGH WALL

These furnaces may be installed as direct vent (as shipped) or as non-direct vent. Installation must conform to national, state, and local codes.

The vent & inlet terminals must be located at least 12" minimum above normally expected snow accumulation level. See Figure 30.

Avoid areas where staining or condensate drippage may be a problem.

Location of the vent/ wind terminal should be chosen to meet the requirements of Figure 31 and Tables 11 and 12 for either direct or non-direct vent applications.

PITCH – Venting through the wall must maintain 1/4" per foot pitched upward to insure that condensate drains back to the Furnace.

FLUE GAS DEGRADATION – The moisture content of the flue gas may have a detrimental effect on some building materials. This can be avoided by using the roof or chimney venting option. When wall venting is used on any surface that can be affected by this moisture, it is recommended that a corrosion resistant shield (24 inches square) be used behind the Vent Terminal. This shield can be wood, plastic, sheet metal, etc. Also, silicone caulk all cracks, seams and joints within 3 feet of the Vent Terminal.

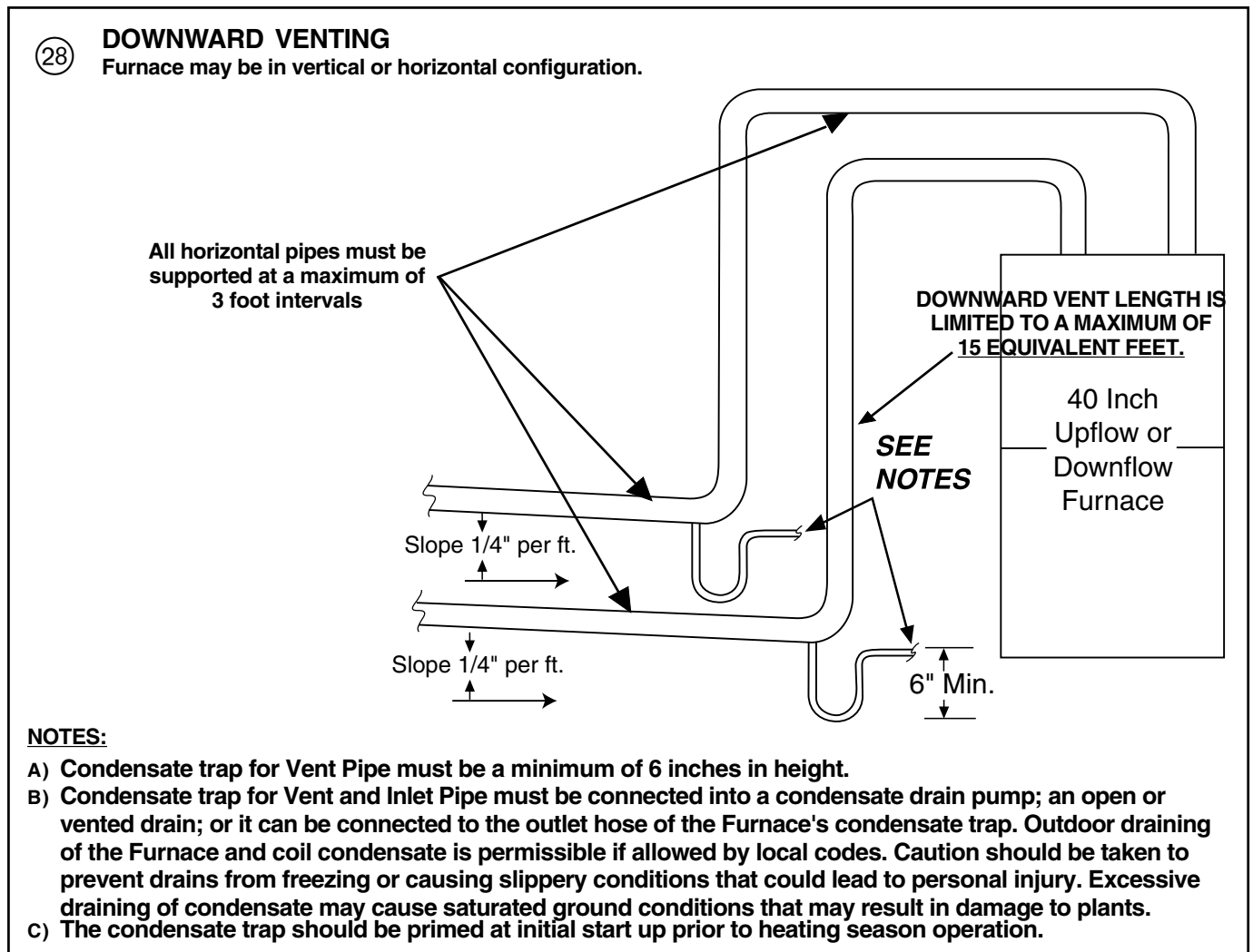
VENTING THROUGH THE ROOF

When penetrating roof with a 2" PVC Vent Pipe, a 2" electrical conduit flashing may be used for a weather tight seal. Lubricate flexible seal on flashing before PVC pipe is pushed through the seal. (Field Supplied)

NOTE:

No Vent Cap as shown in Figure 36 is the preferred method for vertical Vent Termination in extremely cold climates.

In extreme climate conditions, insulate the exposed pipe above the roof line with Armaflex type insulation.



Installer's Guide

IMPORTANT:

The Commonwealth of Massachusetts requires compliance with regulation 248 CMR 4.00 and 5.00 for installation of through – the – wall vented gas appliances as follows:

For all side wall horizontally vented gas fueled equipment installed in every dwelling, building or structure used in whole or in part for residential purposes, including those owned or operated by the Commonwealth and where the side wall exhaust vent termination is less than seven (7) feet above finished grade in the area of the venting, including but not limited to decks and porches, the following requirements shall be satisfied:

1. **INSTALLATION OF CARBON MONOXIDE DETECTORS.** At the time of installation of the side wall horizontal vented gas fueled equipment, the installing plumber or gasfitter shall observe that a hard wired carbon monoxide detector with an alarm and battery back-up is installed on the floor level where the gas equipment is to be installed. In addition, the installing plumber or gasfitter shall observe that a battery operated or hard wired carbon monoxide detector with an alarm is installed on each additional level of the dwelling, building or structure served by the side wall horizontal vented gas fueled equipment. It shall be the responsibility of the property owner to secure the services of qualified licensed professionals for the installation of hard wired carbon monoxide detectors

a. In the event that the side wall horizontally vented gas fueled equipment is installed in a crawl space or an attic, the hard wired carbon monoxide detector with alarm and battery back-up may be installed on the next adjacent floor level.

b. In the event that the requirements of this subdivision can not be met at the time of completion of installation, the owner shall have a period of thirty (30) days to comply with the above requirements; provided, however, that during said thirty (30) day period, a battery operated carbon monoxide detector with an alarm shall be installed.

2. **APPROVED CARBON MONOXIDE DETECTORS.** Each carbon monoxide detector as required in accordance with the above provisions shall comply with NFPA 720 and be ANSI/UL 2034 listed and IAS certified. The manufacturer of the furnace does not test any carbon monoxide detectors and makes no representation regarding any brand of carbon monoxide detector.

3. **SIGNAGE.** A metal or plastic identification plate shall be permanently mounted to the exterior of the building at a minimum height of eight (8) feet above grade directly in line with the exhaust vent terminal for the horizontally vented gas fueled heating appliance or equipment. The sign shall read, in print size no less than one-half (1/2) inch in size, "GAS VENT DIRECTLY BELOW. KEEP CLEAR OF ALL OBSTRUCTIONS".

4. **INSPECTION.** The state or local gas inspector of the side wall horizontally vented gas fueled equipment shall not approve the installation unless, upon inspection, the inspector observes carbon monoxide detectors and signage installed in accordance with the provisions of 248 CMR 5.08(2)(a)1 through 4.

This appliance requires a special venting system. If BAYAIR30AVENTA or BAYVENT200B are used, a copy of the installation instructions for the kit shall remain with the appliance or equipment at the completion of installation. The venting system installation instructions can be obtained from the manufacturer by writing to the following address:

American Standard, Inc.
6200 Troup Highway
Tyler, TX 75707
Attention: Manager of Field Operations Excellence

Installer's Guide

		Canadian Installations	US Installations
A=	Clearance above grade, veranda, porch, deck, or balcony	12 inches (30 cm)	12 inches (30 cm)
B=	Clearance to window or door that may be opened	6 inches (15 cm) for appliances \leq 10,000 Btuh (3 kw), 12 inches (30 cm) for appliances $>$ 10,000 Btuh (3 kw) and \leq 100,000 Btuh (30 kw), 36 inches (91 cm) for appliances $>$ 100,000 Btuh (30 kw)	4 feet (1.2m) below or to the side of opening; 1 foot (0.3m) above opening.
C=	Clearance to permanently closed window	*	*
D=	Vertical clearance to ventilated soffit located above the terminal within a horizontal distance of 2 feet (61 cm) from the center line of the terminal	*	*
E=	Clearance to unventilated soffit	*	*
F=	Clearance to outside corner	*	*
G=	Clearance to inside corner	*	*
H=	Clearance to each side of center line extended above meter/regulator assembly	3 feet (91 cm) with a height 15 feet (4.5 m) above the meter/regulator assembly	*
I=	Clearance to service regulator vent outlet	3 feet (91 cm)	*
J=	Clearance to nonmechanical air supply inlet to building or the combustion air inlet to any other appliance	6 inches (15 cm) for appliances \leq 10,000 Btuh (3 kw), 12 inches (30 cm) for appliances $>$ 10,000 Btuh (3 kw) and \leq 100,000 Btuh (30 kw), 36 inches (91 cm) for appliances $>$ 100,000 Btuh (30 kw)	4 feet (1.2 m) below or to side of opening; 1 foot (300 m) above opening
K=	Clearance to a mechanical air supply inlet	6 feet (1.83m)	3 feet (91 cm) above if within 10 feet (3m) horizontally
L=	Clearance above a paved sidewalk or paved driveway located on public property	7 feet (2.13 m) †	7 feet (2.13 m)
M=	Clearance under veranda, porch, deck, or balcony	12 inches (30 cm) ‡	*

Notes:

- In accordance with the current CSA B149.1 Natural Gas and Propane Installation Code.
- In accordance with the current ANSI Z223.1/NFPA 54 National Fuel Gas Code.

†. A vent shall not terminate directly above a sidewalk or paved driveway that is located between two single family dwelling and serves both dwellings.

‡. Permitted only if veranda, porch, deck, or balcony is fully open on a minimum of two sides beneath the floor.

* Clearance in accordance with local installation codes and the requirements of the gas supplier and the manufacturer's Installation Instructions.

		Canadian Installations	US Installations
A=	Clearance above grade, veranda, porch, deck, or balcony	12 inches (30 cm)	12 inches (30 cm)
B=	Clearance to window or door that may be opened	6 inches (15 cm) for appliances \leq 10,000 Btuh (3 kw), 12 inches (30 cm) for appliances $>$ 10,000 Btuh (3 kw) and \leq 100,000 Btuh (30 kw), 36 inches (91 cm) for appliances $>$ 100,000 Btuh (30 kw)	6 inches (15 cm) for appliances \leq 10,000 Btuh (3 kw), 9 inches (23 cm) for appliances $>$ 10,000 Btuh (3 kw) and \leq 50,000 Btuh (15 kw), 12 inches (30 cm) for appliances $>$ 50,000 Btuh (15 kw)
C=	Clearance to permanently closed window	*	*
D=	Vertical clearance to ventilated soffit located above the terminal within a horizontal distance of 2 feet (61 cm) from the center line of the terminal	*	*
E=	Clearance to unventilated soffit	*	*
F=	Clearance to outside corner	*	*
G=	Clearance to inside corner	*	*
H=	Clearance to each side of center line extended above meter/regulator assembly	3 feet (91 cm) with a height 15 feet (4.5 m) above the meter/regulator assembly	*
I=	Clearance to service regulator vent outlet	3 feet (91 cm)	*
J=	Clearance to nonmechanical air supply inlet to building or the combustion air inlet to any other appliance	6 inches (15 cm) for appliances \leq 10,000 Btuh (3 kw), 12 inches (30 cm) for appliances $>$ 10,000 Btuh (3 kw) and \leq 100,000 Btuh (30 kw), 36 inches (91 cm) for appliances $>$ 100,000 Btuh (30 kw)	6 inches (15 cm) for appliances \leq 10,000 Btuh (3 kw), 9 inches (23 cm) for appliances $>$ 10,000 Btuh (3 kw) and \leq 50,000 Btuh (15 kw), 12 inches (30 cm) for appliances $>$ 50,000 Btuh (15 kw)
K=	Clearance to a mechanical air supply inlet	6 feet (1.83m)	3 feet (91 cm) above if within 10 feet (3m) horizontally
L=	Clearance above a paved sidewalk or paved driveway located on public property	7 feet (2.13 m) †	*
M=	Clearance under veranda, porch, deck, or balcony	12 inches (30 cm) ‡	*

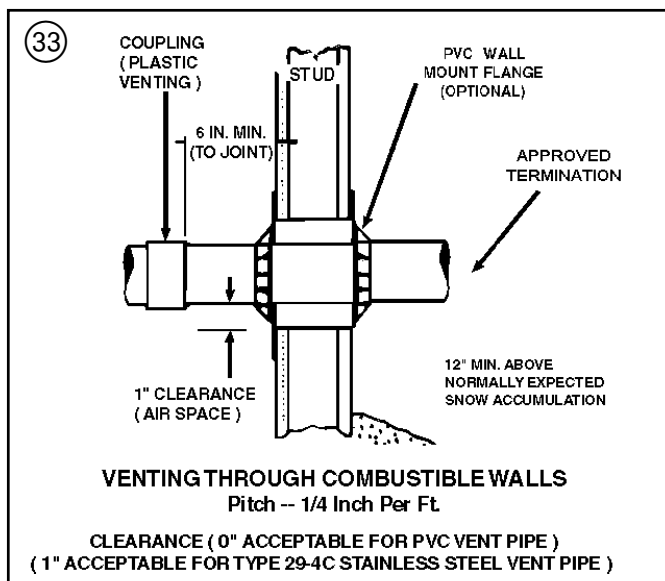
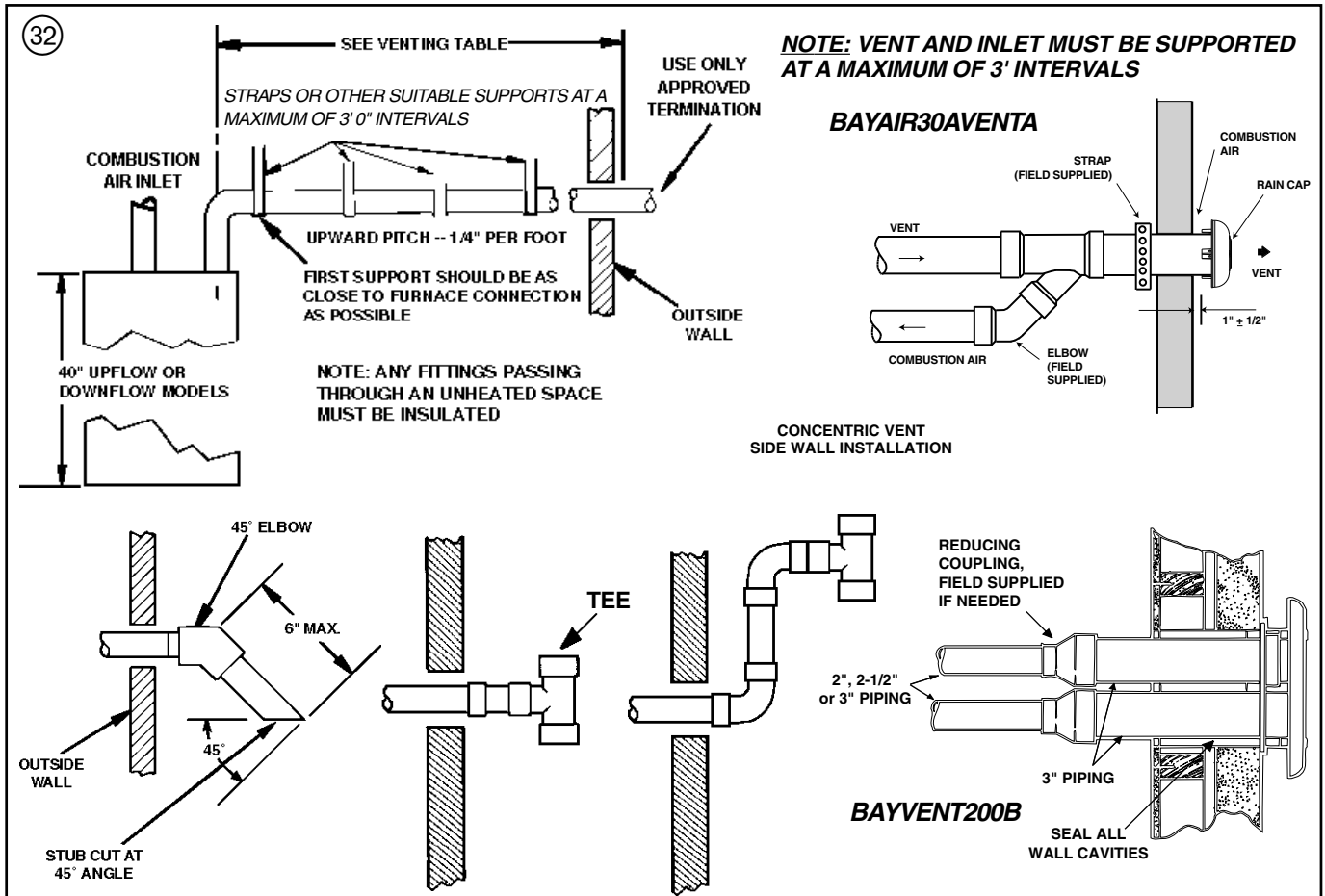
Notes:

- In accordance with the current CSA B149.1 Natural Gas and Propane Installation Code.
- In accordance with the current ANSI Z223.1/NFPA 54 National Fuel Gas Code.

†. A vent shall not terminate directly above a sidewalk or paved driveway that is located between two single family dwelling and serves both dwellings.

‡. Permitted only if veranda, porch, deck, or balcony is fully open on a minimum of two sides beneath the floor.

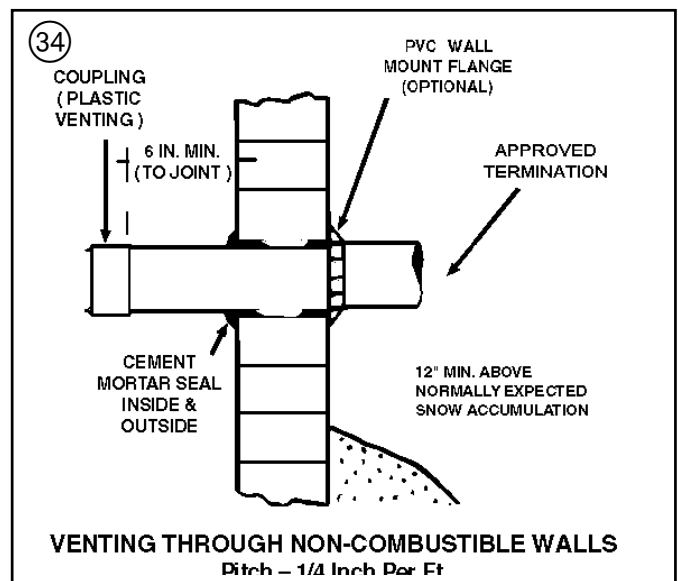
* Clearance in accordance with local installation codes and the requirements of the gas supplier and the manufacturer's Installation Instructions.



COMBUSTIBLE MATERIAL WALL

A minimum clearance of 1" to combustible materials must be maintained when using single wall stainless steel venting. See Figure 33.

Shield material to be a minimum of 24 gauge stainless or aluminized sheet metal. Minimum dimensions are 12"x12". Shield must be fastened to both inside and outside of wall. Use screws or anchor type fasteners suited to the outside or inside wall surfaces.



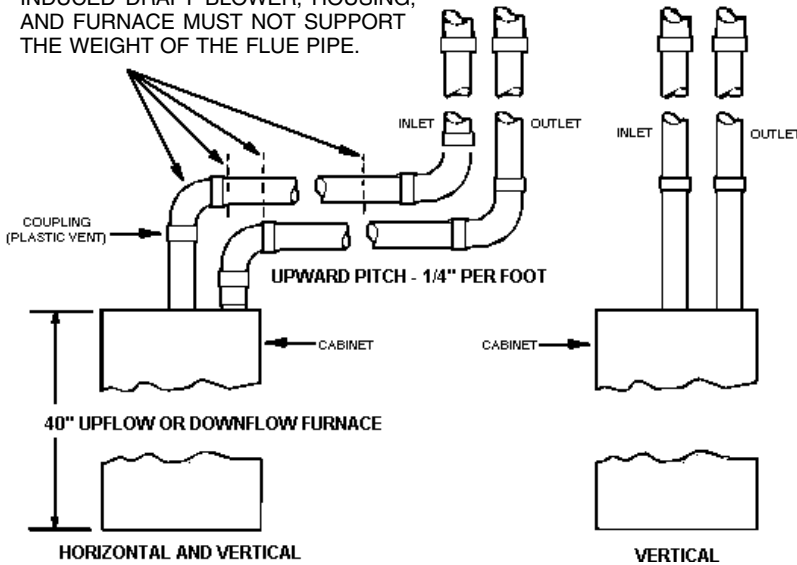
NONCOMBUSTIBLE MATERIAL WALL

The hole through the wall must be large enough to maintain pitch of vent and properly seal.

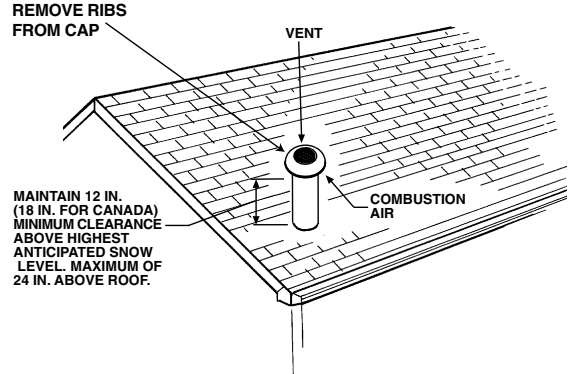
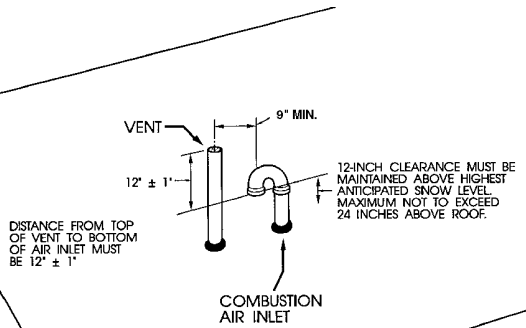
Use cement mortar seal on inside and outside of wall. See Figure 34.

Installer's Guide

35 SUPPORT HORIZONTAL PIPE EVERY 3' 0" WITH THE FIRST SUPPORT AS CLOSE TO THE FURNACE AS POSSIBLE. INDUCED DRAFT BLOWER, HOUSING, AND FURNACE MUST NOT SUPPORT THE WEIGHT OF THE FLUE PIPE.

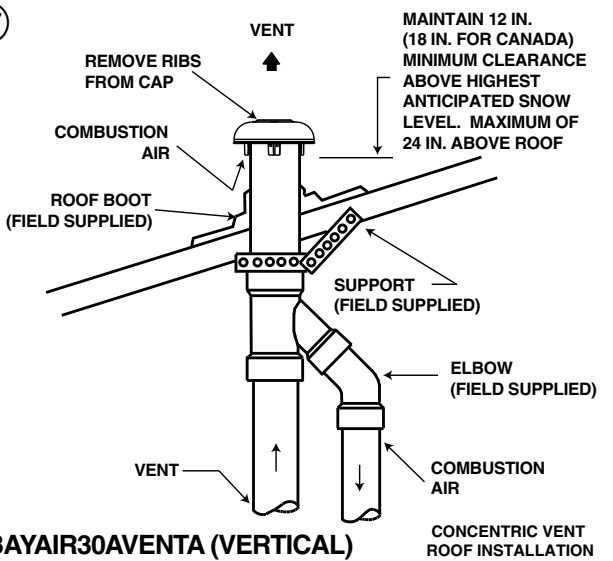


36



CONCENTRIC VENT ROOF TOP APPLICATION

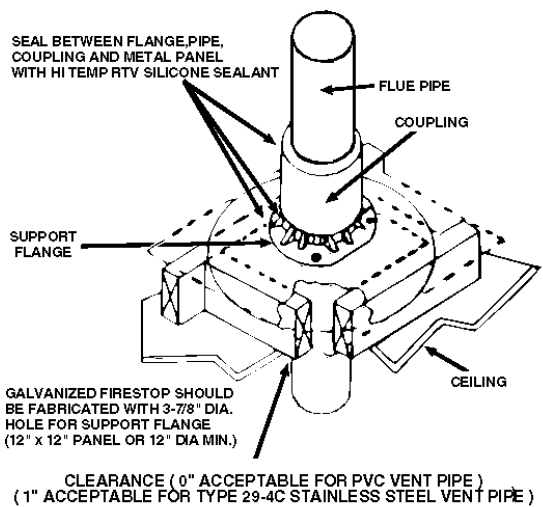
37



BAYAIR30AVENTA (VERTICAL)

CONCENTRIC VENT ROOF INSTALLATION

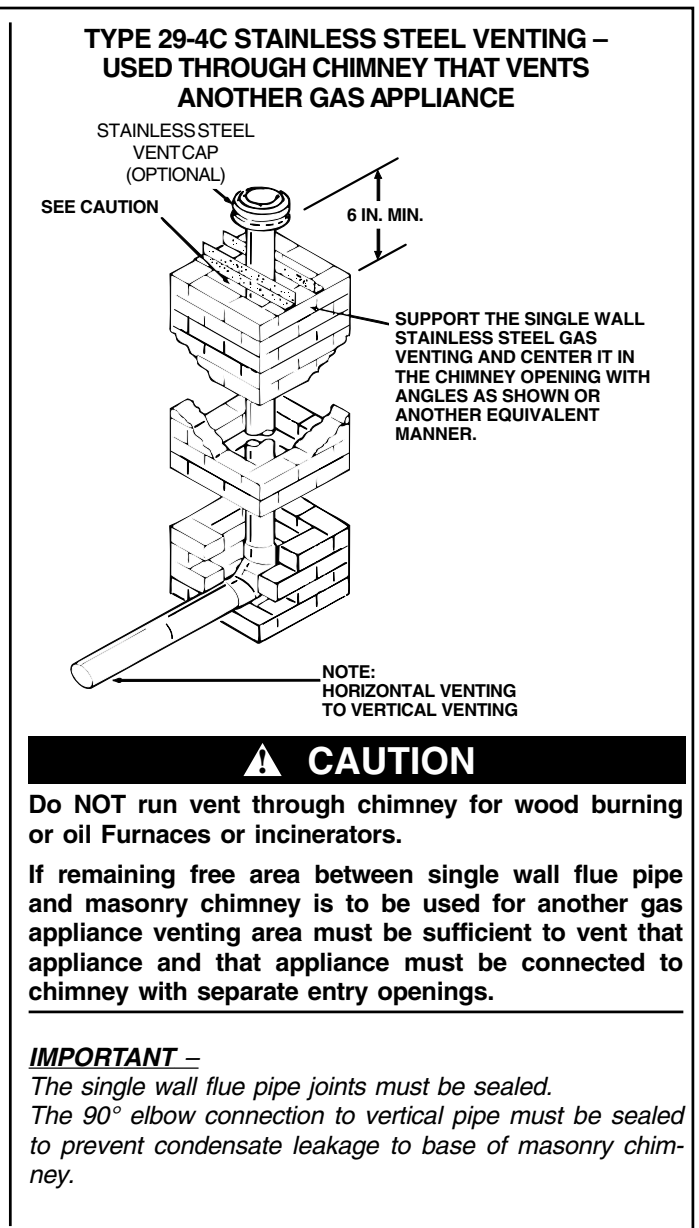
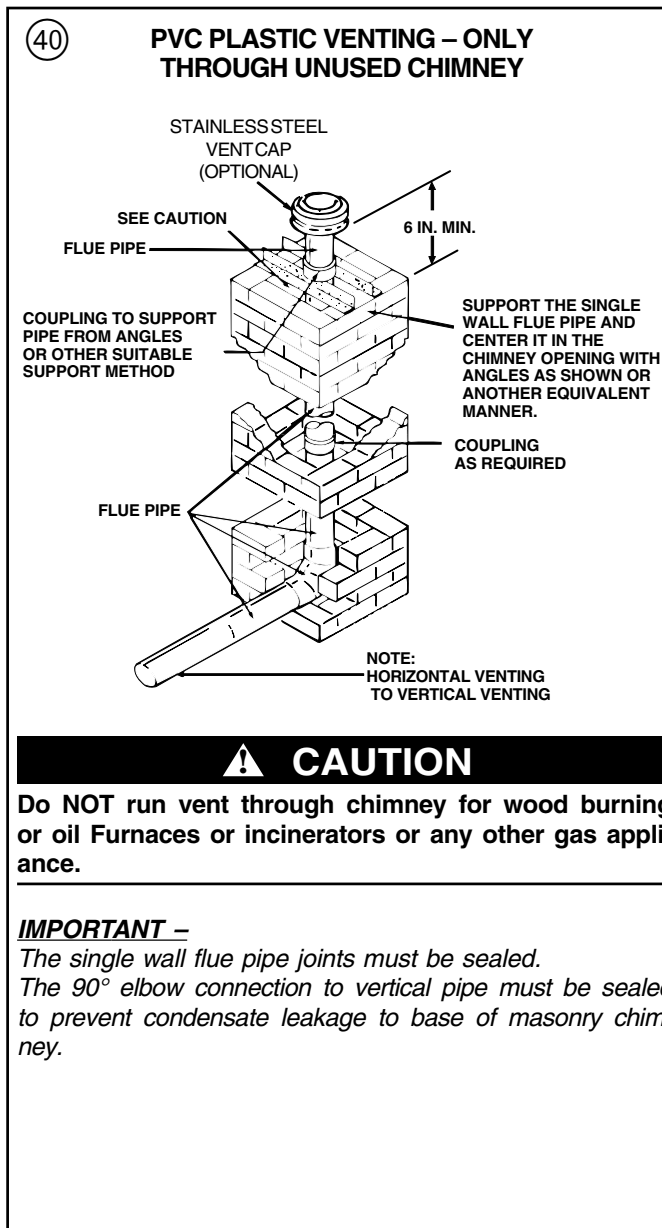
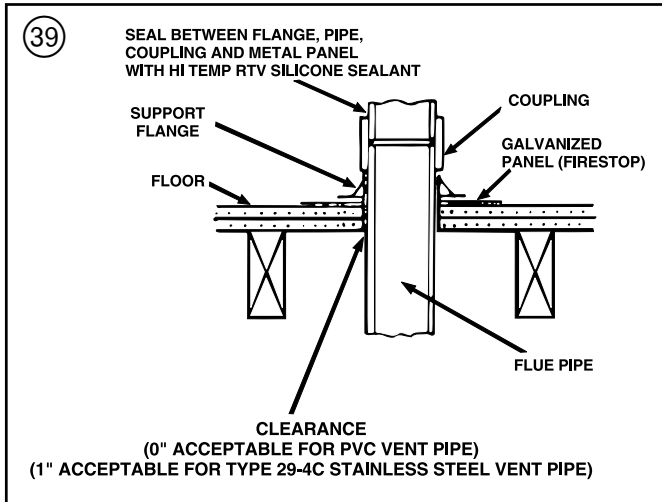
38



GALVANIZED FIRESTOP SHOULD BE FABRICATED WITH 3-7/8" DIA. HOLE FOR SUPPORT FLANGE (12" x 12" PANEL OR 12" DIA MIN.)

CLEARANCE (0" ACCEPTABLE FOR PVC VENT PIPE)
(1" ACCEPTABLE FOR TYPE 29-4C STAINLESS STEEL VENT PIPE)

VENTING THROUGH CEILING



Installer's Guide

ELECTRICAL CONNECTIONS

CAUTION

Protect from Property Damage

Do NOT connect the furnace line voltage to a GFCI protected circuit.

Failure to follow this warning could result in property damage.

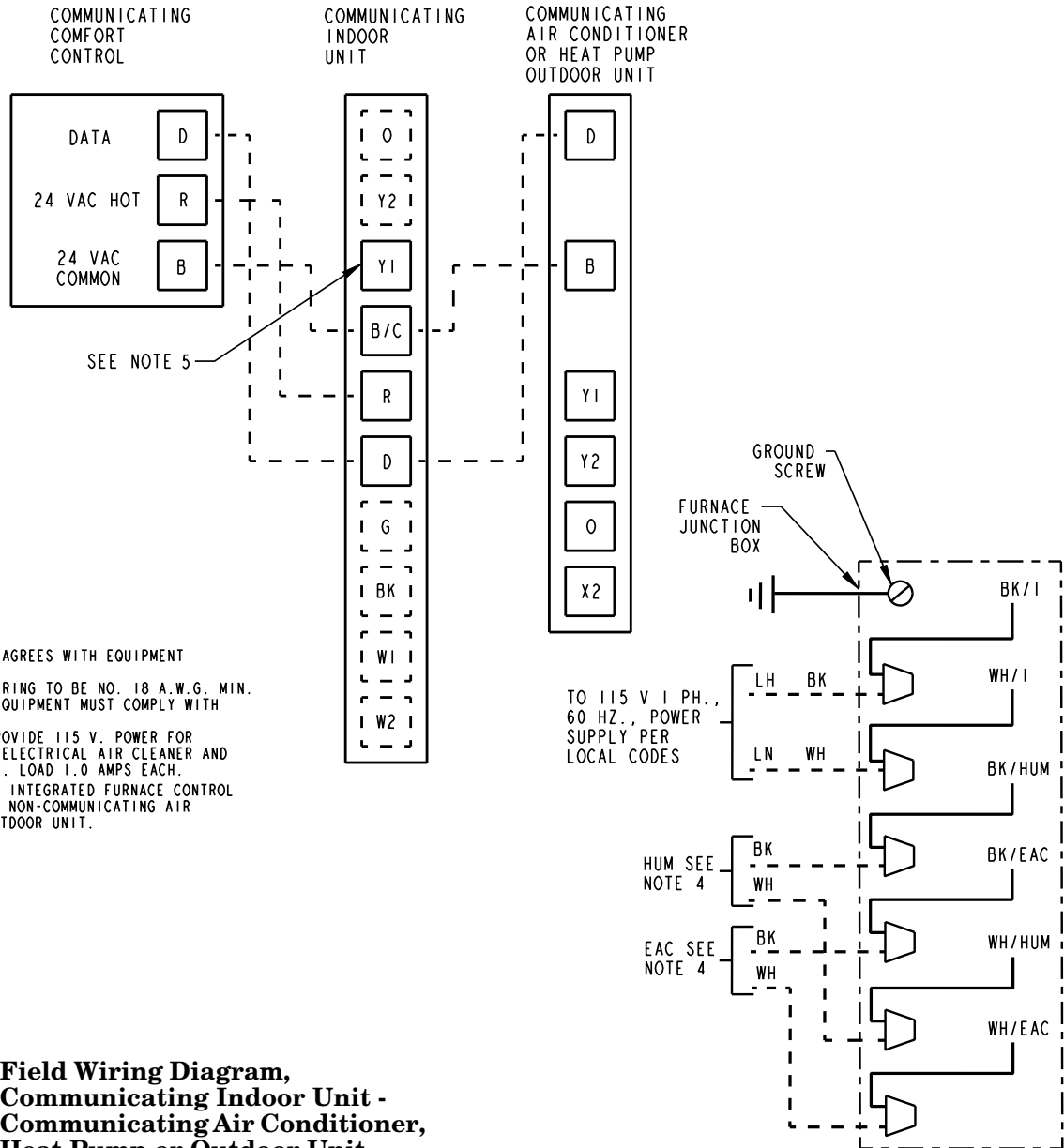
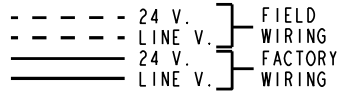
Make wiring connections to the unit as indicated on the following field wiring diagram. As with all gas appliances using electrical power, this furnace shall be connected into a permanently live electric circuit. It is recommended that furnace be provided with a separate "circuit protection device" electric circuit. The furnace must be electrically grounded in accordance with local codes or in the absence of local codes with the National Electrical Code, ANSI/NFPA 70 or CSA C22.1 Electrical Code, if an external electrical source is utilized. ***The integrated furnace control is polarity sensitive.***

The hot leg of the 120V power supply must be connected to the Black power lead as indicated on the wiring diagram. Provision for hooking up an Electronic Air Cleaner and/ or Humidifier is provided on the Integrated Control.

Refer to the SERVICE FACTS literature and unit wiring diagram attached to the furnace.

FIELD WIRING DIAGRAM FOR COMMUNICATING FURNACE AND COMMUNICATING AIR CONDITIONER OR HEAT PUMP OUTDOOR UNIT USING A COMMUNICATING COMFORT CONTROL

INTER-COMPONENT WIRING



- NOTES:
1. BE SURE POWER AGREES WITH EQUIPMENT NAMEPLATES(S).
 2. LOW VOLTAGE WIRING TO BE NO. 18 A.W.G. MIN.
 3. GROUNDING OF EQUIPMENT MUST COMPLY WITH LOCAL CODES.
 4. THESE LEADS PROVIDE 115 V. POWER FOR CONNECTION OF ELECTRICAL AIR CLEANER AND HUMIDIFIER MAX. LOAD 1.0 AMPS EACH.
 5. Y1 TERMINAL ON INTEGRATED FURNACE CONTROL ONLY USED WITH NON-COMMUNICATING AIR CONDITIONER OUTDOOR UNIT.

Figure 41 Field Wiring Diagram, Communicating Indoor Unit - Communicating Air Conditioner, Heat Pump or Outdoor Unit

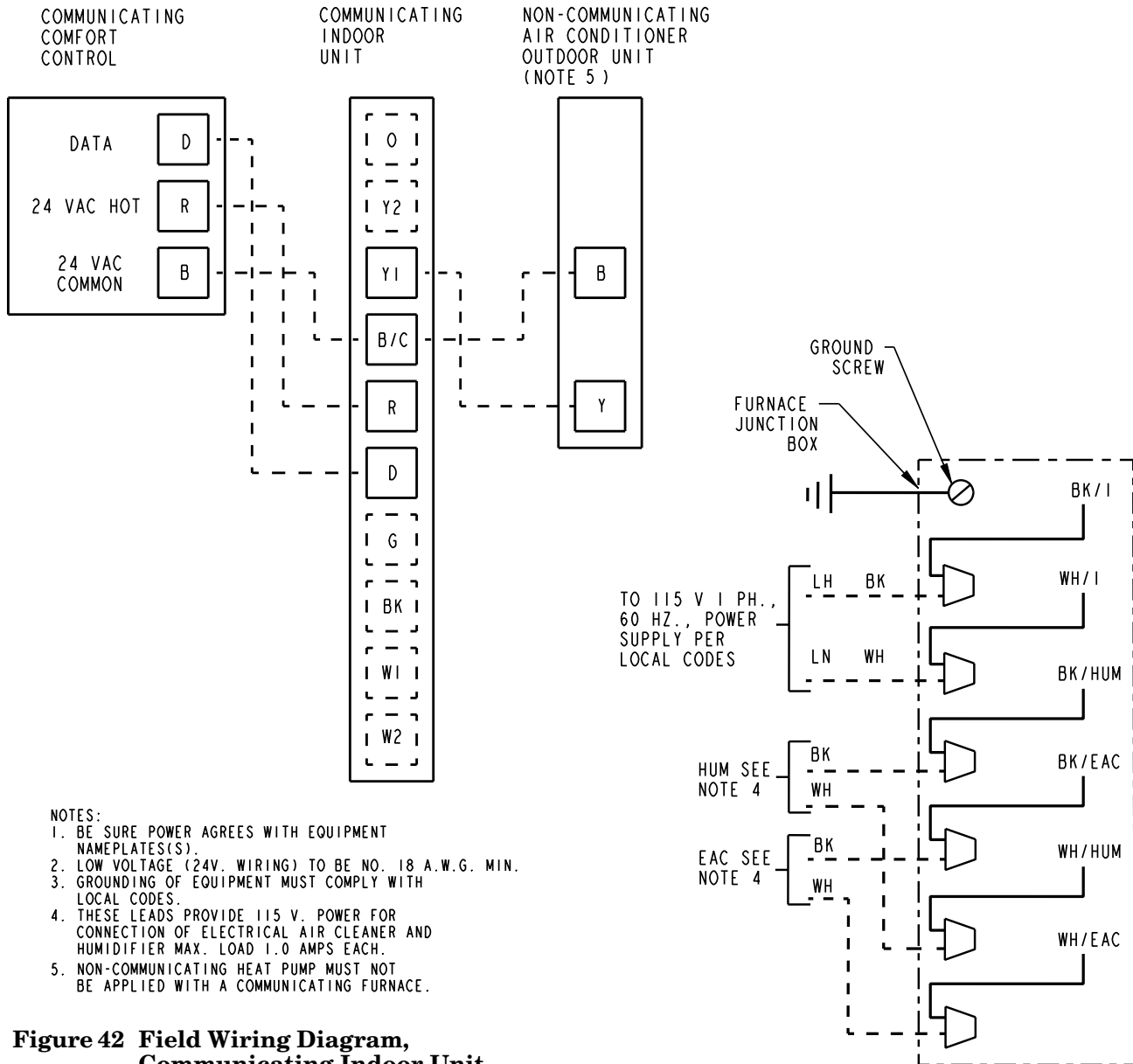
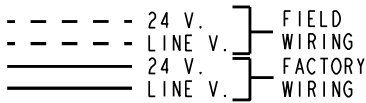
NOTE:
The maximum total cable length for the entire Comfort Control communicating system is 500 ft. 18 AWG. The maximum distance of any single cable from a transformer is 250 ft. 18 AWG.

NOTE:
When connecting a *FD whole house air cleaner with this furnace, order BAYACCECOMM100.

Installer's Guide

FIELD WIRING DIAGRAM FOR COMMUNICATING FURNACE AND NON-COMMUNICATING 24V SINGLE STAGE AIR CONDITIONER USING A COMMUNICATING COMFORT CONTROL

INTER-COMPONENT WIRING



- NOTES:**
1. BE SURE POWER AGREES WITH EQUIPMENT NAMEPLATES(S).
 2. LOW VOLTAGE (24V. WIRING) TO BE NO. 18 A.W.G. MIN.
 3. GROUNDING OF EQUIPMENT MUST COMPLY WITH LOCAL CODES.
 4. THESE LEADS PROVIDE 115 V. POWER FOR CONNECTION OF ELECTRICAL AIR CLEANER AND HUMIDIFIER MAX. LOAD 1.0 AMPS EACH.
 5. NON-COMMUNICATING HEAT PUMP MUST NOT BE APPLIED WITH A COMMUNICATING FURNACE.

Figure 42 Field Wiring Diagram, Communicating Indoor Unit - Non-communicating 24V Single Stage Outdoor Unit

NOTE:
 The maximum total cable length for the entire Comfort Control communicating system is 500 ft. 18 AWG. The maximum distance of any single cable from a transformer is 250 ft. 18 AWG.

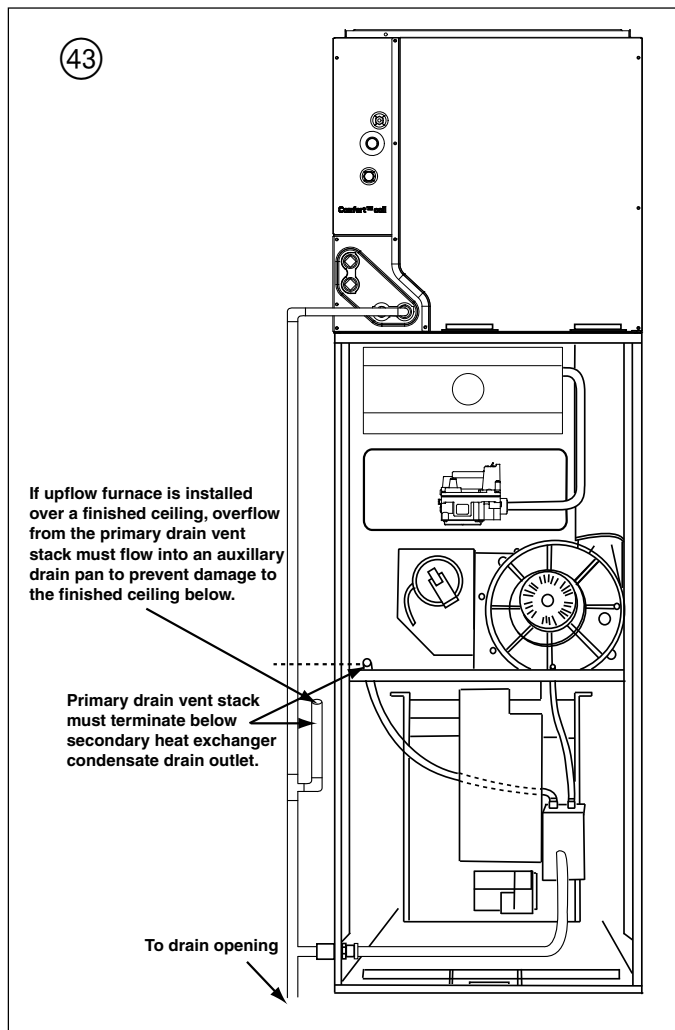
NOTE:
 When connecting a *FD whole house air cleaner with this furnace, order BAYACCECOMM100.

CONDENSATE DRAIN INSTRUCTIONS

⚠ CAUTION

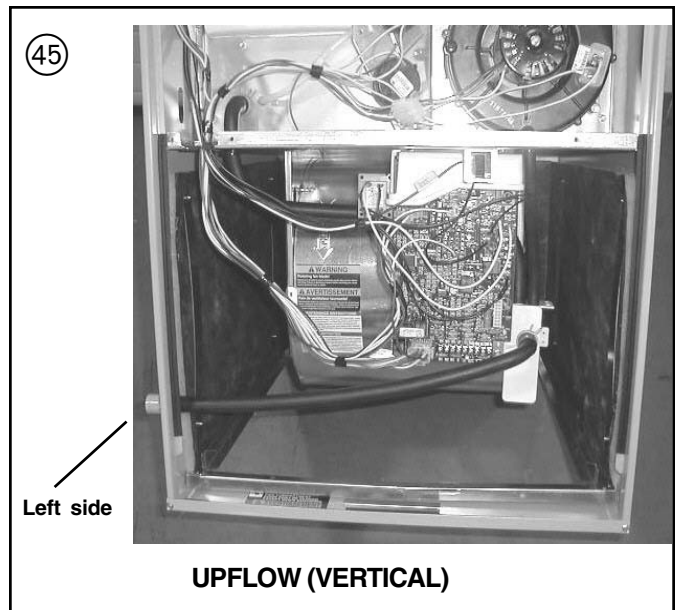
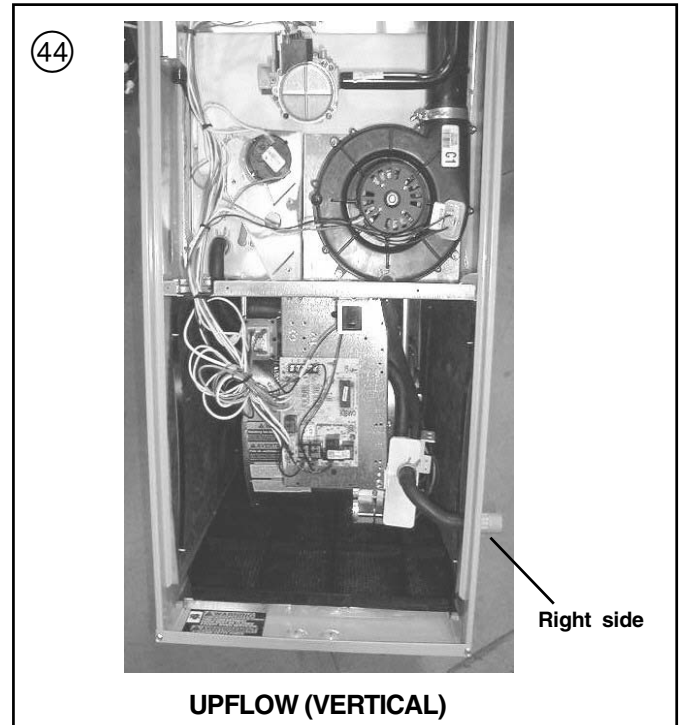
It is recommended that an external overflow drain pan be installed under the furnace to prevent property damage or personal injury from leaking condensate.

Evaporator and furnace condensate drain piping may be manifolded together. A primary drain vent stack must be installed and terminated below the outlet of the secondary heat exchanger drain connection to prevent water from damaging furnace controls if the primary drain outlet plugs up. Where the furnace is installed above a finished ceiling, the primary drain vent stack must be installed such that overflow from the vent stack opening will flow into an auxiliary drain pan in order to prevent water damage to the finished ceiling below. See Figure 43.



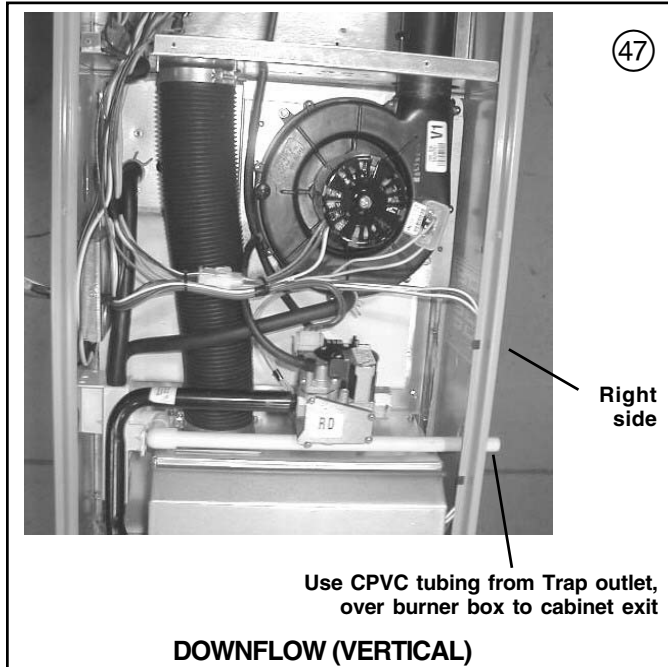
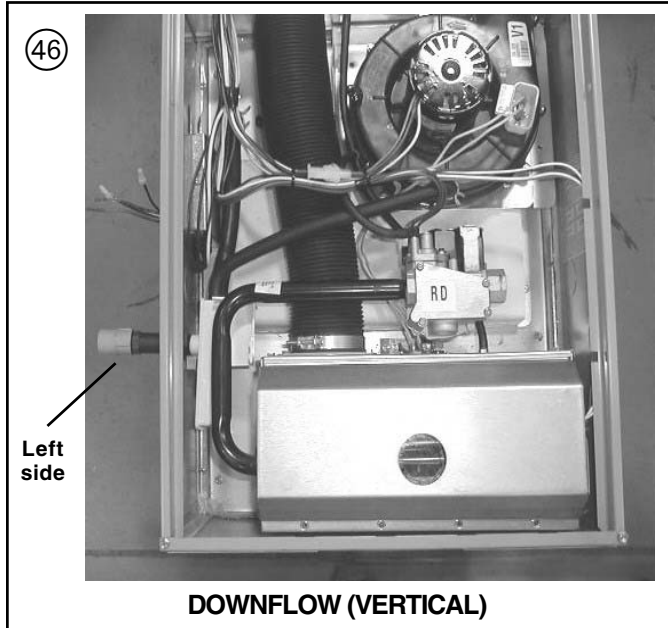
VERTICAL APPLICATIONS

Upflow Vertical Furnace - The connection tubing for left and right side drainage is shipped in the blower compartment. Install the connection tubing from the trap to the side of the unit and trim all excess tubing to avoid kinks. See Figures 44 & 45.



Installer's Guide

Downflow Vertical Furnace - The furnace is shipped with the left side drainage setup. To change the right side drain, remove the drain lines from the trap, rotate the trap 180° so it exits to the right, reconnect the lines, and run a 1/2" CPVC pipe from the trap out through the right side knock-out. Use RTV silicone sealant to connect the CPVC pipe to the trap for ease of removing to clean the trap. See Figures 46 and 47.

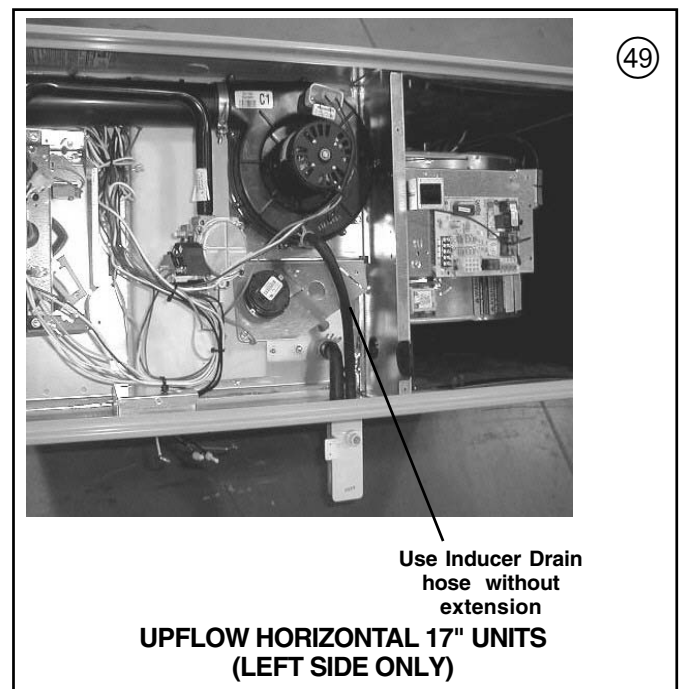
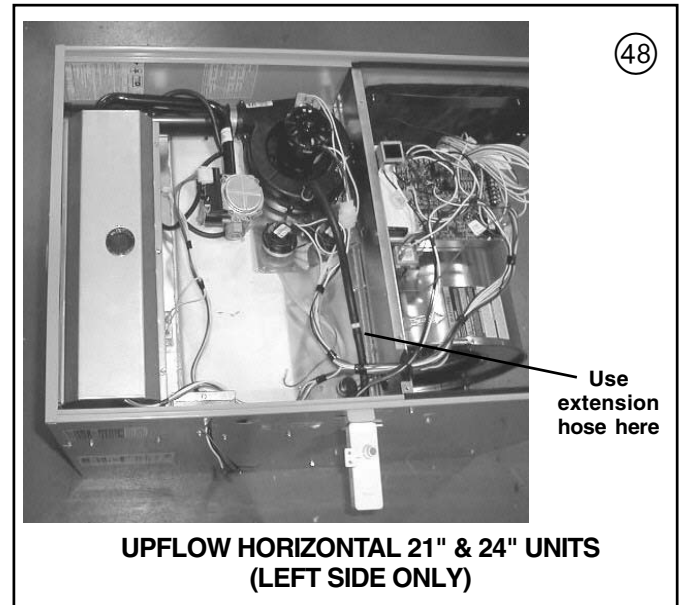


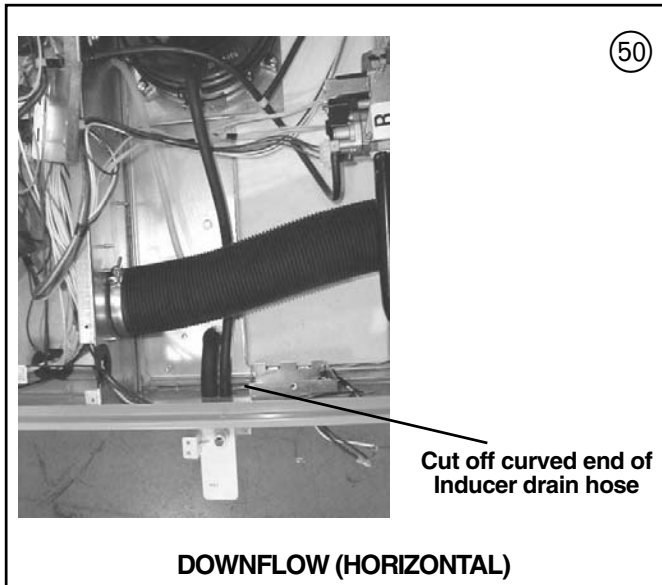
HORIZONTAL APPLICATIONS

Upflow and Downflow Horizontal Furnaces - See Figures 48 and 49. All horizontal applications are left side only. It is always recommended that the auxiliary drain pan be installed under a horizontally installed evaporator and/or 95% Gas Furnace. Connect the auxiliary drain pan to a separate drain line (no trap is needed in this line).

The furnace trap must be repositioned to the exterior of the cabinet. Remove the trap from its present location and reposition the trap outside of the unit, through the long circular hole, next to the secondary recuperative cell. Remove the larger drain line (from the secondary cell) and trim to fit between the secondary cell and the new trap location. On upflow units, plug the hole in the blower deck where the tube went through with factory supplied cap.

Remove the hose from the induced blower and reposition into the other drain tap of the inducer, which is located 90° clockwise around the inducer. Move the cap from that drain tap to the unused drain tap. On upflow units, plug the hole in the blower deck where the tube went through with factory supplied cap.





This tube on downflow units will need to be cut to fit between the Inducer and the trap. On upflow units, this tube may need to be extended, using the tubing shipped with the furnace.

Connections must be made to an **OPEN / VENTED DRAIN**. Outdoor draining of the furnace and coil condensate is permissible if allowed by local codes.

⚠ CAUTION

Caution should be taken to prevent drains from freezing or causing slippery conditions that could lead to personal injury. Excessive draining of condensate may cause saturated ground conditions that may result in damage to plants.

NOTE:

Use 1/2" or larger PVC or CPVC pipe and fittings as required for drain connections (fittings, pipe and solvent cement not provided).

NOTE:

A corrosion resistant condensate pump must be used if a pump is required for a specific drain system.

IMPORTANT:

The condensate drain should be installed with provisions to prevent winter freeze-up of the condensate drain line. Frozen condensate will block drains, resulting in Furnace shut-down. If the drain line cannot be installed in a conditioned space, then UL listed heat tape should be applied as required to prevent freezing (per manufacturer's instructions). The heat tape should be rated at 5 or 6 watts per foot at 120 volts. Self-regulating (preferred) or thermostatically controlled heat tape is required.

NOTE:

All supplied flexible condensate piping is for internal use only. All condensate piping external to the unit must be CPVC or PVC piping.

GAS PIPING

⚠ WARNING

FIRE - EXPLOSION HAZARD

Do NOT use flexible gas lines within the furnace cabinet. Failure to follow this warning could result in property damage, personal injury or death.

⚠ CAUTION

Use a backup wrench on the Gas Valve when installing Gas Piping to prevent damage to the Gas Valve and Manifold Assembly.

The upflow/ horizontal furnace is shipped standard for left side installation of Gas Piping. A knockout is provided on the right side for an alternate Gas Piping arrangement.

The installation of piping shall be in accordance with piping codes and the regulations of the local gas company. Pipe joint compound must be resistant to the chemical reaction with liquefied petroleum gases. Flexible gas connections, if applied, must not be routed through the cabinet of the furnace.

Refer to Natural Gas Piping Table 13 for delivery sizes. Connect Gas Supply to the unit, using a ground joint union and a manual shut-off valve as shown in Figures 51 & 53. National Fuel Gas codes require a condensation drip leg to be installed ahead of the controls as shown in Figures 51 & 53.

The furnace and its individual shut-off valve must be disconnected from the Gas Supply Piping system during any pressure testing of that system at test pressures in excess of 1/2 psig (3.5 kPa).

The furnace must be isolated from the Gas Supply Piping by closing its individual manual shut-off valve during any pressure testing of the Gas Supply Piping system at test pressures equal to or less than 1/2 psig (3.5 kPa).

NOTE:

Maximum pressure to the Gas Valve for natural gas is 13.8" W.C. Minimum pressure is 5.0" W.C. Maximum pressure to the Gas Valve for Propane is 13.8" W.C. Minimum pressure is 11.0" W.C.

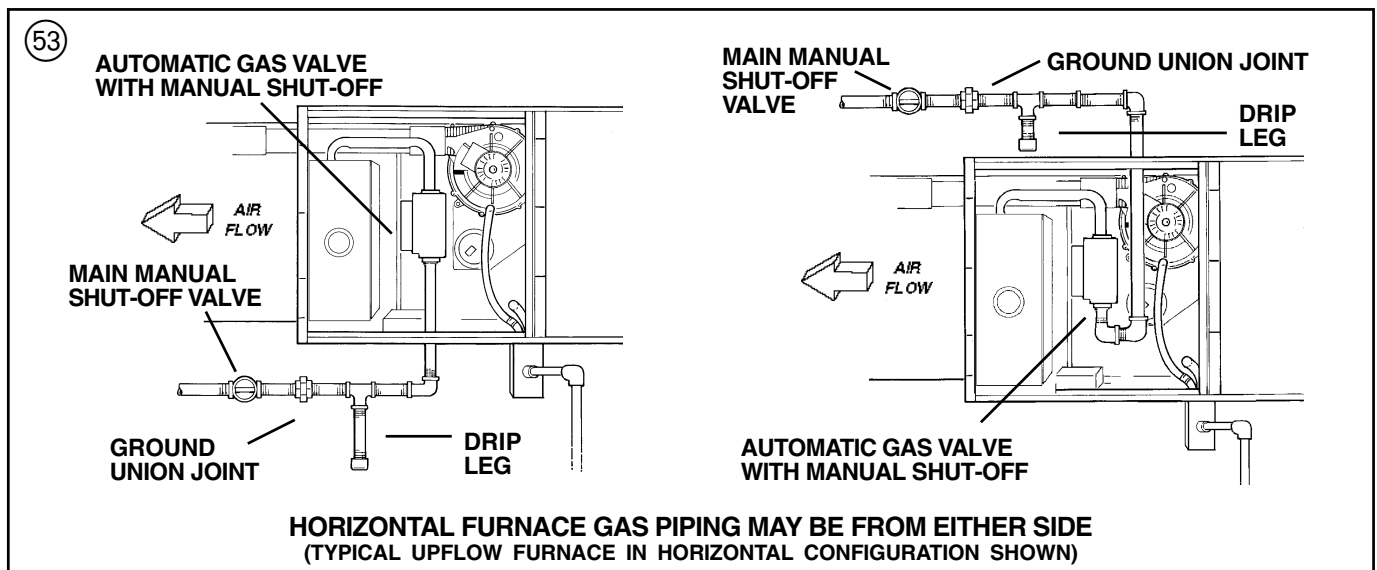
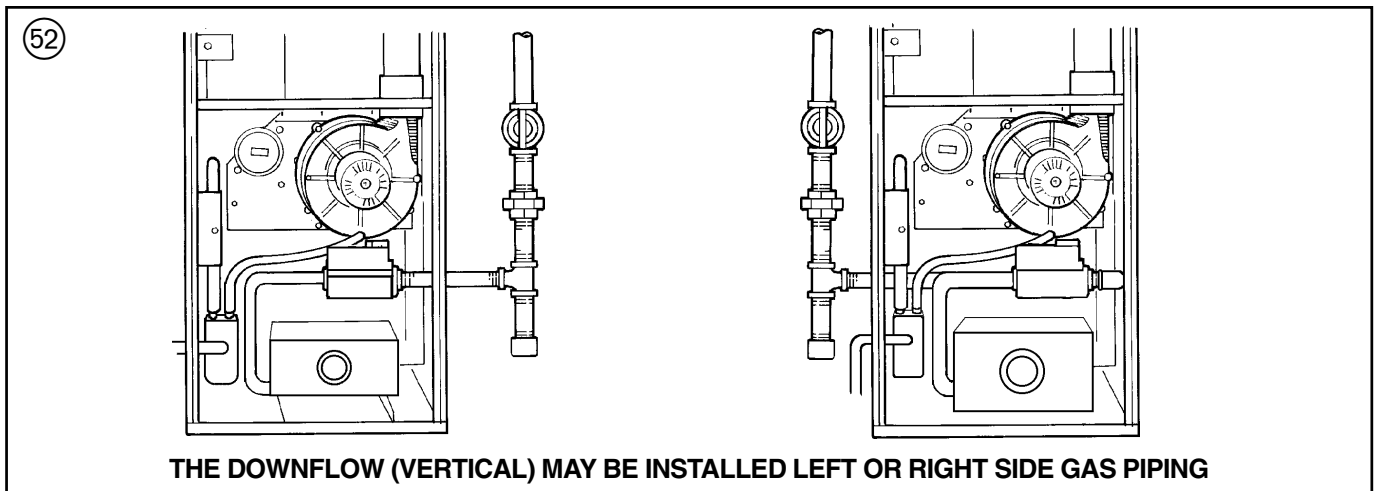
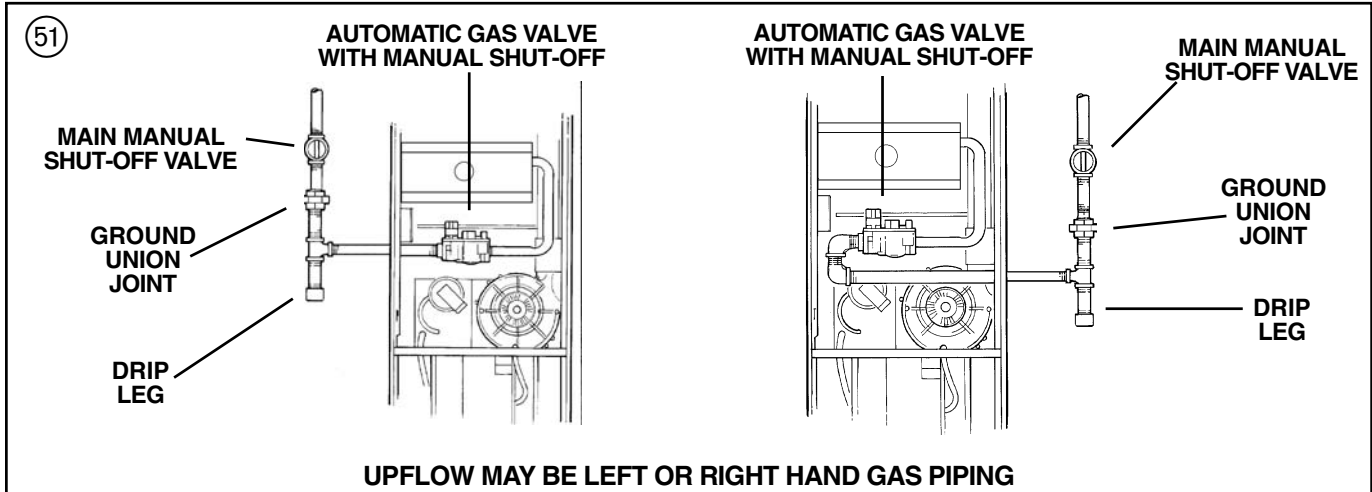
TABLE 13
NATURAL GAS ONLY

PIPE SIZE	LENGTH OF PIPE						
	10	20	30	40	50	60	70
1/2	132	92	73	63	56	50	46
3/4	278	190	152	130	115	105	96
1	520	350	285	245	215	195	180
1-1/4	1050	730	590	520	440	400	370

This table is based on Pressure Drop of 0.3 inch W.C. and 0.6 SP.GR. Gas

All Gas fittings must be checked for leaks using a soapy solution before lighting the furnace. **DO NOT CHECK WITH AN OPEN FLAME!**

Installer's Guide



COMBUSTION AND INPUT CHECK

(SEE ALSO HIGH ALTITUDE DERATE, PAGE 37)

1. Make sure all Gas appliances are off except the furnace.
2. Clock the Gas Meter with the furnace operating on high stage for one revolution. Table 18 shows the flow rate in cubic feet per hour for a measured time of one revolution for a meter on which one revolution indicates 2 cubic feet per hour of gas flow. For other meters, use the following conversions:
 - a) For 1 Cu. Ft. Dial Gas Flow CFH =
Chart Flow Reading \div 2
 - b) For 1/2 Cu Ft. Dial Gas Flow CFH =
Chart Flow Reading \div 4
 - c) For 5 Cu. Ft. Dial Gas Flow CFH =
10X Chart Flow Reading \div 4
3. Multiply the final figure by the heating value of the gas obtained from the utility company and compare to the nameplate rating. This must not exceed the nameplate rating.
4. Repeat steps 2 and 3 with the furnace operating on low stage.
5. Changes can be made by adjusting the manifold pressure (See Table 15), or changing orifices (orifice change may not always be required).
6. To adjust the manifold pressure, remove power from the furnace, turn the screw inside the gas valve outlet pressure tap once counterclockwise to open the port, and connect manometer to the gas valve and burner box. See Figure 54.

NOTE: To obtain an accurate manifold pressure measurement, the manifold pressure must be referenced to the burner box, since the burner box pressure tap equalizes the gas valve pressure regulator. To do so, install a tee and section of tube (field supplied) in the tubing between the tee coming from the burner box tube and the gas valve. This tube and tee is in addition to the tube attached to the gas valve pressure tap on the outlet side of the gas valve. See Figure 55.

NOTE: In order to properly set the manifold gas pressure, the incoming line gas pressure should be tested with the unit off and again with the unit operating at 3rd stage (high fire) setting to ensure adequate fuel supply to the furnace. The incoming gas pressure should be 5" W.C. minimum and 13.8" W.C. maximum.

7. There are two methods to run the furnace during the manifold pressure adjustment procedure. The installer can choose to either use contingency mode or Installer Test 3 on a communicating comfort control. In dual fuel applications, Test 3 cannot be used to set manifold pressure.

8. Setting manifold pressure using Installer Test Mode:

To adjust the manifold pressure using Installer Test mode on a communicating comfort control:

- a. If convenient, the communicating comfort control can be accessed as it is installed in the home. If not convenient, the communicating comfort control can be attached directly at the furnace for this procedure before moving it to its final installation location.

- b. Re-apply 115 VAC to the furnace.

- c. Set the communicating Comfort Control to Installer Test 3. See the Installer's Guide for the communicating comfort control. Note that the communicating Comfort Control will remain in Installer Test for five minutes only unless the user adjusts something on the control before the end of five minutes.

- d. Select 1 on the right hand side of the screen using the UP arrow for 1st stage heat.

- e. Let the furnace go through the First Stage learning routine and have its temperature rise stabilize. The temperature rise and learning routine will take approximately two minutes.

- f. Read the first stage manifold gas pressure after the furnace's temperature rise has stabilized.

- g. If needed, remove the first stage pressure adjustment cover and adjust the gas valve's first stage of heat pressure adjustment screw to obtain the correct first stage pressure. See Figure 54. Use Manifold Pressure Settings Table 15 for the correct first stage pressure reading in inches of Water Column pressure.

FIRST STAGE ADJUSTMENT: CLOCKWISE TO DECREASE OR COUNTERCLOCKWISE TO INCREASE PRESSURE.

- h. Once the first stage gas pressure is adjusted, select 3 on the right hand side of the communicating Comfort Control screen using the UP arrow for 3rd stage heat.

- i. Let the furnace go through the third stage learning routine and have its temperature rise stabilize. This temperature rise and learning routine will take two minutes.

NOTE: The dust cap screw covering the third stage pressure adjustment screw must be in place during manifold gas pressure readings. See Figure 54.

- j. Remove the dust cap and adjust the gas valve third stage of heat pressure adjustment screw slightly to obtain the correct rate.

Installer's Guide

THIRD STAGE ADJUSTMENT: COUNTERCLOCKWISE TO DECREASE OR CLOCKWISE TO INCREASE PRESSURE.

- k. Replace and tighten the dust cap for the third stage adjustment screw and then read the manifold pressure again. This procedure may need to be repeated until the manifold gas pressure is 3.5" of Water Column.
- l. If the firing rate cannot be obtained with the manifold pressures specified in Table 15, the orifices must be changed. If a change of orifices is required to correct the furnace input rating refer to Table 16 on page 37 and the orifice part number Table 17 on page 38.
- m. When the correct operating gas valve pressures are obtained, turn the furnace off. Remove the field supplied manometer tubing and the tee installed at the beginning steps and **TIGHTEN DOWN THE MANIFOLD DUST CAPS and the GAS PRESSURE PORT SCREW.** Using a leak detection solution or soap suds, check for leaks at plug or outlet pressure tap screw. Turn on the 115V power to the furnace.

⚠ WARNING

EXPLOSION HAZARD

REPLACE AND/OR TIGHTEN ALL PLUGS REMOVED OR LOOSENED WHEN ADJUSTING GAS PRESSURE. LEAK CHECK THE FITTINGS BEFORE PLACING INTO REGULAR SERVICE. FAILURE TO FOLLOW THIS WARNING COULD RESULT IN SERIOUS PERSONAL INJURY, PROPERTY DAMAGE, OR DEATH.

9. Setting manifold pressure using Contingency Mode:

To adjust the manifold pressure using furnace contingency mode:

- a. Disconnect the comfort control data wire labeled "D".
- b. Re-apply 115 VAC to the furnace
- c. User Interface will display WAIT, then model and serial number.
- d. Set up the furnace in the contingency mode of operation at the User Interface for the first stage of heat with a 50% duty cycle. (See contingency mode of operation for additional details on page 45)
- e. Remove 115 VAC power from the furnace. Do not re-power the furnace until the Green LED on the inducer motor drive board goes out.
- f. Apply 115 VAC power to the furnace. The furnace User Interface will display WAIT, and then the display will change to CNTNGNCY MODE STG 1 50%.
- g. Let the furnace go through the first stage learning routine and its temperature rise stabilize.

The temperature rise and learning routine will take less than two minutes.

- h. Read the first stage manifold gas pressure after the furnace's temperature rise has stabilized.
- i. If needed, remove the first stage pressure adjustment cover and adjust the gas valve's first stage of heat pressure adjustment screw to obtain the correct first stage pressure. See Figure 54. Use Manifold Pressure Settings Table 15 for the correct first stage pressure reading in inches of Water Column pressure.

FIRST STAGE ADJUSTMENT: CLOCKWISE TO DECREASE OR COUNTERCLOCKWISE TO INCREASE PRESSURE.

- j. Once the first stage gas pressure is adjusted, turn the gas valve switch to the OFF position. Operate the furnace for two more minutes to cool down the heat exchanger.
- k. The furnace IFC will stop the first stage 50% duty heating cycle after ten minutes. To manually exit the first stage contingency cycle, remove 115 VAC power from the furnace. Do not re-power the furnace until the Green LED on the Inducer Motor Drive Board goes out.
- l. Turn the gas valve switch to the ON position.
- m. Again apply 115 VAC power to the furnace.
- n. Set the furnace in the CONTINGENCY MODE of operation at the User Interface Module for the third stage of heat with a 50% duty cycle, then depower and then re-power the furnace.
- o. Let the furnace go through the third stage learning routine and its temperature rise to stabilize. This temperature rise and learning routine will take two minutes.

NOTE: The dust cap screw covering the third stage pressure adjustment screw must be in place during manifold gas pressure readings. See Figure 54.

- p. Remove the dust cap and adjust the gas valve third stage of heat pressure adjustment screw, slightly to obtain the correct rate. See Figure 54.

THIRD STAGE ADJUSTMENT: COUNTERCLOCKWISE TO DECREASE OR CLOCKWISE TO INCREASE PRESSURE.

- q. Replace and tighten the dust cap for the third stage adjustment screw and then read the manifold pressure again. This procedure may need to be repeated until the manifold gas pressure is 3.5" of Water Column pressure.
- r. If the firing rate cannot be obtained with the manifold pressures specified in Table 15, the orifices must be changed. If a change of orifices is required to correct the furnace input rating refer to Table 17 on page 38.

s. Once the third stage gas pressure is adjusted, turn the gas valve switch to the OFF position. Operate the furnace for two more minutes to cool down the heat exchanger.

t. Remove 115 VAC power from the furnace.

Do not repower the furnace until the green LED on the inducer motor drive board goes out.

u. Turn the gas valve switch to the ON position.

v. When the correct operating gas valve pressures are obtained, turn the furnace and gas valve switch off. Remove the field supplied manometer tubing and the tee installed at the beginning steps and **TIGHTEN DOWN THE MANIFOLD DUST CAPS** and the **GAS PRESSURE PORT SCREW**. Using a leak detection solution or soap suds, check for leaks at plug or outlet pressure tap screw. Reconnect the thermostat data line to the D terminal of the furnace. Turn on the 115V power to the furnace. With the thermostat data line connected to the furnace and communications between the thermostat and the furnace reestablished, the furnace operation will now be controlled by the communicating comfort control.

⚠ WARNING

**EXPLOSION HAZARD
REPLACE AND/OR TIGHTEN ALL PLUGS
REMOVED OR LOOSENED WHEN ADJUSTING
GAS PRESSURE. LEAK CHECK THE FITTINGS
BEFORE PLACING INTO REGULAR SERVICE.
FAILURE TO FOLLOW THIS WARNING COULD
RESULT IN SERIOUS PERSONAL INJURY,
PROPERTY DAMAGE, OR DEATH**

TABLE 15

Furnace Input rate (KBTU/hr)	FINAL MANIFOLD PRESSURE SETTINGS (inches w.c.)		
	1st Stage	2nd Stage	3rd Stage
60	0.7 ± 0.2	Not Adjustable	3.5 ± 0.2
80	0.7 ± 0.2	Not Adjustable	3.5 ± 0.2
100	0.7 ± 0.2	Not Adjustable	3.5 ± 0.2
120	0.7 ± 0.2	Not Adjustable	3.5 ± 0.2

Manifold pressures apply for both Natural Gas and Propane applications

Table 15A

High Altitude Kit	Used with Model:
BAYSWT07AHALTA	*UH3B060ACV3V *DH3B060ACV3V
BAYSWT09AHALTA	*UH3B080ACV3V *DH3B080ACV3V *UH3C100ACV4V *DH3C100ACV4V
BAYSWT08AHALTA	*UH3D120ACV5V *DH3D120ACV5V

* May be "A" or "T"

HIGH ALTITUDE DERATE

⚠ CAUTION

CAUTION

Maintain manifold pressure as specified in Table 15 in high altitude installations. Failure to do so may result in poor ignition characteristics.

Input ratings (BTUH) of these furnaces are based on sea level operation and should not be changed at elevations up to 2,000 ft. (610m).

If the installation is 2,000 ft. (610m) or above, the furnace input rate (BTUH) shall be reduced 4% for each 1,000 ft. above sea level.

Installation of this furnace at altitudes above 2,000 ft. (610m) shall be in accordance with local codes, or in the absence of local codes, the *National Fuel Gas Code, ANSI Z223.1/NFPA 54* or *National Standard of Canada, Natural Gas and Propane Installation Code, CSA B149.1*. Installation of this furnace at altitudes above 2,000 ft. (610m) shall be made in accordance with the listed high Altitude Conversion Kit available with this furnace.

The furnace input rate shall be checked by using the methods of Combustion and Input Check on page 35.

TABLE 16

PART NUMBERS FOR REPLACEMENT ORIFICES

DRILL SIZE	PART NUMBER	DRILL SIZE	PART NUMBER
44	ORF00501	52	ORF00495
45	ORF01427	53	ORF00504
46	ORF00909	54	ORF00555
47	ORF01429	55	ORF00693
48	ORF01099	56	ORF01428
49	ORF00503	57	ORF00908
50	ORF00493	58	ORF01338
51	ORF00494	59	ORF01339

If the desired input rate cannot be achieved with a change in manifold pressure, then the orifices must be changed. LP installations will require an orifice change. See Table 16 for replacement orifice part numbers.

IMPORTANT:

Reinstall the propane orifices to the same depth as the orifices supplied with the equipment.

See Table 17 for help in selecting orifices if orifice change is required. Furnace input rate and temperature rise should be checked again after changing orifices to confirm the proper rate for the altitude. The vent length table on page 19 shows the required vent lengths for installations at various altitudes. An optional high altitude kit is available for installations above 5000 feet (Installations above 12,000 feet are not allowed). Use Table 15A to select the appropriate high altitude kit for your furnace model.

Installer's Guide

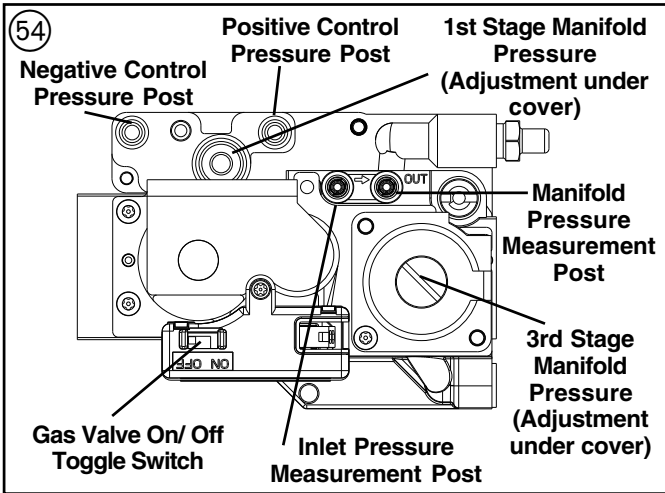
TABLE 17

Orifice Twist Drill Size If Installed At Sea Level	ALTITUDE ABOVE SEA LEVEL and Orifice Required At Other Elevations									
	2000 3000 4000 5000 6000 7000 8000 9000 10000									
	2000	3000	4000	5000	6000	7000	8000	9000	10000	
42	42	43	43	43	44	44	45	46	47	
43	44	44	44	45	45	46	47	47	48	
44	45	45	45	46	47	47	48	48	50	
45	46	47	47	47	48	48	49	49	50	
46	47	47	47	48	48	49	49	50	51	
47	48	48	49	49	49	50	50	51	52	
48	49	49	49	50	50	50	51	51	52	
49	50	50	50	51	51	51	52	52	52	
50	51	51	51	51	52	52	52	53	53	
51	51	52	52	52	52	53	53	53	54	
52	52	53	53	53	53	53	54	54	54	
53	54	54	54	54	54	54	55	55	55	
54	54	55	55	55	55	55	56	56	56	
55	55	55	55	56	56	56	56	56	57	
56	56	56	57	57	57	58	59	59	60	
57	58	59	59	60	60	61	62	63	63	
58	59	60	60	61	62	62	63	63	64	

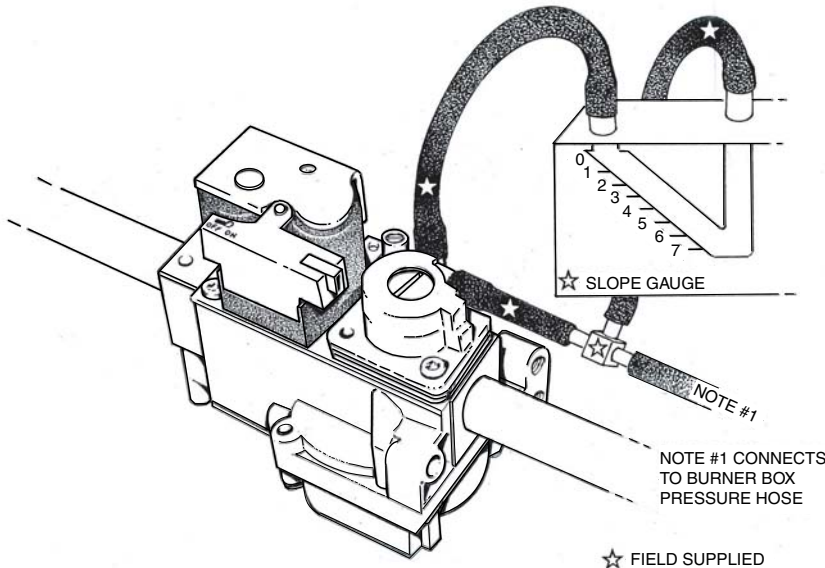
From National Fuel Gas Code - Table F-4

TABLE 18

GAS FLOW IN CUBIC FEET PER HOUR							
2 CUBIC FOOT DIAL							
SEC.	FLOW	SEC.	FLOW	SEC.	FLOW	SEC.	FLOW
8	900	29	248	50	144	82	88
9	800	30	240	51	141	84	86
10	720	31	232	52	138	86	84
11	655	32	225	53	136	88	82
12	600	33	218	54	133	90	80
13	555	34	212	55	131	92	78
14	514	35	206	56	129	94	76
15	480	36	200	57	126	96	75
16	450	37	195	58	124	98	73
17	424	38	189	59	122	100	72
18	400	39	185	60	120	104	69
19	379	40	180	62	116	108	67
20	360	41	176	64	112	112	64
21	343	42	172	66	109	116	62
22	327	43	167	68	106	120	60
23	313	44	164	70	103	124	58
24	300	45	160	72	100	128	56
25	288	46	157	74	97	132	54
26	277	47	153	76	95	136	53
27	267	48	150	78	92	140	51
28	257	49	147	80	90	144	50



55 CORRECT METHOD OF CHECKING DIRECT VENT MANIFOLD PRESSURE WITH BURNER BOX REFERENCED



CAUTION

Return all tubing, caps, and/or plugs to original positions when pressure checks are completed.

NOTE:

Natural gas input rate should be clocked at gas meter in third stage of heat when the gas valve is replaced or gas valve pressure adjustments are made.

Table 19 lists the main burner orifices used with the Furnace.

Table 19 ORIFICE SIZES

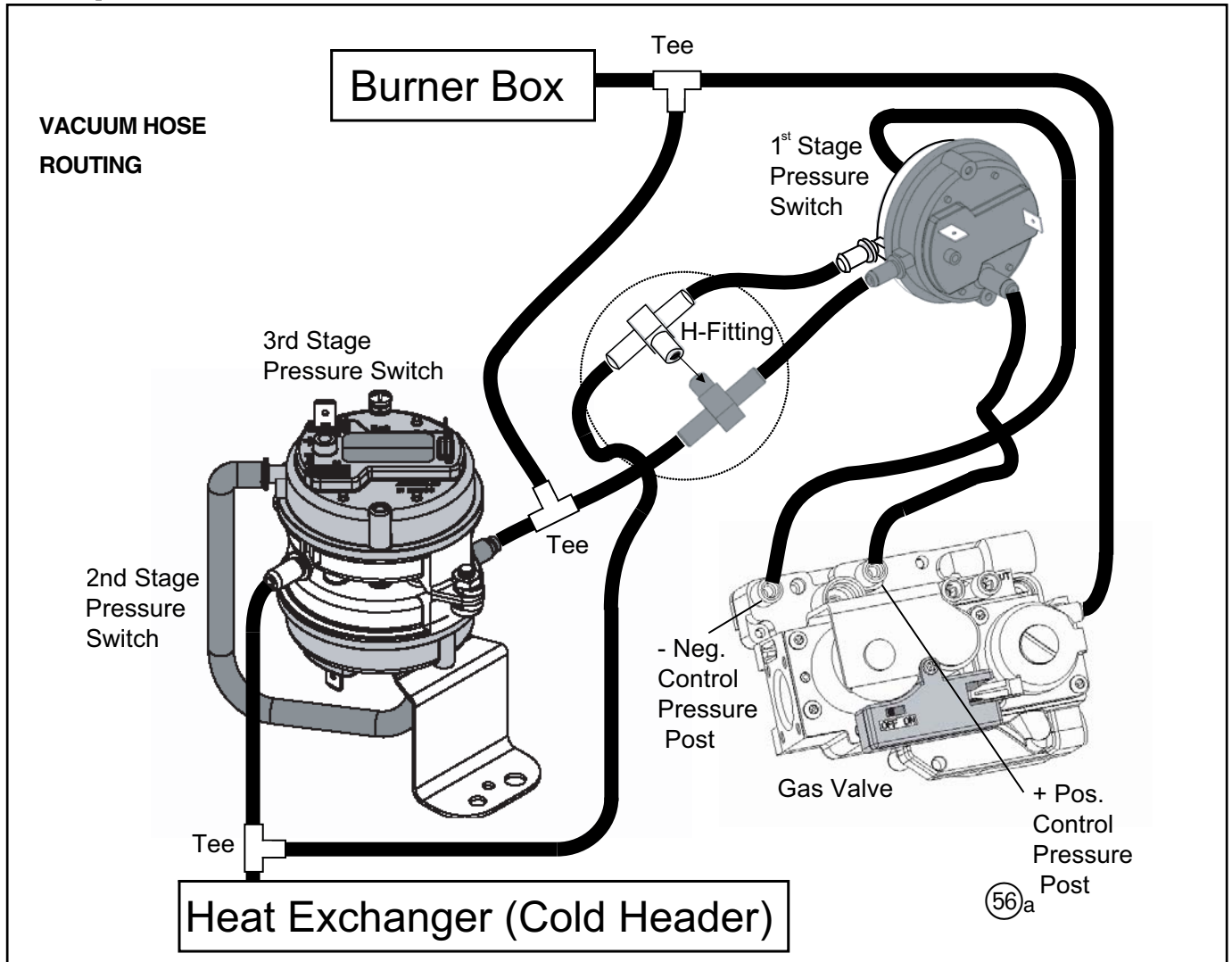
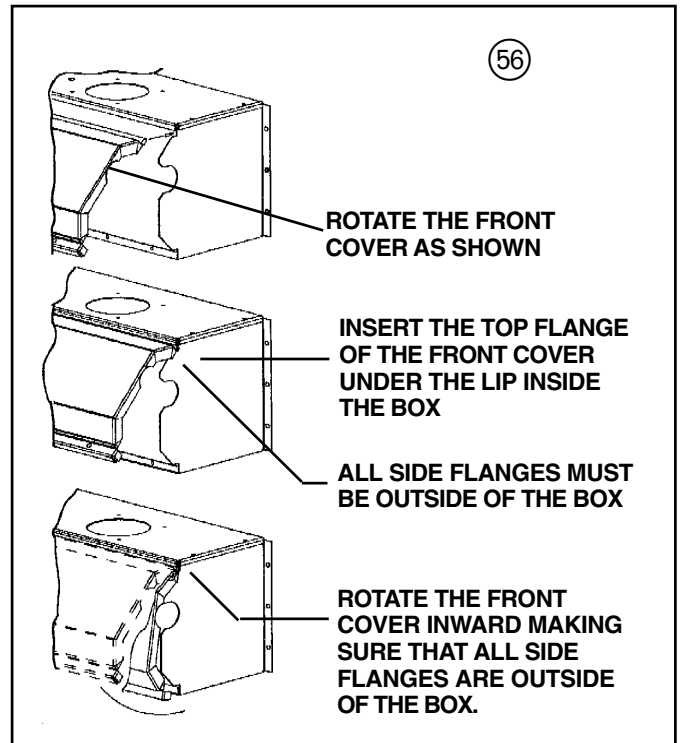
INPUT RATING BTUH	NUMBER OF BURNERS	MAIN BURNER ORIFICE DRILL SIZE	
		NAT. GAS	LP GAS
60,000	3	45	51
80,000	4	45	51
100,000	5	45	51
120,000	6	45	51

NOTE:

The LP Conversion Kit used with the 3 stage furnace is BAYLPSS220A or BAYLPKT220A.

REINSTALLATION OF THE BURNER BOX COVER

Figure 56 shows the correct way to reinstall the Burner Box cover if adjustment or replacement of the Flame Sensor, Hot Surface Igniter, or Main Burner orifices have required removal of the cover.



Installer's Guide

START-UP AND ADJUSTMENT PRELIMINARY INSPECTIONS

WARNING

Disconnect power to the unit before removing the blower door. Allow a minimum of 10 seconds for IFC power supply to discharge to 0 volts. Failure to follow this warning could result in property damage, personal injury or death.

With gas and electrical power “OFF”

1. Duct connections are properly sealed.
2. Filters are in place.
3. Venting is properly assembled.
4. Blower door is in place.

Turn the main Gas Valve toggle switch (See Figure 54) within the unit to the “OFF” position. Turn the external shutoff valve to the “OPEN” position (See Figures 51 and 53). Purge the air from the gas lines. After purging, check all gas connections for leaks with a soapy solution — **DO NOT CHECK WITH AN OPEN FLAME**. Allow 5 minutes for any gas that might have escaped to dissipate. LP Gas being heavier than air may require forced ventilation. Turn the toggle switch on the Gas Valve in the unit to the “ON” position.

All soap solution should be cleaned off gas piping after gas leak testing is complete.

LIGHTING INSTRUCTIONS

WARNING

Fire or Explosion Hazard

Do **NOT** attempt to manually light the burner.

Failure to follow this warning could result in property damage, personal injury or death.

CAUTION

Whenever your house is to be vacant, arrange to have someone inspect your house for proper temperature. This is very important during freezing weather. If for any reason your furnace should fail to operate damage could result, such as frozen water pipes.

Lighting instructions appear on each unit. Each installation must be checked out at the time of initial start up to insure proper operation of all components. Check out should include putting the unit through one complete cycle as outlined below.

Turn on the main electrical supply and set the Comfort Control above the indicated temperature. The Ignitor will automatically heat, then the Gas Valve is energized to permit the flow of gas to the burners. After ignition and flame is established, the Flame Control Module monitors the flame and supplies power to the Gas Valve until the Comfort Control is satisfied.

TO SHUT OFF

For complete shutdown: Turn the Gas Valve toggle switch on the main Gas Valve to the “OFF” position (See Figures 54). Disconnect the electrical supply to the unit.

CAUTION

If complete shutdown is done during the cold weather months, provisions must be taken to prevent freeze-up of all water pipes and water receptacles.

NOTE:

On LP (propane) units, the flame may be yellow in color. Since these models use 3.5” WC Manifold Pressure, some yellow in the flames is expected and is considered normal operation of the Furnace. Natural gas units should not have any yellow tipped flames. This condition indicates that a service call is required. For best operation, burners must be cleaned annually using brushes and vacuum cleaner.

SERVICE PROCEDURE TO ACCESS USER INTERFACE FOR 3-STAGE FURNACE

This procedure should only be performed by trained service personnel.

WARNING

ELECTRICAL SHOCK HAZARD
DO NOT BYPASS THE DOOR SWITCH BY ANY PERMANENT MEANS.
FAILURE TO FOLLOW WARNING COULD RESULT IN SERIOUS PERSONAL INJURY OR DEATH.

WARNING

ELECTRICAL SHOCK HAZARD
DO NOT TOUCH ANY COMPONENTS OTHER THAN THE DISPLAY ASSEMBLY AND THE DOOR SWITCH DURING THIS PROCEDURE.
FAILURE TO FOLLOW WARNING COULD RESULT IN SERIOUS PERSONAL INJURY OR DEATH.

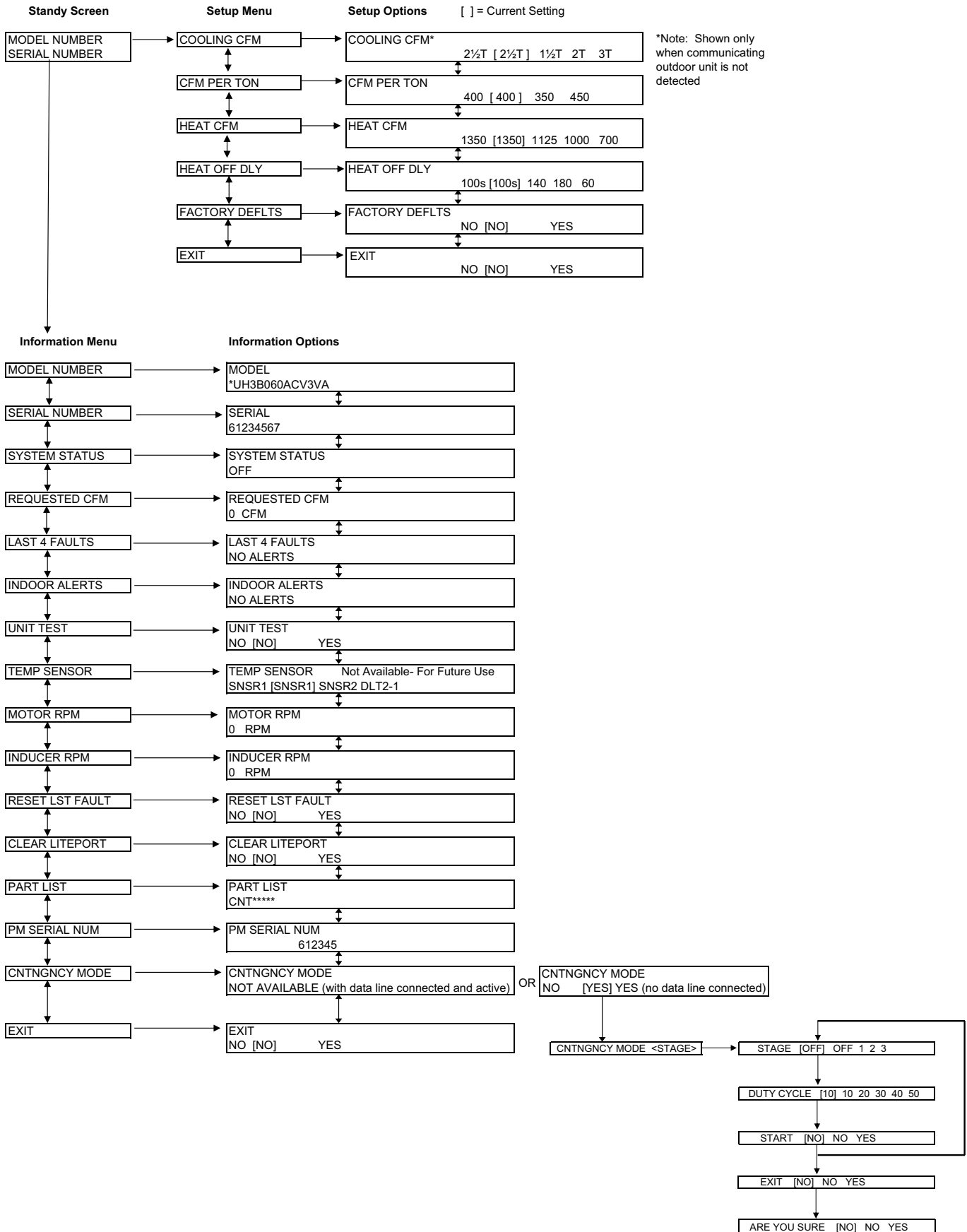
1. Remove Blower Door panel by turning the two door latches.
2. Lower door panel and remove from service access area.
3. Use one hand depress the door switch (there must be power to the control system for the display assembly to function) and keep the door switch depressed during programming.
4. Using the other hand move through the Display Assembly menu using the arrow buttons.
5. The User Interface menu on page 42 is a guide to the menu options.
6. When programming is complete release Door Switch and replace the Blower Door.

NOTE:

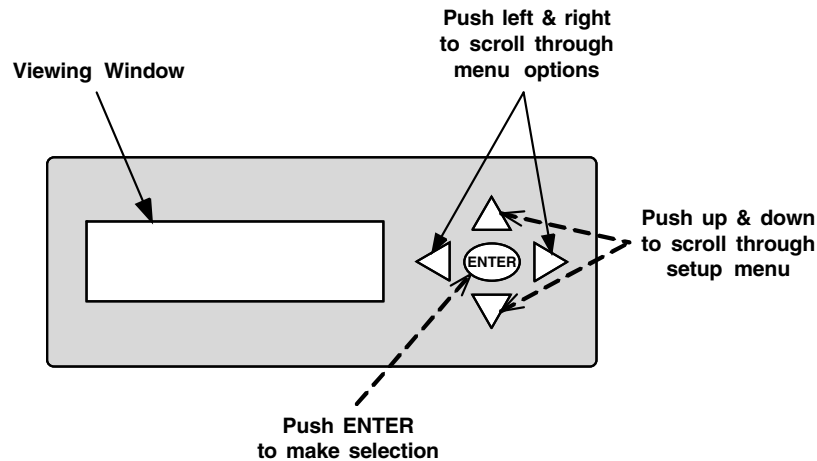
If power is lost during programming, all changes made will be saved.

Installer's Guide

TABLE 20 - USER INTERFACE MENU



57 USER INTERFACE



User Interface pictured above adjusts Variable Speed Airflow options and is used for custom setup of Furnace operations- See menu options in User Interface on page 40.

SEQUENCE OF OPERATION

NOTE:

The numbers in parentheses refer to the numbers along the left side of Figure 58 on page 44.

- The communicating comfort control (17) signals the furnace IFC for first stage heat. (16)
- The IFC then checks all safeties, thermostats (10) & pressure switches PS-1, 2 & 3. (9)
- The IFC signals the variable speed inducer drive (8) to start the vent motor (8) and go to its second stage speed.

Note:

The furnace lights in Second Stage mode.

- First & second stage pressure switches PS-1 & 2 close. (9)
- The IFC receives a 24 Volt AC signal from pressure switches PS-1 & PS-2 when they close. (9) This verifies the vent motor is moving the correct amount of combustion air through the furnace and vent system.
- IFC starts the hot surface igniter learning routine warm up time cycle. (6)
- IFC turns on the gas valve. (11) Trial time for ignition is five seconds.
- The IFC verifies ignition by the flame current sensing method. (7) If a flame is not detected, the IFC will cycle the furnace three times to try and verify a flame. If no flame is detected, the IFC will lock out for one hour. The IFC will send an alert code to the communicating comfort control and user interface. The IFC will also flash its Red alert LED two times repeatedly.
- If a flame is detected, the IFC will start the heat exchanger warm-up time delay for the indoor blower.
- After 45 seconds, the IFC signals the indoor blower (4) to engage and run at its second stage heat speed.
- The IFC then signals the variable speed inducer motor drive board (8) to ramp down the vent motor in steps to the first stage vent motor speed. The reduction of the vent motor speed in steps allows the gas flow through the gas valve to also be reduced in steps, decreasing the chances of burner flame out.
- When the IFC no longer detects the 24 Volt AC signal from pressure switch # 2, PS-2, (9) it will signal the indoor blower (4) to go to its first stage heating speed.
- The communicating comfort control (16) will continue to call for first stage heat operation until the indoor temperature is back at the communicating comfort control set point OR,
- If the communicating comfort control (17) does not detect that the indoor temperature is moving back towards its set point or the indoor temperature is still moving away from the communicating comfort control set point, it will signal the IFC (16) to go to second stage heat.
- The IFC signals the variable speed inducer drive (8) to ramp the vent motor up in steps to its learned second stage RPM speed.
- As the vent motor (8) speed increases the amount of gas coming through the gas valve will increase.
- When the IFC detects a 24 Volt AC signal that pressure switch #2, PS-2, (9) is closed, the IFC will then signal the indoor blower (4) to go to its second stage heat speed.

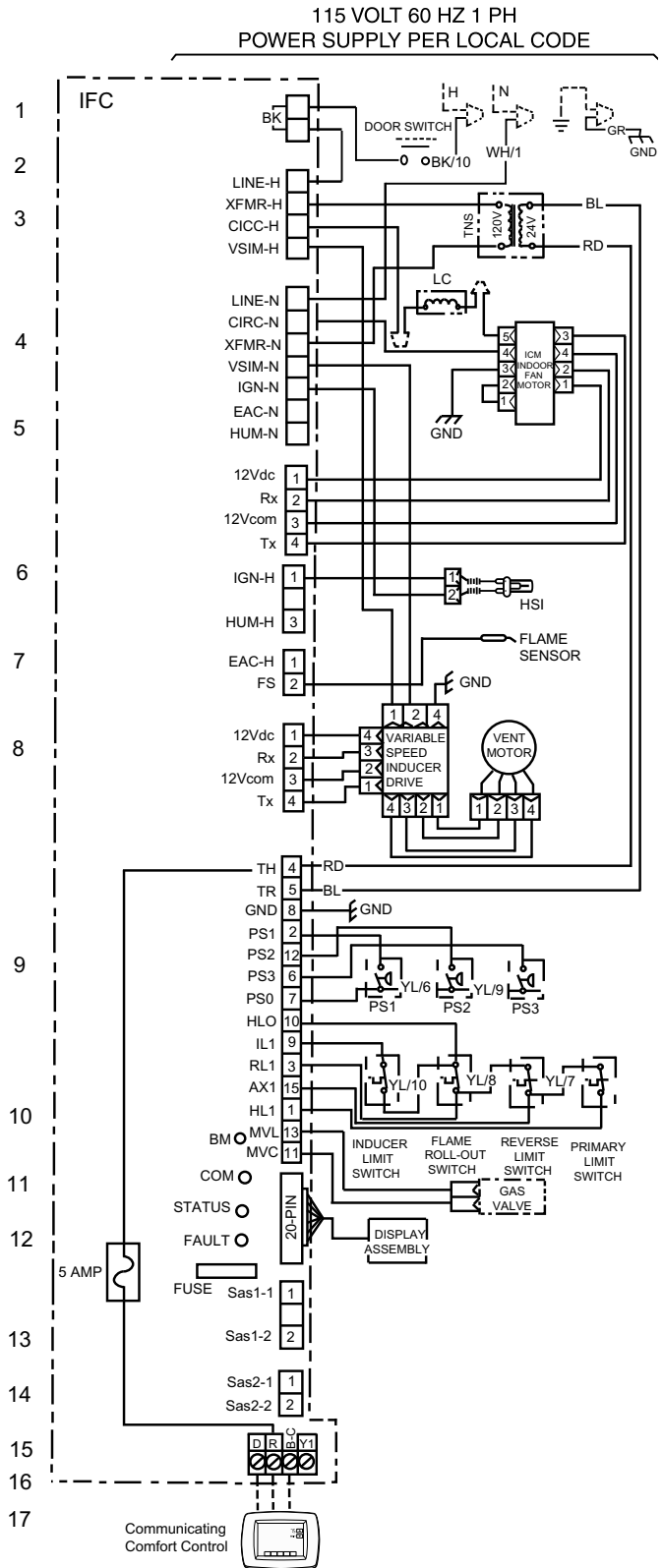
Installer's Guide

- The communicating comfort control (17) will continue to call for second stage heat operation until the indoor temperature approaches its set point. Before the indoor temperature reaches the communicating comfort control (17) set point the communicating comfort control will signal the furnace IFC to go back to first stage operation OR,
- If the communicating comfort control (17) senses the indoor temperature is not moving back towards its set point or the indoor temperature is still moving away from the communicating comfort control set point, it will signal the furnace IFC to go to third stage heat.
- The IFC signals the variable speed inducer drive board (8) to ramp the vent motor in steps to its learned third stage RPM speed.
- As the vent motor speed increases the amount of gas coming through the gas valve will increase.
- When the IFC detects a 24 Volt AC Signal from Pressure Switch #3, PS-3, (9) closing, the IFC will then signal the indoor blower (4) to go to its third stage heat speed.
- The communicating comfort control will continue to monitor the indoor temperature and send signals to the IFC to operate at different stages or turn off so that it can maintain the indoor temperature at the homeowner's set point.

PERSONALITY MODULE

The Personality Module is a removable memory device, on which is stored model specific data required for proper furnace operation. The Personality Module is tethered to the unit and must remain with the furnace at all times. The Personality module must remain plugged into the furnace IFC.

58



UNIT TEST MODE

A qualified technician can cycle the Variable Speed Indoor Blower and the Three Stage Gas Furnace through its Three Stages of Heat at the User Interface.

- The unit test cycle is entered at the user interface.
- The test cycle can only be entered when the comfort control has **no demand** and the furnace IFC is **not reporting a fault**. Disconnect the data wire D from the furnace IFC terminal block to ensure the unit test cycle will not be interrupted.
- Scroll down using the **▼ button** at the user interface until the display reads:
- **UNIT TEST**. Press the **Enter** button.
- **UNIT TEST** and **◀ NO (NO) ▶** will now be displayed. Use the **◀** or **▶** arrow button to change the **NO** to a **YES** and then press **ENTER**.
- **ARE YOU SURE** and **NO (NO)** will now be displayed. Use the **◀** or **▶** arrow button to change the **NO** to a **YES** and then press **ENTER**.
- **UNIT TEST** and **Stage OFF** will now be displayed. The variable speed indoor blower will then be turned on by the IFC for 10 seconds and then off.
- **UNIT TEST** and **Stage 2** will now be displayed. The Furnace IFC will now go to second stage heat. Forty-five seconds after flame is detected, the furnace will call for the variable speed indoor blower.
- **UNIT TEST** and **Stage 3** will now be displayed. The furnace IFC will ramp up the variable speed inducer motor and the indoor variable speed blower to third stage operation for a few seconds.
- **UNIT TEST** and **Stage 1** will now be displayed. The furnace IFC will ramp down the variable speed inducer motor and the indoor variable speed blower to first stage operation for a few seconds.
- The **Model** and **Serial Number** will be displayed.
- The variable speed indoor blower will now operate for the heat exchanger cool down cycle and then shut off at the end of the cycle.
- Reconnect the data wire to the D terminal of the furnace IFC.

STAND ALONE OPERATION (CONTINGENCY MODE)

The Contingency Mode allows the installer to set the equipment to operate in an ON/ OFF Duty Cycle mode. This mode will be activated using the User Interface. The user will select the desired level of capacity required, Stage 1, 2 or 3. The user will select the desired ON/ OFF Duty Cycle, 10% minimum to 50% maximum, (10% increments, 10% = 2 minutes On, 18 minutes Off; 50% = 10 minutes on, 10 minutes off).

CONTINGENCY MODE

- Stand alone operation can only be entered at the user interface.
- Stand alone operation can be set up to operate the furnace in **Heating Only**.
- The contingency mode is used when the communicating comfort Control is not communicating with the furnace or when setting gas pressures.
- Before attempting to enter contingency mode, disconnect the Data wire D from the Furnace IFC terminal block.
- The contingency mode will function only when the Furnace IFC is not flashing a fault code at its Fault LED.
- To enter the contingency mode of operation, turn 120 VAC power off. When the Green LED on the variable speed inducer drive goes out, turn 120 VAC power back on.
- Scroll down using the down arrow **▼** at the User Interface until you see **CNTNGNCY Mode**, then press the **Enter** button.
- **CNTNGNCY MODE** and **◀ STAGE ▶** will now be displayed. Press the **Enter** button.
- **STAGE** and **◀ OFF [OFF] ▶** will now be displayed. A First, Second or Third Stage of heat **must** be selected. Use the **◀** or **▶** arrows to select the stage of heat wanted and then push the **Enter** button and then the **▼** button.
- **DUTY CYCLE** and **10% [10%]** will now be displayed. A duty cycle **must** now be selected from 10 to 50%. A 10% duty cycle will run the furnace for 2 minutes and then off for 18 minutes. A 50% duty cycle will run the furnace for 10 minutes and then be off for 10 minutes. These duty cycles will be repeated 3 times per hour. Use the **◀** or **▶** arrows to select a duty cycle and then push the **Enter** button and then the **▼** button.
- **Start** and **NO [NO]** will now be displayed. With a **NO/NO** question being asked, use the **◀** or **▶** arrows to select the **YES** and then press the **ENTER** button.

Installer's Guide

- **Are you Sure and NO [NO]** will now be displayed. With a **NO/ NO** question being asked, use the ◀ or ▶ arrows to select the **YES** and then press the **ENTER** button.
 - Turn 120 VAC power off. When the Green LED on the variable speed inducer drive goes out, turn 120 VAC power back on.
 - When the furnace is operating in the contingency mode (stand alone operating cycle), the user interface will display the following information. The top line will say **CNTNGNCY MODE**. The bottom line will show the operating stage number **STG (1, 2, or 3)** selected, and the percent number **10-50 %** selected.
 - All furnace operating controls, pressure switches and communications between the IFC and the variable speed inducer drive and the variable speed indoor blower will be functional during continuous mode operation of the furnace.
 - The ◀ ▶ ▲ ▼ and **ENTER** buttons do not function in the contingency mode of operation.
 - To exit the contingency mode of operation turn off the 120 VAC power to the furnace.
 - The contingency mode (stand alone operation) will stop for any of the following reasons:
 - (1) If the furnace IFC receives a signal from the communicating comfort control. This will only happen if the data wire D from the comfort control has been reconnected to the furnace IFC terminal board terminal D.
 - (2) Power is removed from the furnace and then turned back on.
- Note: If a communicating comfort control is detected to be present and the contingency mode menu is selected, "NOT AVAILABLE" will be displayed on the user interface.
- (3) The Furnace IFC enters a **RESET** mode of operation.
 - (4) A fault is detected by the furnace IFC. Fault LED will be flashing an Alert Code.

IFC INDUCER LEARNING ROUTINE SEQUENCE

- The furnace IFC will go through an inducer learning routine for each stage of heat.
- The learning routine is done to determine the correct amount of ventilation air for complete combustion.
- The inducer motor speed for each stage may be different for each installation due to the different length and size of the ventilation pipe, vent pipe, number of pipe fittings used, and the type of vent cap installed.
- The inducer learning routine is repeated each time the furnace IFC is powered up and the furnace IFC receives a call for heat.
- To ensure the furnace heating efficiency is maintained the furnace IFC will repeat the inducer motor learning routine after :
 - 150 Cycles in First Stage Heat
 - 100 Cycles in Second Stage Heat
 - 50 Cycles in third Stage Heat
- The furnace IFC checks the pressure switches PS-1 and PS-2. They both have to be open before a heating cycle can begin.
- The furnace IFC sends a digital signal to the variable speed inducer drive to run the inducer motor at the preset factory second stage heat RPM.
- The furnace IFC waits for the PS-1 and PS-2 pressure switches to close. A 24 Volt AC signal is sent to the furnace IFC when a pressure switch closes.
- The furnace IFC will continue to signal the variable speed inducer drive to increase the inducer speed in steps if PS-1 and PS-2 are not closed when the preset factory second stage heat RPM is reached. The maximum RPM for stage two is set at 4400 RPM.
- When PS-1 and PS-2 switches close, the furnace IFC will then start the ignition cycle.
- The IFC now starts the igniter warm up cycle.
- Near the end of the warm up cycle the furnace IFC will turn on the gas valve.
- When the burner flame is detected by the furnace IFC, a forty-five second time delay for indoor blower operation begins. The forty-five second time delay allows the heat exchanger and the recuperative cell to warm up.
- The furnace IFC now signals the variable speed indoor blower to run at the programmed second stage heating airflow.
- The furnace IFC will now start its inducer second stage heat airflow learning routine.

- The furnace IFC will signal the variable speed inducer drive beginning to reduce the inducer motor speed in steps until the furnace IFC detects that PS-2 open.
- When PS-2 opens the furnace IFC will NOTE the inducer motor RPM.
- The furnace IFC then adds an additional number of RPM to the inducer motor second stage NOTED RPM until PS-2 closes.
- The additional number of RPM plus this NOTED RPM is the learned second stage inducer operating RPM.
- The furnace IFC now stores this learned operating inducer RPM for second stage heat in its memory.
- The furnace IFC will use this stored learned operating inducer RPM for second stage heat calls it receives in the future.
- If the furnace IFC is still receiving only a call for first stage operation it will now start the learning routine for first stage.
- The furnace IFC will then continue to reduce the inducer motor RPM in steps until the furnace IFC detects that PS-1 is open.
- When PS-1 opens, the furnace IFC signals the motor drive to increase the inducer speed by an additional number of RPM. This is the learned operating speed. NOTE this inducer motor RPM.
- The furnace IFC then adds an additional number of RPM to the first stage NOTED RPM until PS-1 closes.
- The furnace IFC now stores this learned operating inducer RPM in its memory and uses it for first stage heat calls it receives in the future.
- The IFC signals the indoor variable speed blower to operate at the programmed first stage heating airflow.
- Whenever the furnace is powered up or after a RESET, the furnace IFC will not go through a learning routine for the third stage of heat until it receives a call for the third stage of heat.

THIRD STAGE INDUCER LEARNING ROUTINE

- When the furnace IFC receives a digital signal for the third stage of heat from the comfort control it will begin the inducer motor learning routine for third stage heat.
- The furnace will start the heating cycle in second stage, if not already on, and then begins the third stage learning routine.
- The furnace checks pressure switch three, PS-3, it must be open.
- When the furnace IFC detects that PS-3 is open, it will send a digital signal to the variable speed inducer drive to run the inducer motor at the preset factory third stage RPM.
- The furnaces looks for the PS-3 pressure switch to close.
- The furnace IFC will continue to signal the variable speed inducer drive to increase the inducer motor speed in steps if PS-3 does not close when the preset factory third stage RPM is reached. The maximum RPM for the third stage heat is set at 5200 RPM.
- When the furnace IFC detects PS-3 close, it signals the variable speed indoor blower to operate at its third stage heating airflow.
- The furnace IFC enters a time delay so that the heat exchanger and the recuperative cell warm up to their third stage operating temperature. At the end of this time delay, the inducer discharge air temperature will be at its third stage operating temperature and the density of the products of combustion will be stabilize.
- The furnace will now signal the variable speed inducer drive to reduce the inducer speed in steps until PS-3 opens.
- When PS-3 opens, the furnace IFC signals the motor drive to increase the inducer speed by an additional number of RPM. This is the learned operating RPM.
- The furnace IFC will now store this learned operating inducer RPM in its memory and use it for third stage heat calls it receives in the future.
- If PS-3 is not closed when the inducer reaches 5200 RPM the furnace IFC will signal the variable speed inducer drive to reduce the inducer Motor speed in steps to its second stage LEARNED SPEED. The furnace IFC flashes its Red Fault LED three times repeatedly and also sends an Alert message to the comfort control. The furnace IFC will keep operating at second stage of heat until the comfort control sends a different signal.

Installer's Guide

CONTROL AND SAFETY SWITCH ADJUSTMENTS

LIMIT SWITCH CHECK OUT

The Limit Switch is a safety device designed to close the Gas Valve should the Furnace become overheated. Since proper operation of this switch is important to the safe operation of the unit, it **must be checked out on initial start up by the installer.**

To check for proper operation of the Limit Switches, set the Comfort Control to a temperature higher than the indicated room temperature to start the furnace. Restrict the airflow by blocking the return air (disconnecting the Indoor Blower may trip the Inducer Limit). When the Furnace reaches the maximum outlet temperature as shown on the rating plate, the burners must shut off. If they do not shut off after a reasonable time and overheating is evident, a faulty Limit Switch is probable and the Limit Switch must be replaced. After checking the operation of the Limit Control, be sure to remove the restriction from the return air inlet.

AIRFLOW ADJUSTMENT

Check inlet and outlet air temperatures to make sure they are within the range specified on the Furnace rating nameplate. If the airflow needs to be increased or decreased, see the Airflow Label on the Furnace or the unit's Service Facts for information on changing the speed of the Blower Motor for your specific model. Blower speed changes are made on the User Interface.

WARNING

ELECTRICAL SHOCK HAZARD
DO NOT TOUCH ANY COMPONENTS OTHER THAN THE DISPLAY ASSEMBLY AND THE DOOR SWITCH DURING THIS PROCEDURE.
FAILURE TO FOLLOW WARNING COULD RESULT IN SERIOUS PERSONAL INJURY OR DEATH.

WARNING

Disconnect power to the unit before removing the Blower door. Allow a minimum of 10 seconds for IFC Power Supply to discharge to 0 volts.
Failure to follow this warning could result in property damage, personal injury or death.

INDOOR BLOWER TIMING

Heating: The Integrated Furnace Control module controls the Indoor Blower. The Blower start is fixed at 45 seconds after ignition. The FAN-OFF period is field selectable by the User Interface at 60, 100, 140, or 180 seconds. The factory setting is 100 seconds.

WARNING

SAFETY HAZARD

MAKE SURE THAT THE BLOWER DOOR IS IN PLACE AND NOT AJAR. DANGEROUS FUMES COULD ESCAPE.
FAILURE TO FOLLOW WARNING COULD RESULT IN SERIOUS PERSONAL INJURY OR DEATH.

This unit is equipped with a Blower Door Switch which cuts power to the Furnace causing shutdown when the door is removed. Operation with the door removed or ajar can permit the escape of dangerous fumes. All panels must be securely closed at all times for safe operation of the Furnace.

NOTE TO INSTALLER

Review the following instructions with the homeowner. Review contents of USER'S INFORMATION MANUAL with the homeowner.

INSTRUCTIONS TO THE HOMEOWNER

In the event that electrical, fuel, or mechanical failures occur, the owner should immediately turn the Gas Supply off at the manual Gas Valve, located in the burner compartment. Also turn off electrical power to the Furnace and contact your dealer or a qualified service agent.

CONDITIONS AFFECTING FURNACE OPERATION

NOTE:

CONTINUOUS fan mode during COOLING operation may not be appropriate in humid climates. If the indoor air exceeds 60% relative humidity or simply feels uncomfortably humid, it is recommended that the fan only be used in the AUTO mode.

1. EXCESSIVE COMBUSTION PRESSURE (WIND IN EXCESS OF 40 M.P.H.) VENT OR FLUE BLOCKAGE

On a call for heat, the Variable Speed Draft Inducer must first ramp up to speed and close the Pressure Switch before the Ignition Sequence is allowed to begin. If the Pressure Switch does not close, the Motor will ramp up to maximum speed and continue to operate at maximum speed for about one minute. After one minute, the Integrated Furnace Control will turn the Motor off for about 30 seconds then back on in an attempt to reestablish proper operation. This condition is indicative of a highly restricted or blocked inlet or outlet Vent Pipe or a failed Pressure Switch.

If pressure against induced draft Blower outlet becomes excessive, the Pressure Switch will open. If the Pressure Switch is open for more than 3.5 seconds, the Variable Speed Draft Inducer will speed up and attempt to close the Pressure Switch.

If the Pressure Switch is not closed within 12 to 15 seconds or if the maximum speed of the Motor is reached, the Draft Inducer sends a Fault Signal to the Integrated Furnace Control. If the unit is operating in Third Stage, an Inducer Fault will cause the Furnace control to transition the system to Second Stage and it will operate there for 10 minutes before attempting to run again in Third Stage. If the unit is operating in Second Stage, an Inducer Fault will cause the Furnace control to transition the system to First Stage and it will operate there for 10 minutes before attempting to run again in Second Stage. If the unit is operating in First Stage, an Inducer Fault will cause the Furnace control to shut the system down and wait 30 seconds before attempting to reestablish operation in First Stage.

2. LOSS OF FLAME

If loss of flame occurs during a Heating Cycle, or flame is not present at the sensor, the Integrated Furnace Control (IFC) will close the Gas Valve. The Integrated Furnace Control will then recycle the Ignition Sequence. If Ignition is not achieved, it will shut off the Gas Valve and lock out the system.

3. POWER FAILURE

If there is a power failure during a Heating Cycle, the system will restart the Ignition Sequence automatically when power is restored, if the Comfort Control still calls for heat.

4. GAS SUPPLY FAILURE

If a gas supply failure occurs during a Heating Cycle, the system Integrated Furnace Control will recycle the Ignition Sequence, then if Ignition is not achieved, the Integrated Furnace Control will shut off the Gas Valve and lock out the system.

5. INDUCED DRAFT BLOWER FAILURE

Please refer to the "Communicating Control Service Troubleshooting" manual for diagnostic assistance.

6. CONDENSATE DRAIN BLOCKAGE

If the condensate drain is blocked, either by debris, improper draining, or by freezing condensate, the Pressure Switch will sense the accumulation of condensate in the Furnace drain pan.

The unit will not operate properly until the condensate drain has been cleared, and the condensate flows freely through the drain.

7. RESET AFTER LOCKOUT

When the Integrated Furnace Control has shut the system down and gone into lockout, the system may be manually reset. The system can be reset by turning the system power off.

8. RESET AFTER BURNER BOX LIMIT SHUT-DOWN

BURNER BOX TEMPERATURE LIMIT DEVICE

All models are equipped with a Manual Reset Temperature Limit located on the Burner Box. In case of excessive temperature, the Limit will open and cause the circuit to open which shuts off all flow of gas.

If the Furnace shuts down check the Burner Box Temperature Limit Switch. It is located on the bottom of the Burner Box. The Vent and Combustion Air Inlet terminations must first be checked for blockage. If blockage exists, clear the problem and then the Reset Button may be depressed. **If there is no blockage of the terminations, do not reset the Burner Box Limit Switch. A qualified service professional should be called to determine the problem and reset the Limit Switch.**

Installer's Guide

ALERT CODE RECOVERY

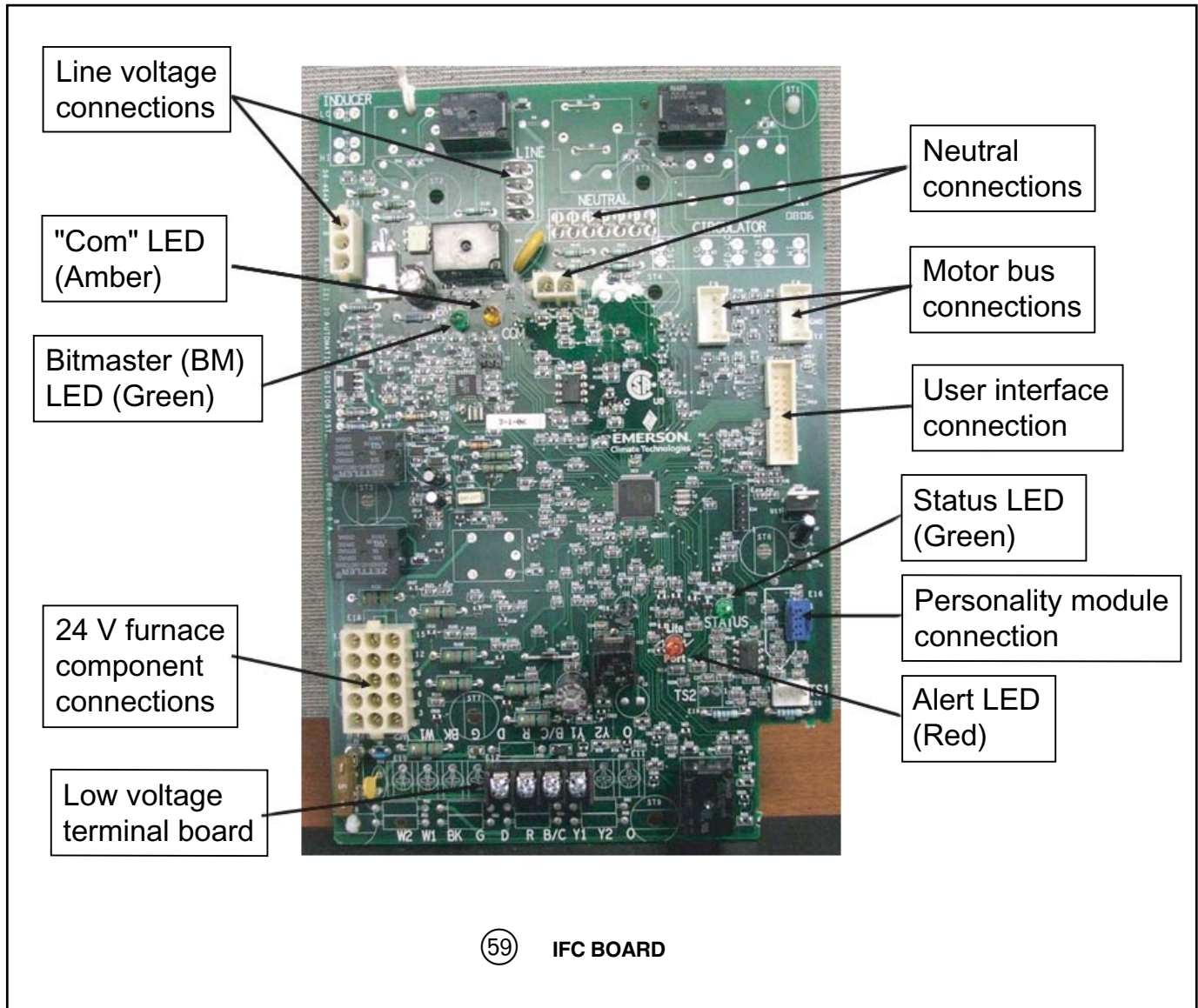
On power up, last 4 Alerts, if any, will be flashed on the Red Alert LED. The newest Alert detected will flash first and the oldest last. There will be a 2 second delay between Alert Code flashes. Solid Red LED error codes will not be displayed.

The Green BM LED will be on solid when the control is powered. The Green status LED indicator light will operate as shown in the table and the Red LED will flash (one flash) every 20 seconds.

NOTE:

Use the flash code menu for detail of the alerts. Alert codes also are displayed on the User Interface menu using a descriptive text message and on the comfort control display using an alert code number. A complete list of the alert codes is included with the comfort control.

LED	DESCRIPTION	FUNCTION
GREEN	STATUS LED	FAST FLASH - CALL FOR HEAT SLOW FLASH - NO CALL FOR HEAT
RED	ALERT LED	NO. OF FLASHES - SEE DIAGNOSTIC CODES
GREEN (BM)	BITMASTER	ON SOLID WHEN UNIT POWERED
AMBER	COM	FLASHES DEVICE COUNT



59 IFC BOARD

**TABLE 22- FURNACE
ALERT CODES**

Alert Notification				Alert Code	Alert Group	Alert Description
Fault LED	COM LED	User Interface Display	Control Display			
2 Flash	Device count	RECYCLE	N/A	20	Flame lost or Ignition failure	Flame is off when flame should be detected. Furnace tries to relight itself.
		RETRY				Furnace tries to light, but no flame is detected.
		RECYCLE LO	ERR 22	22	Soft lockout due to flame lost or ignition retries	10 recycles within a single call for heat will cause 1hr lockout.
		RETRY LO				3 ignition attempts in a row within a single call for heat results in 1 hr lockout.
3 Flash	Device count	PS3 OPEN	N/A	1	Pressure Switch Failure	Open Pressure Switch, third stage
		PS3 CLOSED				Shorted Pressure Switch, third stage
		PS2 OPEN				Open Pressure Switch, second stage
		PS2 CLOSED				Shorted Pressure Switch, second stage
		PS1 OPEN				Open Pressure Switch, first stage
		PS1 CLOSED				Shorted Pressure Switch, first stage
4 Flash	Device count	AUX LIMIT	ERR 26	26	High Temp Limit Fault	Open Reverse Flow - Heat exchanger temperature too high. Could be caused by low airflow or fan failure.
		HIGH LIMIT				Open High Limit - Heat exchanger temperature too high. Could be caused by low airflow or fan failure.
		ROLLOUT OPEN	ERR 87	87	Roll Out Fault	Open flame rollout
5 Flash	Device count	FLAME ERROR	ERR 34	34	Flame Detect Fault	Flame detected, should not be present
6 Flash	Device count	POLARITY ERR	N/A	33	Line Polarity Fault	Voltage reverse polarity
		GND FAULT	N/A	88	Ground Fault	Occurs when proper earth ground is not detected.
		IGNITER ERR	ERR 10	10	Ignition Means Fault	Igniter fault
		TRIAC ERR				Triac fault
7 Flash	Device count	EXT GV ERR	ERR 93	93	Gas Valve Fault	Control senses 24V present at the gas valve when it should not be present.
Solid ON		INT GV ERR				Control tried to turn on gas valve, but 24V not sensed.
8 Flash	Device count	LO FLAME SNS	N/A	4	Low Flame Signal	Flame current is low, but still strong enough to allow operation.
9 Flash	Device count	IND LIMIT	ERR 26	26	High Temp Limit Fault	Flue gas temperature too high. Could be caused by low airflow or fan failure.
10 Flash	Fast Flash	SYS COMM CRC	N/A	90	Communication Busy Fault	Comm system unrecognized response
		IND COMM CRC				Inducer Motor unrecognized response
		BLW COMM CRC				Blower motor unrecognized response
		BLW COMM ERR	ERR 91	91	Communication Fault	Blower motor no Comm response ¹
		IND COMM ERR				Inducer motor no Comm response
		SYS COMM ERR				Loss of heat/cool demand
		NO SYS CLK				Loss of clock signal
Solid ON	Device count	CNTRL FAULT	ERR 18	18	Control Failure	Internal control failure
None	Device count	TWIN ERROR	N/A	19	Twinning Fault	Twinning Not Allowed with Variable Speed
None	Device count	PM DATA ERR	N/A	114	Bad or Missing PM	Data Section is Corrupt but PM is useable
		CAP MISMATCH				Compressor size does not match capacity in PM
		ID MTR ERR	ERR 114			Blower HP/OEM does not match PM Data
		PM MISSING	N/A			No PM
		PM UNIT ERR	N/A			Primary Copy of Unit Data File is Corrupt.
		PM MEM ERROR	ERR 114			Primary and Secondary copies of Unit Data File are Corrupt
None	Device count	AC VOLTS LOW	N/A	59	AC Line Fault	Voltage too low
		AC VOLTS HI				Voltage too high
None	Device count	CHECK FUSE	N/A	92	Fuse	24V Fuse Open
None	Device count	Y1 OFF ERR	ERR 101	101	Y1 Relay Failure	Y1 Output OFF when it should be ON
		Y1 ON ERR				Y1 Output ON when it should be OFF
None	Device count	TS 1 SHORT	N/A	119	Temperature Sensor Failure	Temperature sensor 1 shorted.
		TS 1 OPEN				Temperature sensor 1 open.
		TS 2 SHORT				Temperature sensor 2 shorted.
		TS 2 OPEN				Temperature sensor 2 open.

Notes: ¹ Comfort Control will switch system to "OFF" until this fault condition clears



Trane
6200 Troup Highway
Tyler, TX 75707

03/08

For more information contact
your local dealer (distributor)

Since the manufacturer has a policy of continuous product and product data improvement, it reserves the right to change design and specifications without notice.