

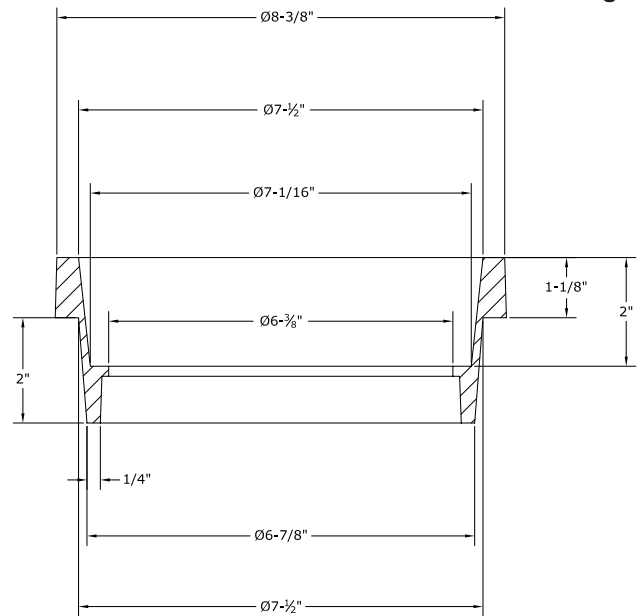
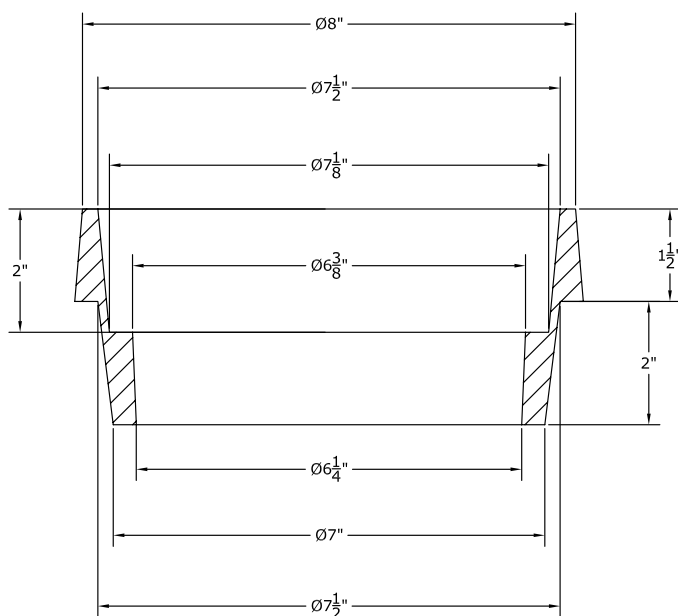
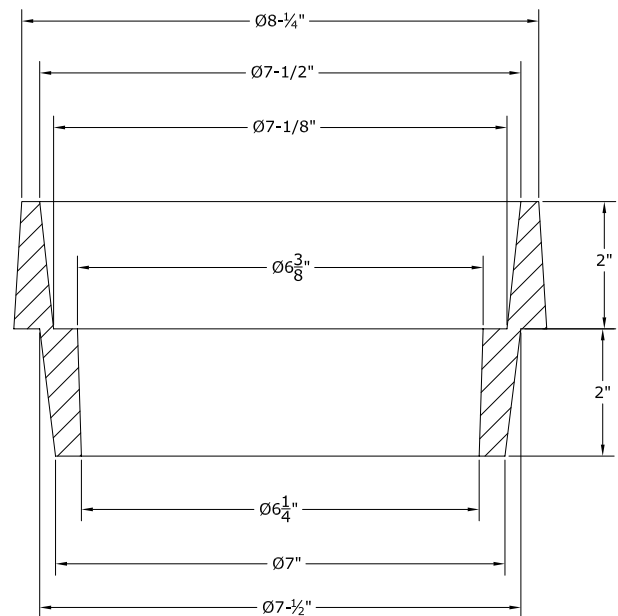
5-1/4" VALVE BOX RISER

Product Features

All valve boxes and related parts shall be coated on all surfaces with an asphaltic varnish of 2mm in thickness. For 4" through 12" valves.

Model Numbers

		Riser Size	Drawing No
IVBR514G	5-1/4" x 1" VLV BX RSR	1	1
IVBR514J	5-1/4" x 1-1/2" VLV BX RSR	1-1/2	2
IVBR514K	5-1/4" x 2" VLV BX RSR	2	3
IVBR514M	5-1/4" x 3" VLV BX RSR	3	4
IVBR514P	5-1/4" x 4" VLV BX RSR	4	5
IVBR514U	5-1/4" x 6" VLV BX RSR	6	6

Drawing 1

Drawing 2

Drawing 3


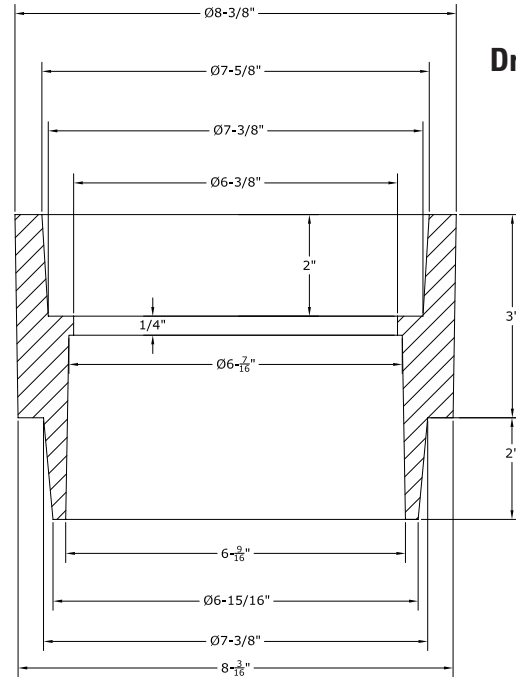
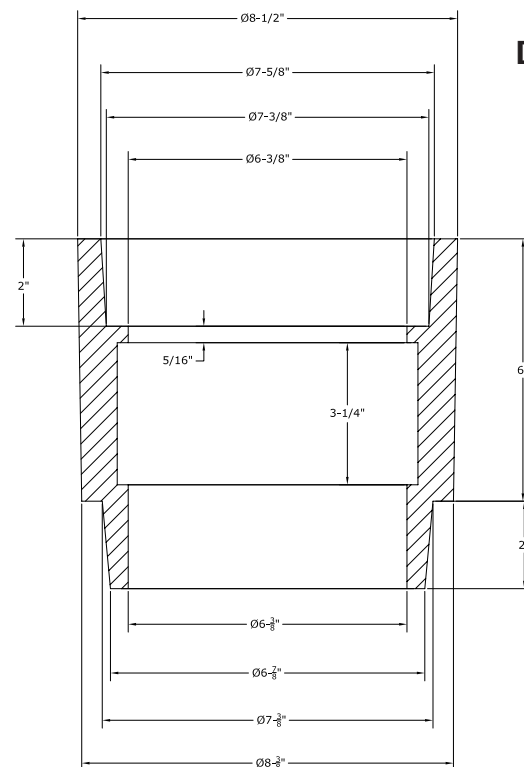
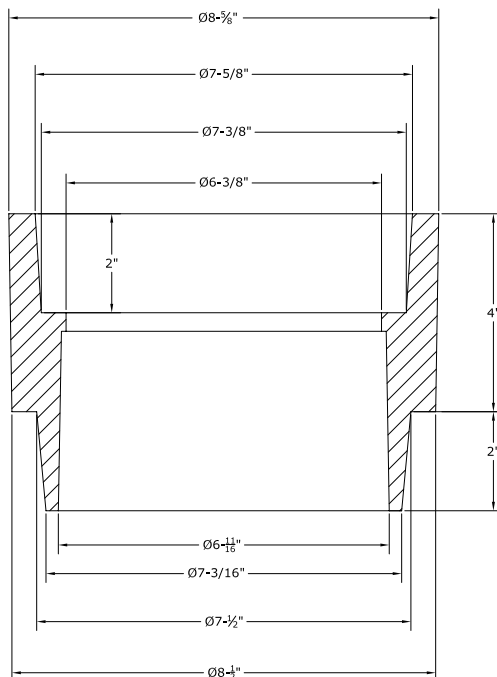
Codes & Approvals

Valve boxes conform to ASTM A-48, Grade 30B; Asphaltic varnish conforms to AWWA C-104.

5-1/4" VALVE BOX RISER (page 2)

Model Numbers

		Riser Size	Drawing No
IVBR514G	5-1/4" x 1" VLV BX RSR	1	1
IVBR514J	5-1/4" x 1-1/2" VLV BX RSR	1-1/2	2
IVBR514K	5-1/4" x 2" VLV BX RSR	2	3
IVBR514M	5-1/4" x 3" VLV BX RSR	3	4
IVBR514P	5-1/4" x 4" VLV BX RSR	4	5
IVBR514U	5-1/4" x 6" VLV BX RSR	6	6


Drawing 4
Drawing 5

Drawing 6

Codes & Approvals

Valve boxes conform to ASTM A-48, Grade 30B; Asphaltic varnish conforms to AWWA C-104.