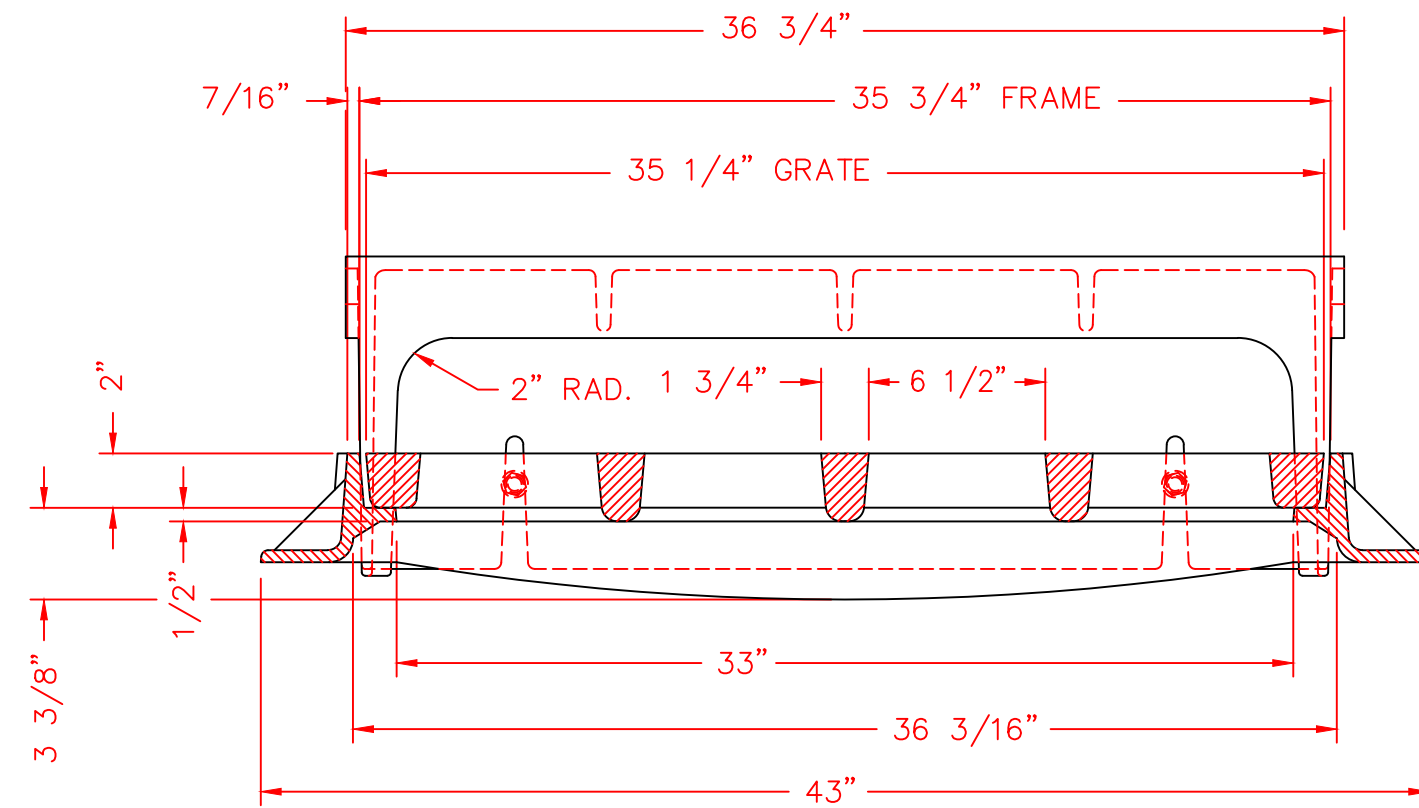
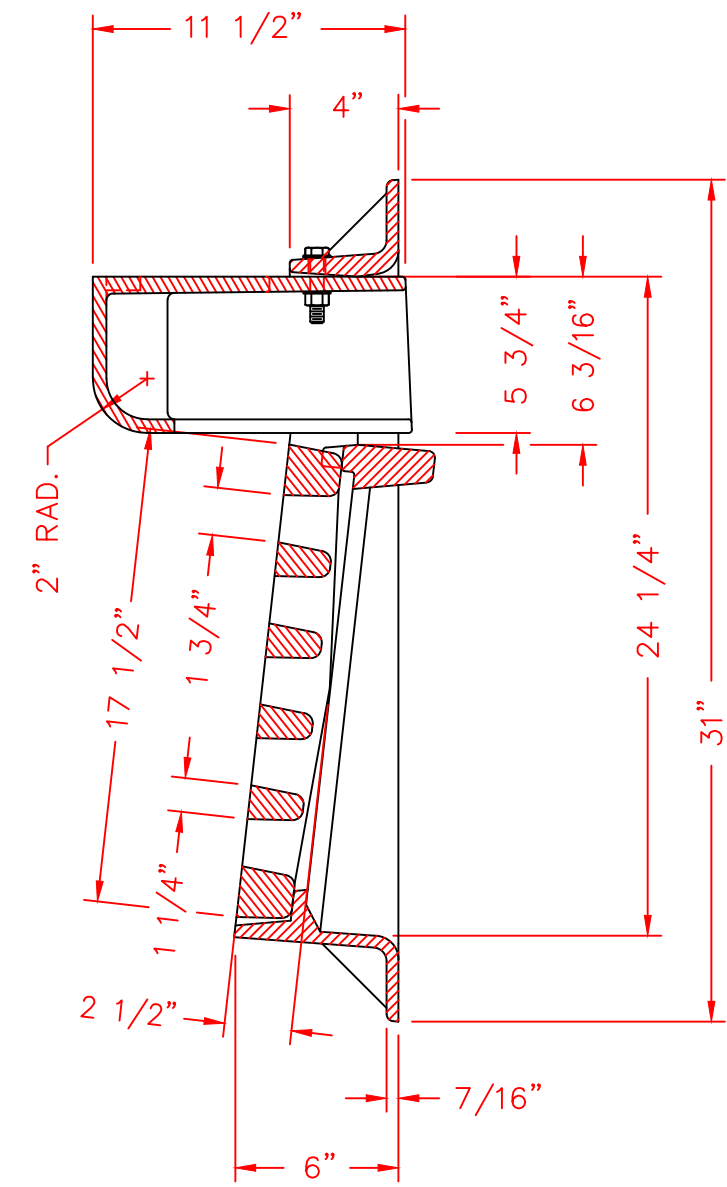
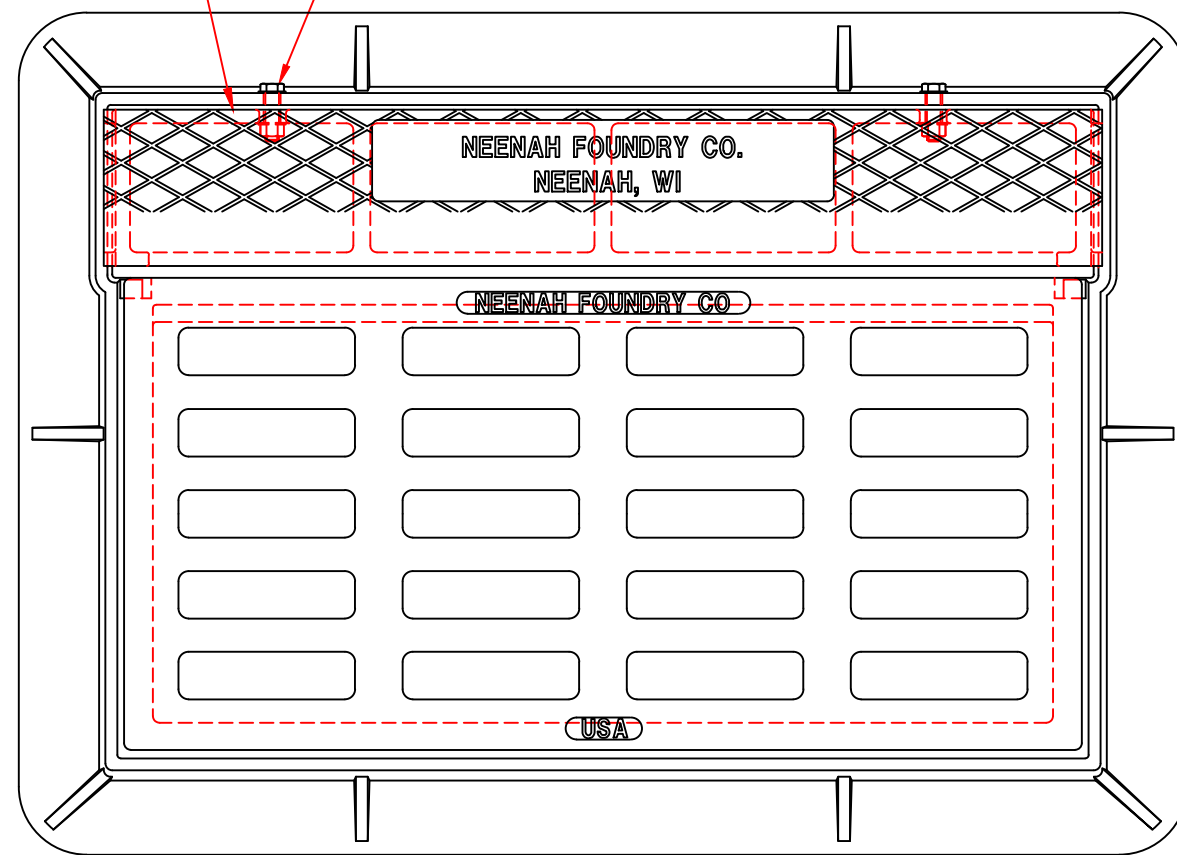


CHECKERED TOP DESIGN
 BOLT CURB BOX TO FRAME w/ (2)
 1/2 - 13 X 2 1/2 LONG STEEL HEX
 BOLTS, w/ HEX NUTS AND WASHERS



FREE OPEN AREA: 1.6 SQ. FT.
 COMPONENT NO'S: FRAME 3067-2000, GRATE 3290-3004, CURB BOX 3067-0003
 MATERIAL: CAST GRAY IRON ASTM A-48, CLASS 35B
 FINISH: NOT PAINTED
 WEIGHT: FRAME 204 LBS., GRATE 178 LBS., CURB BOX 114 LBS.

DR.	E. NIVER	SCALE	TITLE:
CH.		1/8"=1"	R-3290
APP.		DIM CHK.	FRAME, TYPE "C" GRATE AND CURB BOX
DATE	10-14-2010		NEENAH FOUNDRY COMPANY NEENAH WISCONSIN 54956