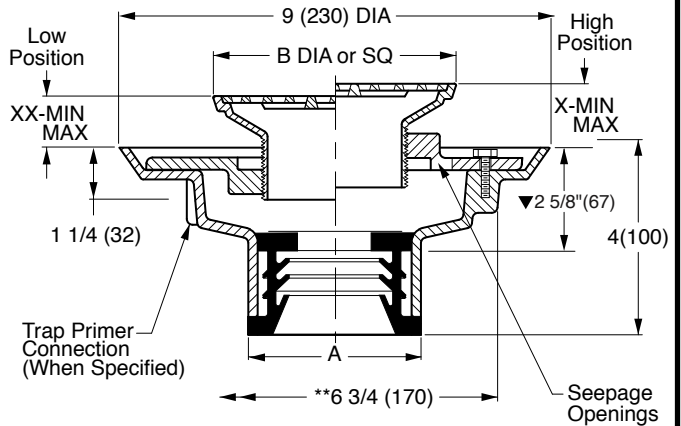
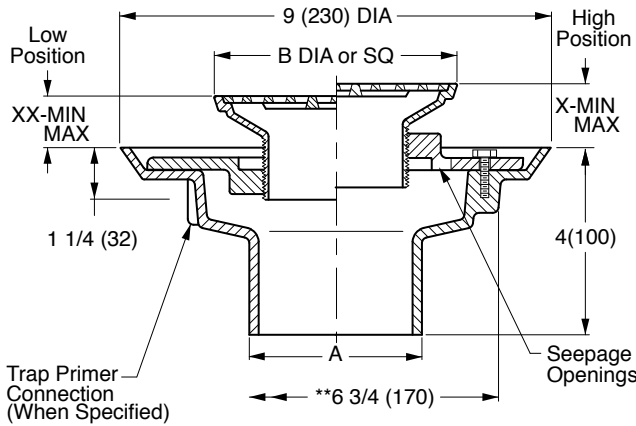


FLOOR OR SHOWER DRAINS WITH ADJUSTABLE STRAINER HEADS

General service floor drain for use in showers, toilets, kitchens and other finished areas where foot traffic is expected.

Load Rating: Light Duty having a Safe Live (Static) Load less than 2,000 lbs. (900 kg) per ASME A112.6.3 Floor Drain Standard. For the specific Safe Live Load rating of any grate, contact the Smith representative or factory direct.



A (Pipe Size) = 02(50), 03(75), 04(100), 05(125) or 06(150)

NO-HUB OUTLET

- Fig. 2005Y.....(A) ROUND TOP
- Fig. 2005Y.....(B) SQUARE TOP

SPEEDI-SET OUTLET

- Fig. 2005L.....(A) ROUND TOP
- Fig. 2005L.....(B) SQUARE TOP

Outlet Size	Nickel Bronze Strainer Head
▲ 02(50)	05(125) DIA or SQ
▲ 03(75)	06(150) DIA or SQ
▲ 04(100)	08(205) DIA or SQ

Strainer Size B DIA or SQ	*Collar In High Position X		*Collar In Low Position XX		Free Area SQ IN (SQ CM)	
	MIN	MAX	MIN	MAX	ROUND	SQUARE
05 (125)	1 1/4(32)	2 1/4(57)	3/4(19)	1 5/8(41)	7(45)	6.5(42)
06 (150)	1 1/4(32)	2 1/4(57)	3/4(19)	1 5/8(41)	9(58)	12.5(81)
07 (180)	1 1/4(32)	2 1/4(57)	7/8(22)	1 7/8(48)	14(90)	11(71)
08 (205)	1 1/2(38)	2 1/2(64)	1(25)	1 7/8(48)	17(110)	14(90)
*09 (230)	1 1/2(38)	2 3/8(60)	1(25)	1 7/8(48)	18(116)	16(103)
*10 (255)	1 1/2(38)	2 3/8(60)	1(25)	1 7/8(48)	23(48)	16(103)

- ▼ This dimension to internal stop of speedi-set gasket.
- Add 3/8"(10) to all min/max dimensions for round strainers.
- * Collar is reversible to obtain extreme high and low strainer positions.
- ** Not available for 5"(125) size strainer.
- ** MIN 6 3/4"(170) hole required for core drilled application.

REGULARLY FURNISHED:
 Duco Cast Iron Body with Flashing Collar and Adjustable Strainer Head as Indicated by Suffix Letter Selected.

- VARIATIONS:**
- Flapper Type Backwater Valve -V
 - ** Hinged Grate -H
 - L Speedi-Set Service Weight 2(50), 3(75) & 4"(100) only
 - LXH Speedi-Set Extra Heavy 2(50), 3(75) & 4"(100) only
 - Sediment Bucket -B
 - Trap Primer Connection -P050 1/2" (13) & -P075 3/4" (19)
 - Vandal Proof Screws -U
 - Wide Flanged Strainer (Specify Fig. DX2005)
 - T Threaded Outlet
 - Heelproof Grate -HP -AHP (Round) or -BHP (Square)
 - Quad Close Trap Seal (Specify Fig. 2692)

- OPTIONAL MATERIALS:**
- Bronze Body -BB
 - Chrome Plated Strainer -CP
 - Galvanized Cast Iron Body -G
 - Nickel Bronze Strainer -NB
 - Polished Bronze Strainer -PB
 - All Stainless Steel (Specify Fig. 9700)
 - Stainless Steel Strainers -SS [Available in 05(125) & 06(150) sizes only]

NOTE: Dimensions shown in parentheses are in millimeters.

▲ Meets ASME Standard A112.6.3-2001 02(50), 03(75) or 04"(100) sizes only.

SEE PM 0457 FOR OPTIONAL STRAINER HEADS.

DRAWING NUMBER S2005
 SCALE: NONE
 DATE: 5-17-85
 APPROVED BY: TD
 CHECKED BY: TD
 DRAWN BY: PJ
 FIGURE NUMBER 2005
 DIMENSIONS ARE SUBJECT TO MANUFACTURERS TOLERANCE AND CHANGE WITHOUT NOTICE
 WE CAN ASSUME NO RESPONSIBILITY FOR USE OF SUPERSEDED OR VOID DATA

U T S R	7-23-19 6-14-19 11-3-16 6-10-15	Added Load Rating Removed Function Revised Optional Materials Revised Variations	MW MW TBW TBW	JM JM CL CL	WEIGHT POUNDS	VOLUME CUBIC FEET	FIGURE NUMBER 2005
REV.	DATE	DESCRIPTION	BY	CKD. BY			