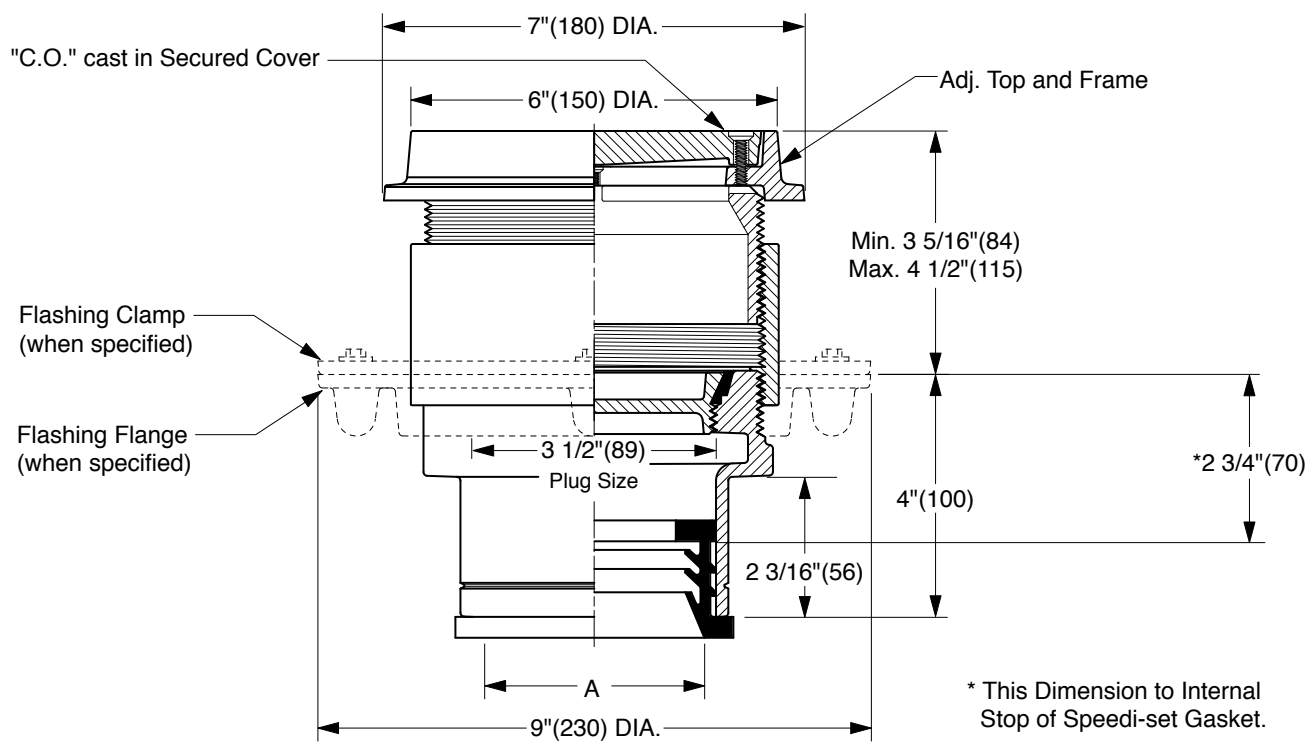


FLOOR CLEANOUTS WITH "TWIS-TO-FLOOR"® ADJUSTABLE TOPS FOR UNFINISHED AREAS

ROUND EXTRA HEAVY DUTY CAST IRON TOP

FUNCTION: Used in hospitals, schools, institutional and industrial buildings where floors are subject to heavy load traffic.



TWIS-TO-FLOOR® ADJUSTMENT
SPEEDI-SET OUTLET ▲

"A" (Pipe Size) = 02(50), 03(75) or 04(100)

- | | |
|--|--|
| <ul style="list-style-type: none"> <input type="checkbox"/> Fig. 4231L.....Gasket Seal - ABS Plug <input type="checkbox"/> Fig. 4232L.....Gasket Seal - Bronze Plug <input type="checkbox"/> Fig. 4233L.....Taper Thread - Bronze Plug <input type="checkbox"/> Fig. 4234L.....Taper Thread - ABS Plug | <p>(Twis-to-Floor® design shown with gasketed plug.)</p> <p>NOTE: Dimensions shown in parentheses are in millimeters.</p> |
|--|--|

REGULARLY FURNISHED:

Duco Cast Iron Cleanout with Round Adjustable Scoriated Secured Cast Iron Top. Closure Plug Type as Indicated By Figure Number Selected.

VARIATIONS:

- Flashing Flange -F
- Flange with Flashing Clamp -F-C
- Vandal Proof Top -U

▲ Available in Extra Heavy, Service Weight or NO-HUB.

OPTIONAL MATERIALS:

- Galvanized Cast Iron -G
- Ductile Iron Cover -M

DRAWING NUMBER S4231
SIZE A
SCALE: NONE
DATE: 2-16-70
APPROVED BY: JM
CHECKED BY: BH
DRAWN BY: RK
4231 SERIES
FIGURE NUMBER

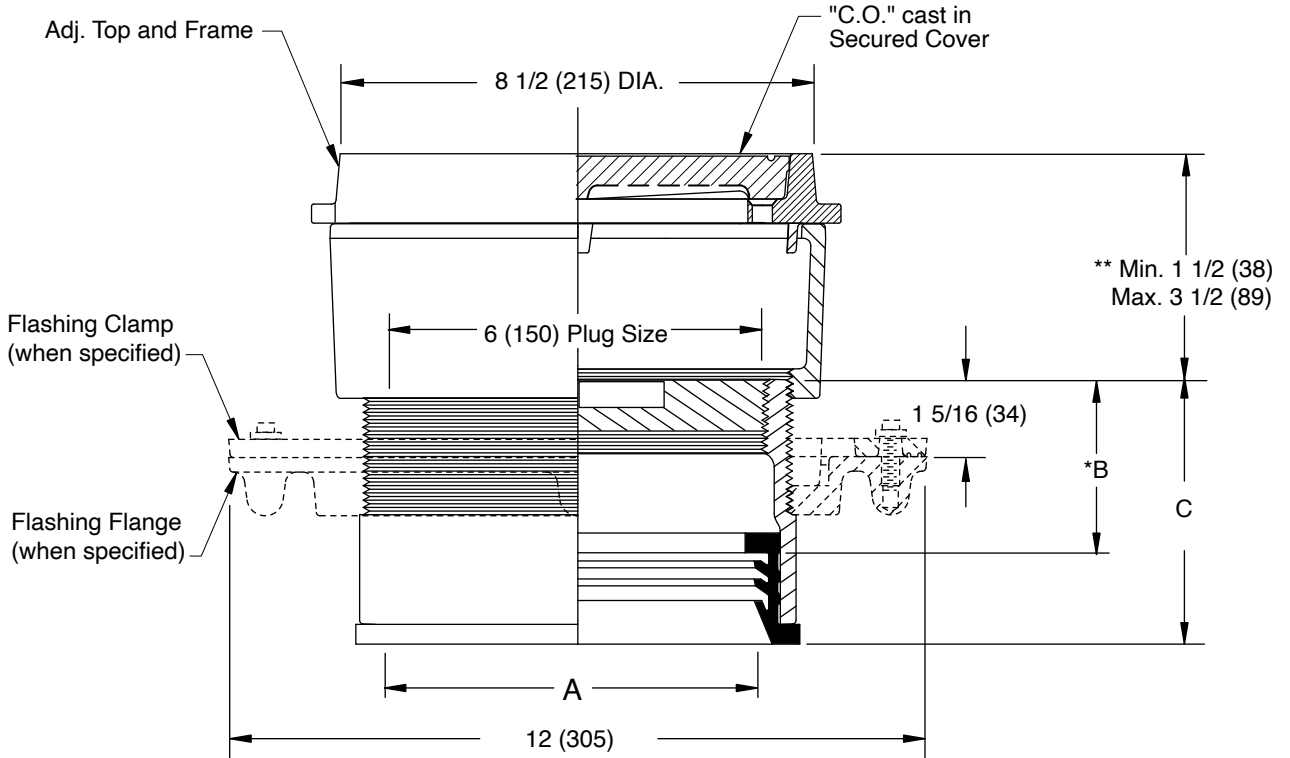
WE CAN ASSUME NO RESPONSIBILITY FOR USE OF SUPERSEDED OR VOID DATA
DIMENSIONS ARE SUBJECT TO MANUFACTURERS TOLERANCE AND CHANGE WITHOUT NOTICE

REV.	DATE	DESCRIPTION	BY	CKD. BY	WEIGHT POUNDS	VOLUME CUBIC FEET	FIGURE NUMBER 4231 SERIES

FLOOR CLEANOUTS WITH "TWIS-TO-FLOOR®" ADJUSTABLE TOPS FOR UNFINISHED AREAS

ROUND EXTRA HEAVY DUTY CAST IRON TOP

FUNCTION: Used in floors and areas where appearance of Cast Iron is satisfactory. Will withstand heavy load traffic.



SPEEDI-SET OUTLET ▲

"A" (Pipe Size) = 06(150) & 08(200)

A SIZE	B	C
06(150)	*3(76)	4 9/16(117)
08(200)	*3 1/4(83)	4 13/16(121)

"TWIS-TO-FLOOR®" ADJUSTMENT

SPEEDI-SET OUTLET ▲

Fig. 4233L.....Taper Thread - Bronze Plug

▲ SPEEDI-SET OUTLET

- L Service Weight - For Service Weight and No Hub Cast Iron Pipe (Available for all pipe sizes)
 - LXH Extra Heavy - For Extra Heavy Cast Iron Pipe (Available for all pipe sizes)
 - LXH Extra Heavy - For PVC Pipe (Available for 2", 3", 4", and 8" pipe sizes only)
 - LPVC Plastic Pipe - For PVC or ABS pipe (Available for 6" pipe size only)
- * This Dimension to Internal Stop of Speedi-Set Gasket.
 ** When Flange-F is specified Min. 1 1/2 (38) becomes 2 (51)

REGULARLY FURNISHED:

Duco Cast Iron Cleanout with Taper Thread Bronze Plug and Round Adjustable Scoriated Secured Cast Iron Top.

VARIATIONS:

- Flashing Flange -F
- Flange with Flashing Clamp -F-C
- Vandal Proof Top -U

OPTIONAL MATERIALS:

- Galvanized Cast Iron -G
- Ductile Iron Cover-M

NOTE: Dimensions shown in parentheses are in millimeters.

DRAWING NUMBER
S4231BS

SIZE
A

SCALE:
NONE

DATE:
5-5-06

APPROVED BY:
CEL

CHECKED BY:
CL

DRAWN BY:
RN

4233

FIGURE NUMBER

DIMENSIONS ARE SUBJECT TO MANUFACTURERS TOLERANCE AND CHANGE WITHOUT NOTICE

REV.	DATE	DESCRIPTION	BY	CKD. BY
A	10-9-2020	Rev./Added New ▲Note	MW	CR

WEIGHT POUNDS	VOLUME CUBIC FEET

FIGURE NUMBER
4233