



T&S BRASS AND BRONZE WORKS, INC.

2 Saddleback Cove / P.O. Box 1088
Travelers Rest, SC 29690



REG. #A2601
ISO #9001

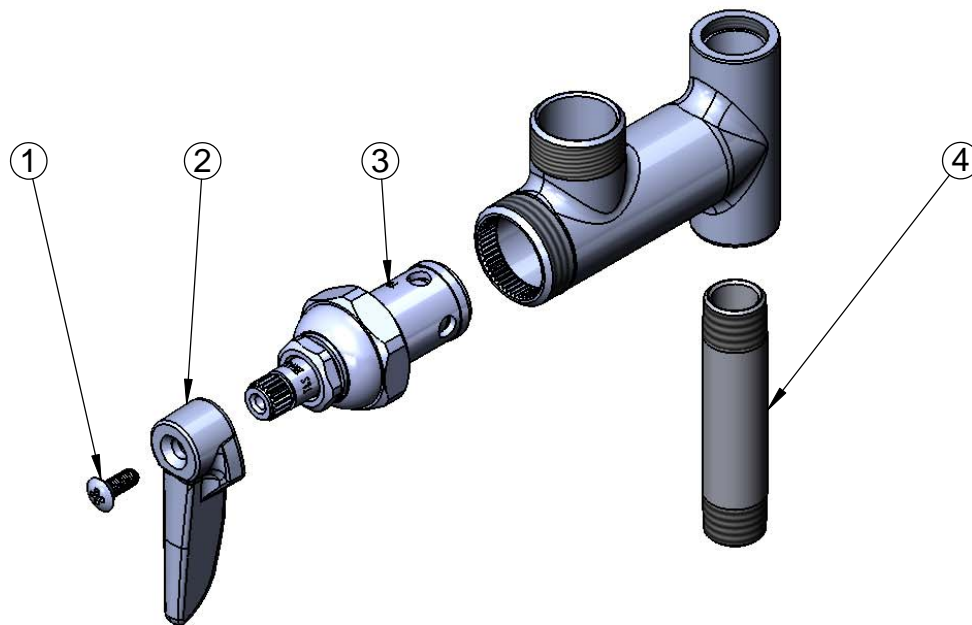
Model No.

B-0155-LN

Item No.

Travelers Rest, SC: 800-476-4103 • Simi Valley, CA: 800-423-0150 • Fax: 864-834-3518 • www.tsbrass.com

ITEM NO.	SALES NO.	DESCRIPTION
1	000922-45	Lever Handle Screw
2	001638-45	Lever Handle
3	007947-40	Quarter Turn Spindle Assembly
4	000358-40	Nipple, 3/8" NPT x 3" Lg



Product Specifications:

Add-On Faucet w/ 1/4 Turn Handle (Less Nozzle)

Drawn

DHL

Checked

DMH

Approved

JHB

Scale:

NTS

Date:

03/10/11