

P



JAY R. SMITH MFG. CO.®
 DIVISION OF SMITH INDUSTRIES, INC.
 POST OFFICE BOX 3237
 MONTGOMERY, ALABAMA 36109-0237 (USA)
 TEL: 334-277-8520 FAX: 334-272-7396 www.jrsmith.com



MEMBER OF:



LOCATION

DRAWING NUMBER
S4220

SIZE
A

SCALE:
NONE

DATE:
2-16-70

APPROVED BY:
JM

CHECKED BY:
BH

DRAWN BY:
RK

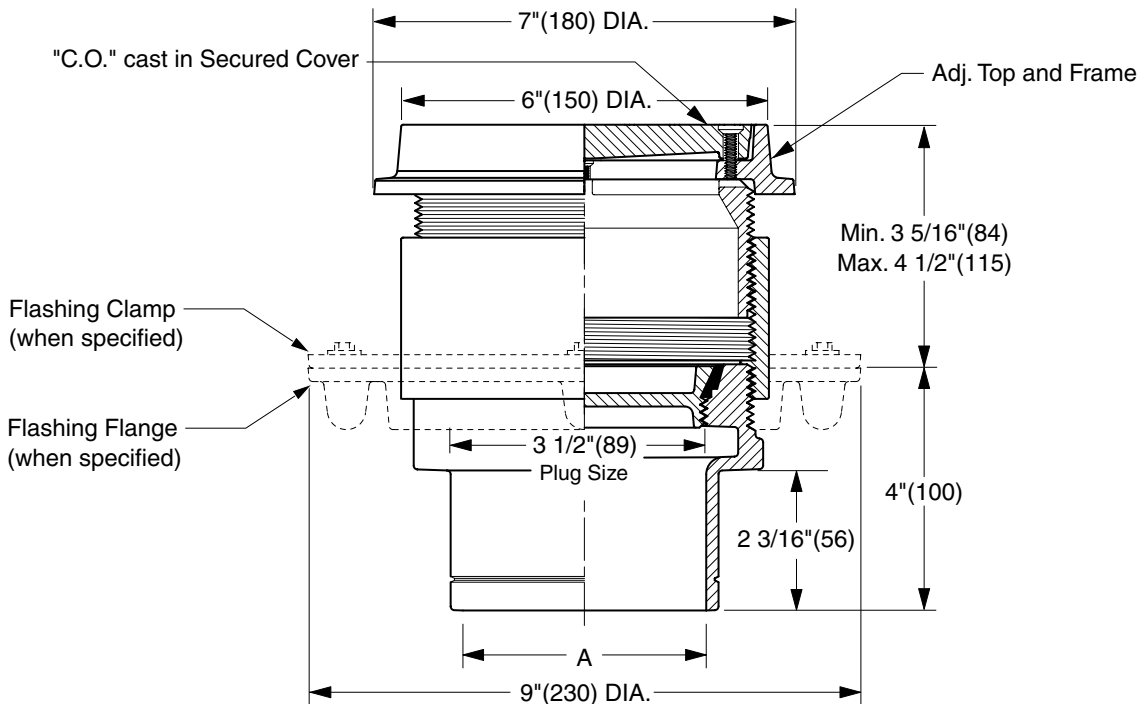
4220 SERIES

WE CAN ASSUME NO RESPONSIBILITY FOR USE OF SUPERSEDED OR VOID DATA
DIMENSIONS ARE SUBJECT TO MANUFACTURERS TOLERANCE AND CHANGE WITHOUT NOTICE

FLOOR CLEANOUTS WITH "TWIS-TO-FLOOR®" ADJUSTABLE TOPS FOR UNFINISHED AREAS

ROUND EXTRA HEAVY DUTY CAST IRON TOP

FUNCTION: Used in floors and areas where appearance of cast iron is satisfactory. Will withstand heavy load traffic.



TWIS-TO-FLOOR® ADJUSTMENT

NO-HUB OUTLET

"A" (Pipe Size) = 02(50), 03(75) or 04(100)

- Fig. 4220S.....Gasket Seal - ABS Plug
- Fig. 4221S.....Gasket Seal - Bronze Plug
- Fig. 4223S.....Taper Thread - Bronze Plug
- Fig. 4224S.....Taper Thread - ABS Plug

(Twis-to-Floor® design shown with gasketed plug.)

NOTE: Dimensions shown in parentheses are in millimeters.

REGULARLY FURNISHED:
 Duco Cast Iron Cleanout with Round Adjustable Scoriated Secured Cast Iron Top. Closure Plug Type as Indicated By Figure Number Selected.

- VARIATIONS:**
- Flashing Flange -F
 - Flange with Flashing Clamp -F-C
 - Vandal Proof Top -U

- OPTIONAL MATERIALS:**
- Galvanized Cast Iron -G
 - Ductile Iron Cover -M

REV.	DATE	DESCRIPTION	BY	CKD. BY
P N	05/08/07 12/17/04	Revised Outlet Text Added Width Dimension at Top	JJ JJ	CL CL

WEIGHT POUNDS	VOLUME CUBIC FEET

FIGURE NUMBER
4220 SERIES



JAY R. SMITH MFG. CO.
 DIVISION OF SMITH INDUSTRIES, INC.
 POST OFFICE BOX 3237
 MONTGOMERY, ALABAMA 36109-0237 (USA)
 TEL: 334-277-8520 FAX: 334-272-7396 www.jrsmith.com



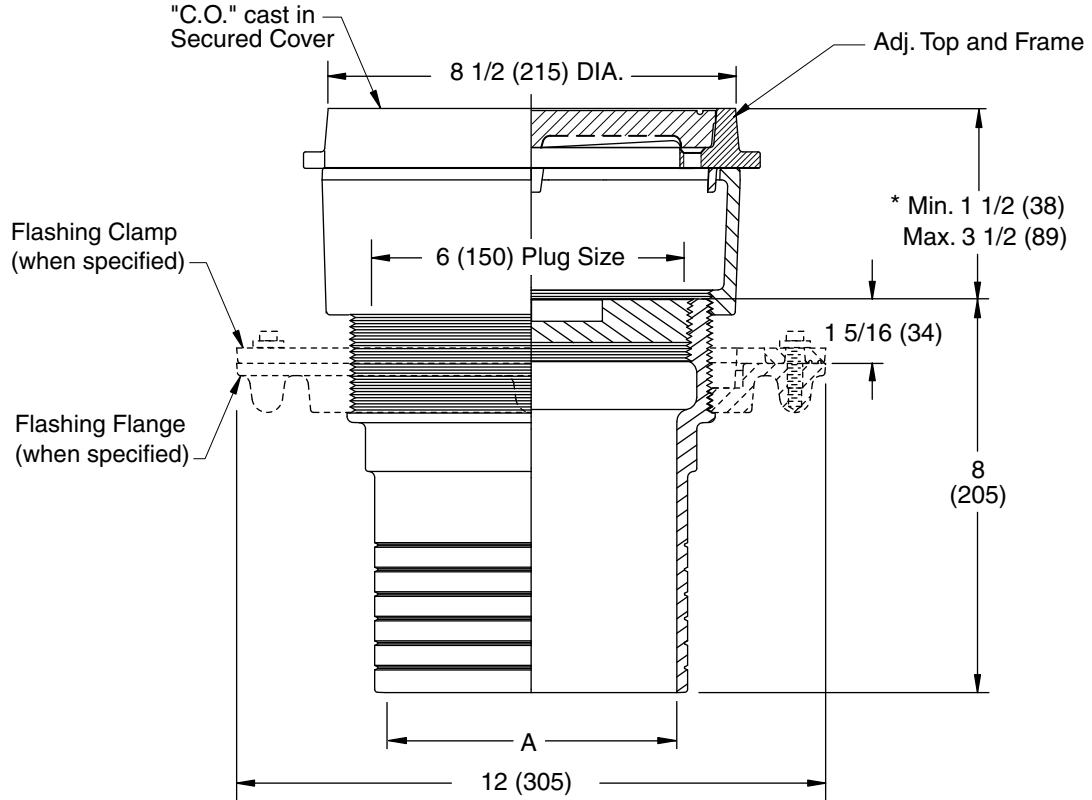
MEMBER OF:

LOCATION

FLOOR CLEANOUTS WITH "TWIS-TO-FLOOR®" ADJUSTABLE TOPS FOR UNFINISHED AREAS

ROUND EXTRA HEAVY DUTY CAST IRON TOP

FUNCTION: Used in floors and areas where appearance of Cast Iron is satisfactory. Will withstand heavy load traffic.



SPIGOT OUTLET ▲
 "A" (Pipe Size) = 06(150) & 08(200)

▲ Sized for Service Weight and/or NO-HUB.
 * When Flange-F is specified Min. 1 1/2 (38) becomes 2 (51)

"TWIS-TO-FLOOR®" ADJUSTMENT
 SPIGOT OUTLET ▲

Fig. 4223S.....Taper Thread - Bronze Plug

REGULARLY FURNISHED:
 Duco Cast Iron Cleanout with Taper Thread Bronze Plug and Round Adjustable Scoriated Secured Cast Iron Top.

VARIATIONS:

- Flashing Flange -F
- Flange with Flashing Clamp -F-C
- Vandal Proof Top -U

OPTIONAL MATERIALS:

- Galvanized Cast Iron -G
- Ductile Iron Cover-M

NOTE: Dimensions shown in parentheses are in millimeters.

DRAWING NUMBER
 S4220BS

SIZE
 A

SCALE:
 NONE

DATE:
 5-5-06

APPROVED BY:
 CEL

CHECKED BY:
 CL

DRAWN BY:
 RN

FIGURE NUMBER
 4223

DIMENSIONS ARE SUBJECT TO MANUFACTURERS TOLERANCE AND CHANGE WITHOUT NOTICE

REV.	DATE	DESCRIPTION	BY	CKD. BY

WEIGHT POUNDS	VOLUME CUBIC FEET

FIGURE NUMBER
4223