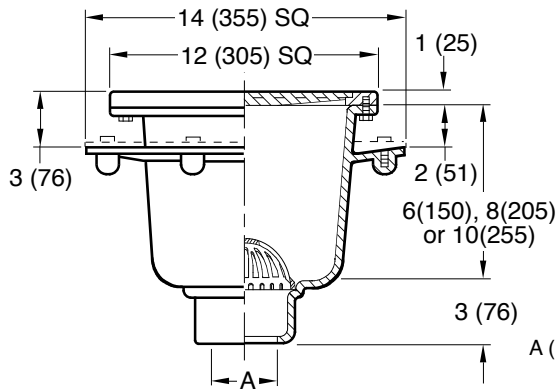


SANI-CEPTOR® ACID RESISTANT COATED FLOOR & INDIRECT WASTE DRAINS

 DRAWING NUMBER S3110
 SIZE A
 SCALE: NONE
 DATE: 9-19-85
 APPROVED BY: SJM
 CHECKED BY: JD
 DRAWN BY: PJ
 DIMENSIONS ARE SUBJECT TO MANUFACTURERS TOLERANCE AND CHANGE WITHOUT NOTICE

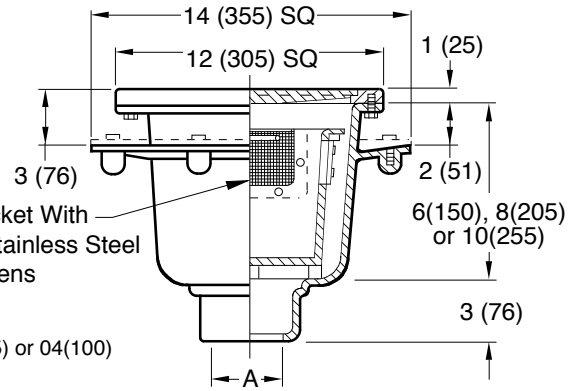
SQUARE NICKEL BRONZE TOP 12" (305) TOP - DAIRY DRAINS FOR QUARRY TILE FLOORS

FUNCTION: Used in creameries, dairies, breweries and other locations which utilize a quarry tile floor requiring a 3" (76) flange to top dimension. The ported sediment bucket catches all solids yet provides ample drainage.



WITH DOME BOTTOM STRAINER

Free Area
42 SQ IN
(271) SQ CM



WITH SEDIMENT BUCKET

- | | |
|--|---|
| 6"(150) deep 8"(205) deep 10"(255) deep
Fig. ... <input type="checkbox"/> 3110C ... <input type="checkbox"/> 3120C ... <input type="checkbox"/> 3130C ... CAULK OUTLET ...
Fig. ... <input type="checkbox"/> 3110Y ... <input type="checkbox"/> 3120Y ... <input type="checkbox"/> 3130Y ... NO-HUB OUTLET ... | 6"(150) deep 8"(205) deep 10"(255) deep
Fig. ... <input type="checkbox"/> 3111C ... <input type="checkbox"/> 3121C ... <input type="checkbox"/> 3131C
Fig. ... <input type="checkbox"/> 3111Y ... <input type="checkbox"/> 3121Y ... <input type="checkbox"/> 3131Y |
|--|---|

FEATURES, OPTIONS & ORDERING INFORMATION

REGULARLY FURNISHED: Cast Iron Flanged Receptor with Seepage Holes, Acid Resistant Coated Interior, Nickel Bronze Rim and Secured ADA Grate. Aluminum Dome Bottom Strainer or Sediment Bucket as Indicated by Figure Number.

- OPTIONAL MATERIALS:**
- All Duco Cast Iron Receptor -C1
 - All Galvanized Receptor -G

- VARIATIONS:**
- Aluminum Flat Bottom Strainer -FBS
 - ABS Slotted Sediment Bucket -ASB (in place of ported bucket)
 - Flashing Clamp -C
 - Less Flange (Specify Fig. 3125,3126 only with Caulk Outlet only)

- Polished Aluminum Dome Bottom Strainer -PDBS
- Solid Bottom Ported Sediment Bucket with Stainless Steel Mesh Screens -SBP
- Vandal Proof Grate -U
- L Speedi-set® Service Weight 02(50), 03(75) & 04"(100) sizes only
- LXH Speedi-Set® Extra Heavy 02(50), 03(75) & 04"(100) sizes only

NOTE: Dimensions shown in parentheses are in millimeters.

SUFFIX NUMBER	SQUARE RIM	DESCRIPTION
<input type="checkbox"/>	-10	Less NB Rim and Grate
<input type="checkbox"/>	-11	Less Grate w/NB Rim
<input type="checkbox"/>	-12	With NB Rim and 1/2 Grate
<input type="checkbox"/>	-13	With NB Rim and 3/4 Grate
<input type="checkbox"/>	-14	With NB Rim and Grate with 2 1/2" (64) SQ Center Hole
<input type="checkbox"/>	-15	With NB Rim and Aluminum Recessed Grate
<input type="checkbox"/>	-19	With NB Rim and Hinged ADA Grate
<input type="checkbox"/>	-21	With NB Rim and Grate with 4" (100) DIA NB Funnel
<input type="checkbox"/>	-22	With NB Rim and Grate with 6" (150) DIA NB Funnel
<input type="checkbox"/>	-25	With NB Rim and Grate with 8 1/4(210) x 3 1/4(83) x 4 1/2"(115) High Oval NB Funnel
<input type="checkbox"/>	-26	With NB Rim and Grate with 6(150) x 2 1/2(64) x 1"(25) High Oval NB Funnel
<input type="checkbox"/>	-41	With NB Rim and Solid Cover
<input type="checkbox"/>	-42	With NB Rim and 1/2 Solid Cover
<input type="checkbox"/>	-43	With NB Rim and 3/4 Solid Cover
<input type="checkbox"/>	-44	With NB Rim and Solid Cover with 2 1/2" (64) DIA Center Hole
<input type="checkbox"/>	-69	With NB Rim and XH Stainless Steel Secured ADA Grate

REV.	DATE	DESCRIPTION	BY	CKD. BY	WEIGHT POUNDS	VOLUME CUBIC FEET	FIGURE NUMBER 3110-3131 SERIES