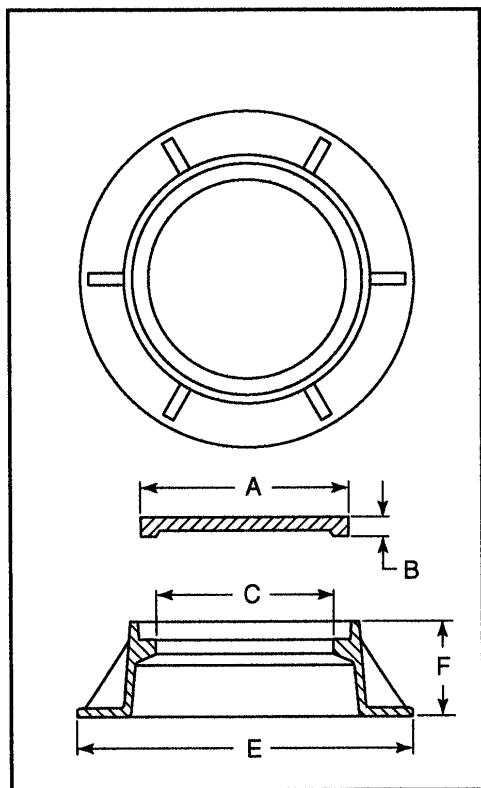


## Manhole Frames and Lids

The following table summarizes many of the standard and special manhole frames and lids currently available. The table is organized by clear opening "C" to assist you in dimensional searching. All catalog items are organized numerically in the pages that follow.

Catalog No.	Dimensions in inches				
	A	B	C	E	F
R-1909-6	6 1/2	1 1/2	5 1/16	7 7/16	6 1/2
R-1970	7	2 1/8	5 3/4	13 1/8	7
R-1971	8	3/4	6 1/2	10 1/2	10
R-1973-1	7 3/4	3/4	6 3/4	13 1/4	7
R-1973-A	8 7/8	11/16	7 3/4	15 3/4	8
R-1974-A	9	1	8	16	6 1/2
R-1792-AL	10 1/4	1 1/2	8 1/2	14 1/2	4
R-1975	9 1/2	1/2	8 1/2	20	11
R-1977	11 1/2	1 1/2	8 1/2	16	12
R-1975-A	9 7/8	7/8	9	15 1/2	6
R-1975-A2	10	1	9 1/4	16	8
R-1976	11 1/4	1 1/4	10	20	8
R-1791-A	12	1	11	19	4
R-1795-A	12 1/16	1	11	19 x 19	4
R-1914-A	12	1/2	11	20	4
R-1914-B	12	1/2	11	20	4
R-1916-A	12	1 1/8	11	19	4
R-1792-BL	13 1/4	1 1/2	11 1/2	17 1/2	4
R-1911-B	15	1	11 3/4	27 1/4	4
R-1748	13 3/8	3/8	12 1/2	16	4
R-1791-B	15 1/4	3/8	14 1/2	20 1/2	4 1/4
R-1792-CL	16 1/4	1 1/2	14 1/2	20 1/2	4
R-1910-E	15 1/4	3/8	14 1/2	20 1/2	4 3/4
R-1910-B	15 5/8	1 3/8	14 11/16	23	4 11/16
R-1791-C	15 5/8	1 3/8	14 3/4	21	4 3/4
R-1910-C	15 5/8	1 3/8	14 3/4	21	4 3/4
R-1795-B	15 5/8	1 3/8	15	23 x 23	5
R-1910-D	15 5/8	1 3/8	15	22	3
R-1891	16 9/16	1	15 1/8	21 3/4	4 3/8

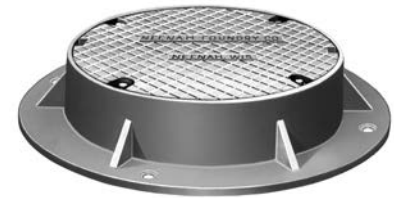
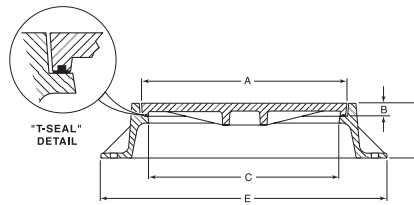
Catalog No.	Dimensions in inches				
	A	B	C	E	F
R-1792-DL	18 1/4	1 1/2	16 1/2	22 1/2	4
R-1900-A	18	1 1/4	16 3/4	30	8
R-1791-E	18	1	17	25	4 1/2
R-1910-A	18	1	17	25	4 1/2
R-1916-B	18	1	17	25	4 1/2
R-1799-D	19 3/4	1	17 1/2	21 3/4	1 5/8
R-1795-C	19 1/2	1 1/2	17 3/4	29 1/2 x 29 1/2	5 1/2
R-1566	20	2 3/16	18	29	4
R-1755-B	23	1 1/2	18	36	9
R-1758-B	23	1 1/2	18	36	9
R-1791-F	20 1/2	5/8	18	30	5
R-1791-G	19 1/2	1 1/2	18	29	5 1/2
R-1796-B	19 1/2	1 1/2	18	29	5 1/2
R-1799-E	19 1/2	1 1/2	18	21 1/4	2
R-1892	20 1/16	1	18 5/8	29	5 3/8
R-1645-A	20 3/8	1 1/2	18 7/8	19 5/8	4
R-1551	21 1/8	1 3/8	19 1/2	37	9 5/8
R-1890	20 5/8	3/4	19 1/2	34	9
R-1920	21 3/4	1	19 3/4	32 1/4	8 3/4
R-1500	22	1 1/2	20	33	8
R-1510-A	22	1 1/2	20	32	6
R-1645	22 3/4	1 3/4	20	25	4 1/2
R-1700-A	22	1 1/2	20	36	6 1/2
R-1705	21 3/4	1 3/8	20	30	9 3/4
R-1707	22 1/2	1 1/2	20	34	9 1/2
R-1710	22	1 1/2	20	35	9
R-1755-C	24	1 1/2	20	35	7 1/2
R-1758-C	24	1 1/2	20	35	7 1/2
R-1765	22 1/4	1 1/2	20	32	8 3/4
R-1784	21 3/4	1 1/8	20	36	8 1/2
R-1795-D	22	1 1/2	20	32 x 32	6
R-1795-E	22	1 1/2	20	33 x 33	8
R-1796-C	22	1 1/2	20	32	6
R-1897	21 3/4	1 1/4	20	30 1/2 x 30 1/2	6 1/4
R-1915-S1	21 1/2	7/8	20 1/16	32	5
R-1661	22 3/4	1 1/2	20 3/32	37 13/32	9 27/32
R-1661-A	22 3/4	1 1/2	20 3/32	37 13/32	6
R-1570-A	22 7/8	1 1/4	20 1/8	32	7
R-1524-B	22 1/2	2 5/8	20 1/4	34 1/4	6 1/4
R-1799-G	22 1/4	1 1/2	20 3/8	24 3/8	2 1/4
R-1690	22	1 1/2	20 15/32	27 9/16	4
R-1580	22 1/2	1 3/4	20 1/2	36	6
R-1689	23	1 1/2	20 1/2	36	4
R-1690-A	22	1 1/2	20 1/2	28	4
R-1696	21 7/8	5/8	20 1/2	39	6
R-1711-A	22	1 1/2	20 1/2	30	6
R-1711-B	22	1 1/2	20 1/2	30	6
R-1761	22	1 1/2	20 1/2	28 1/4	6
R-1779	21 3/4	1	20 1/2	33	8 1/4
R-1792-EL	22 1/4	1 1/2	20 1/2	26 1/2	4
R-1799-H	22 3/4	1 3/4	20 1/2	25 1/2	3
R-1916-C1	24	1 3/8	20 5/8	31	6
R-1537	22 1/4	1	20 3/4	24 7/8	4
R-1919	22 3/4	1 3/4	20 3/4	32 3/8	5 1/2
R-1530	23	1 3/4	20 7/8	36	9
R-1540	23	1 1/2	21	36	9
R-1916-C	23	1 1/2	21	36	9
R-1550-LM	23	1 1/2	21	36	9
R-1672	22 3/4	1 3/4	21	31 1/8	14 1/2
R-1677-A	22 3/4	1 3/4	21	36	9
R-1680	22 5/8	2 1/4	21	32	7
R-1712	22 3/4	1 3/4	21	36	9
R-1713	22 3/4	1 3/4	21	34	9
R-1715	22 3/4	1 3/4	21	36	9
R-1737	22 1/4	1 1/8	21	24 7/8	4



## R-1916 Series Watertight Manhole Frame, Bolted Lid

### Heavy Duty

Gasket sealed and bolted lid (stainless steel bolts are standard) make this casting ideal for subaqueous installation. For built-up manholes only. Also suited for low pressure, gas or steamtight application up to 20 psi. For higher pressure application, please send specifications. Lids furnished with Type "F" concealed pickholes (see p.16). Units are furnished with four 1" anchor holes – anchor bolts not furnished. Units are shipped assembled with T-gasket glued to lid, except **R-1916-A** and **R-1916-B**, which have flat gasket. Note: Bolting pads reduce effective clear opening (Dimension C) by 2" to 3". If "C" dimension is critical, select larger size. See **R-6462 Series** for more watertight units in 4" height.



Illustrating R-1916-F

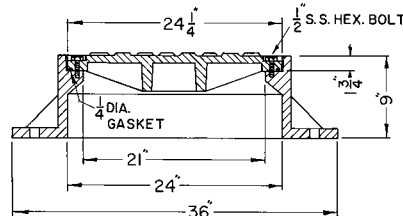
Dimensions in inches

Catalog No.	A	B	C	E	F	Cover Bolt Quantity	Anchor Bolt Circle
R-1916-A	12	1 1/8	11	19	4	4	17
R-1916-B	18	1	17	25	4 1/2	4	22
R-1916-C	23	1 1/2	21	36	9	4	30
R-1916-C1	24	1 3/8	20 5/8	31	6	6	28
R-1916-D	24	1 1/2	21 5/8	35	7 1/2	4	31-3/4
R-1916-E	25	1 1/2	23	38	9	4	34
R-1916-F	26	1 1/2	24	36	7	4	33
R-1916-H	32	1 1/2	30	46	7	6	42
R-1916-H1	31 3/4	1 3/4	30	39 1/4	6	4	36-1/4
R-1916-K	38	1 1/2	36	49	10	6	46

## R-1916-C2 Water-Resistant Manhole Frame, Bolted Lid

### Heavy Duty

Standard frame is furnished with twelve 1-1/2" anchor holes on 31" diameter bolt circle. Note: Frame is also available with four 1" anchor holes on 31" diameter bolt circle. Furnished only when specified.



## R-1916-T Water-Resistant Manhole Frame, Gasket, Bolted Lid

### Heavy Duty

Furnished with four 1" anchor holes on 32" diameter bolt circle. Four 1" wide slots for anchor bolts. Furnished with machined horizontal and vertical bearing surfaces. Units are shipped assembled with gasket glued to frame.

