

Features

- Vitreous china.
- Elongated bowl.
- 10" (254 mm) or 12" (305 mm) rough-in.
- 1-1/2" top spud.
- 2-1/4" (57 mm) passageway.
- 11" (279 mm) x 9" (229 mm) water area.
- 1.28 gpf (4.8 lpf) or 1.6 gpf (6.0 lpf) depending on flushometer specified.
- 28-1/4" (718 mm) x 14-7/8" (378 mm) x 17-1/8" (435 mm).

Recommended Accessories

4654

K- 4654-A Commercial Toilet Seat

K- 4670-CA Commercial Toilet Seat

K- 4731-C Commercial Heavy-duty Toilet Seat

K- 4731-SC Commercial Heavy-duty Toilet Seat

K- 10673 WAVE DC 0.5 GPF Urinal Flushometer

K- 10956 Tripoint™ DC 1.28 GPF WC Flushometer

K- 13517 Manual 1.28 GPF WC Flushometer

Components

Additional included component/s: Spud, and Bolt cap accessory pack.



ADA

CSA B651

Codes/Standards

ASME A112.19.2/CSA B45.1

DOE - Energy Policy Act 1992

ADA

ICC/ANSI A117.1





CSA B651

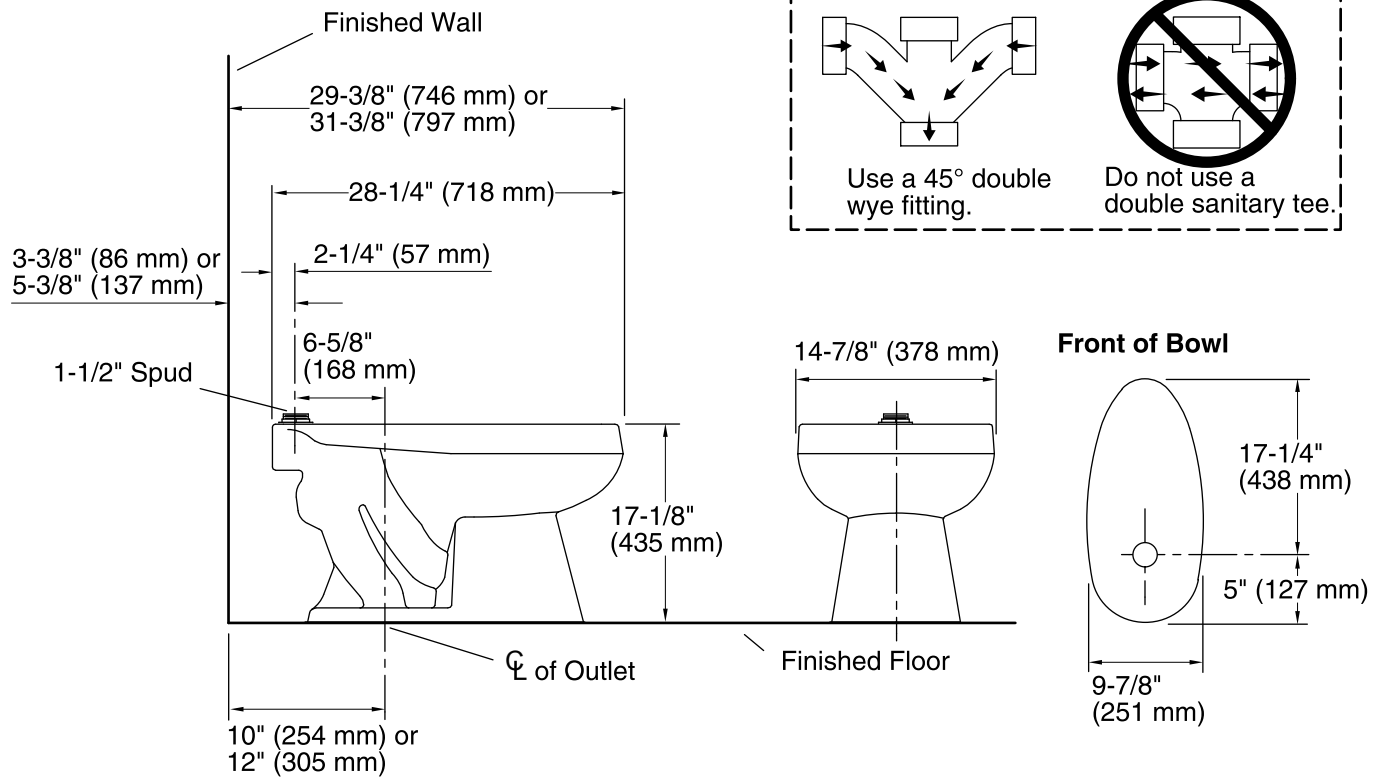
KOHLER® One-Year Limited Warranty

See website for detailed warranty information.

Available Color/Finishes

Color tiles intended for reference only.

Color	Code	Description
	0	White
	96	Biscuit
	47	Almond
	7	Black Black™



Technical Information

All product dimensions are nominal.

Bowl shape:	Elongated front
Spud size:	1-1/2", Inlet, Top
Trap passageway:	2-1/4" (57 mm)
Water surface size:	11" x 9" (279 mm x 229 mm)
Rim to water surface:	6" (152 mm)
Rough-in:	10" or 12" (254 or 305 mm)
Seat-mounting holes:	5-1/2" (140 mm)

Fixture Supply Requirements

Min static pressure:	35 psi (241.3 kPa)
Max static pressure:	80 psi (551.6 kPa)
Min flow rate:	25 gpm (94.6 lpm)

Notes

Install this product according to the installation guide.

For back-to-back toilet installations: Use only a 45° double wye fitting.

ADA, CSA B651 compliant when installed to the specific requirements of these regulations.

The Model Plumbing Codes require the installation of elongated open-front toilet seats on public bathrooms.