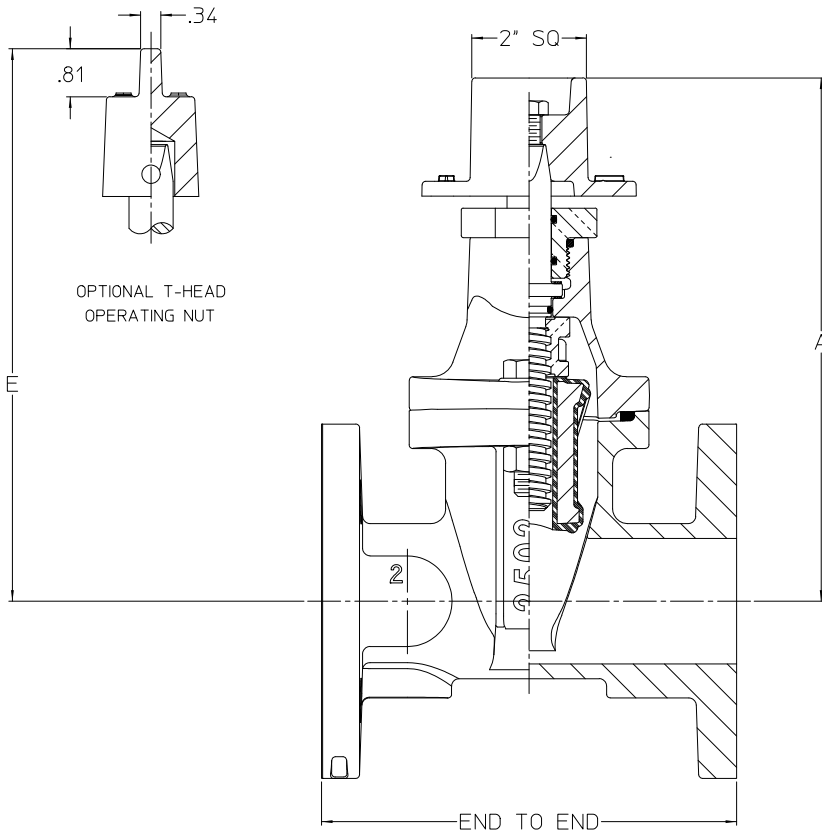
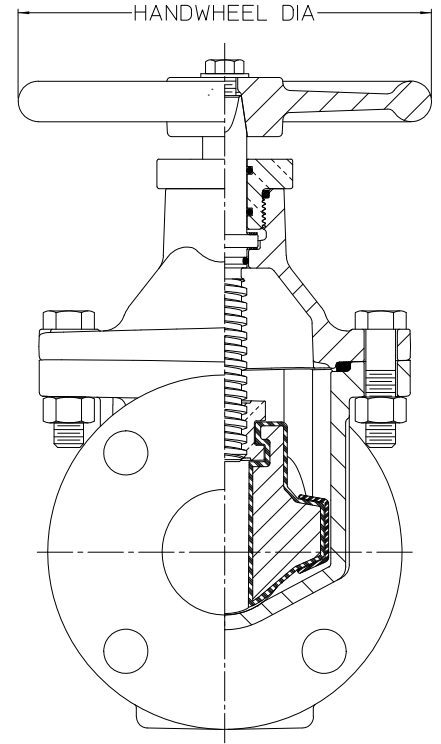


AMERICAN Flow Control Submittal Information

2" & 2-1/2" SERIES 2500-1 RESILIENT WEDGE GATE VALVE, NRS

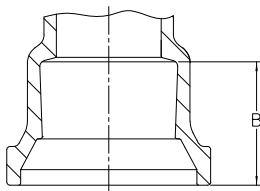


SHOWN WITH 2" OPERATING NUT

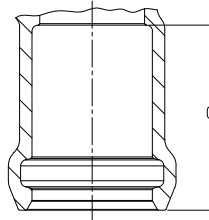


SHOWN WITH OPTIONAL HANDWHEEL

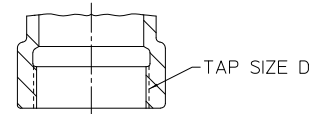
IL4181



MECHANICAL JOINT (MJ)



PVC



THREADED (SCREW)

OPTIONAL END CONNECTIONS

DIMENSION	VALVE SIZE	
	2"	2-1/2"
End to End - MJ/MJ	7.75	-
End to End - FL/FL	7.00	7.50
End to End - PVC/PVC	10.75	10.88
End to End - Threaded	5.00	7.00
A	8.86	9.68
B	2.50	-
C	3.75	4.00
D	2 NPT	2-1/2 NPT
E	9.36	10.17
Handwheel Diameter	7.00	7.00
No. of Turns to open	9	11

NOTES:

1. Bolt pattern of flanged ends are in accordance with ASME B16.1, Class 125.
2. PVC ends are for steel (IPS) sizes of PVC or steel pipe.
3. Threaded ends are in accordance with ASME B16.4, Class 125 (see dimension D).



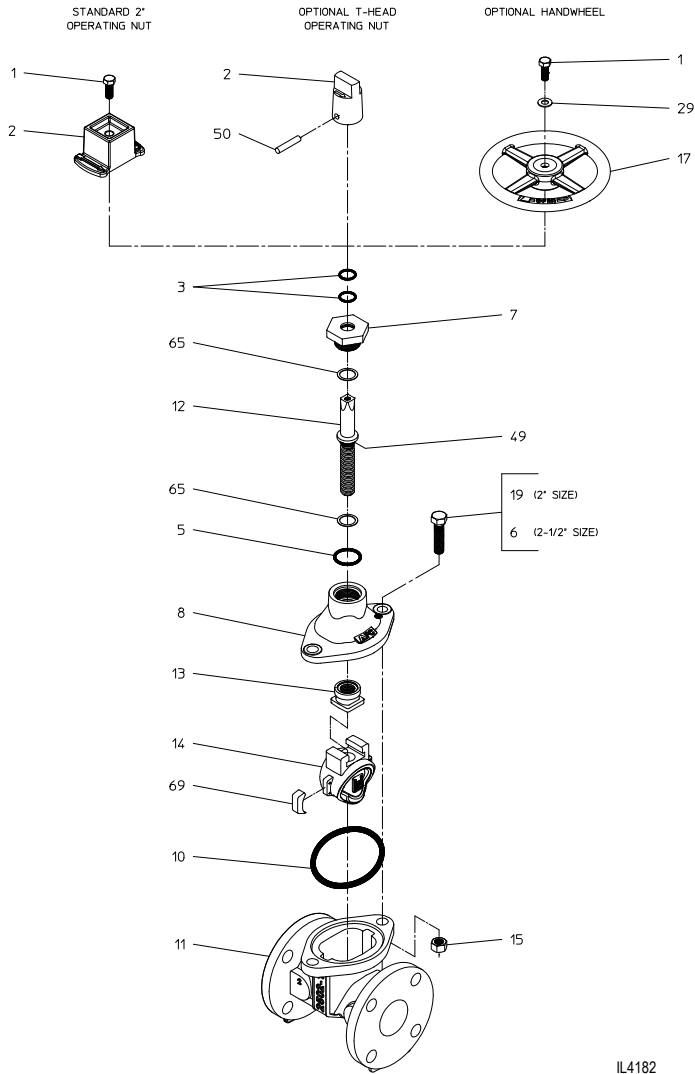
AMERICAN
FLOW CONTROL

THE RIGHT WAY

AMERICAN Flow Control
P.O. Box 2727
Birmingham, Al. 35202-2727
Phone: 1-800-326-8051
Fax: 1-800-610-3569
E-mail: afcsales@american-usa.com

Waterous Company
125 Hardman Avenue South
South St. Paul, Mn. 55075-1191
Phone: 1-888-266-3686
Fax: 1-800-601-2809
E-mail: afcsales@american-usa.com

WWW.AMERICAN-USA.COM



REF NO.	DESCRIPTION	MATERIAL
1	Hex Head Bolt, 3/8-16 x 1"	304 Stainless Steel
2	Operating Nut	2" Square & T-Head: Ductile Iron, ASTM A536
3	O-Ring	Rubber
5	Stuffing Box Gasket	Rubber O-ring
6	Hex Head Bolt, 5/8-11 x 1-3/4"	304 Stainless Steel
7	Stuffing Box	Free Cutting Brass, ASTM B283
8	Bonnet	Ductile Iron, ASTM A536
10	Bonnet Gasket	Rubber O-ring
11	Body	Ductile Iron, ASTM A536
12	Stem	304 Stainless Steel
13	Wedge Nut	Silicon Bronze, ASTM B584
14	Resilient Wedge	EPDM Rubber Encapsulated Ductile Iron, ASTM A536
15	Hex Nut, 1/2-13 (2" Size) Hex Nut, 5/8-11 (2-1/2" Size)	304 Stainless Steel
17	Handwheel	Ductile Iron, ASTM A536
19	Hex Head Bolt, 1/2-13 x 2"	304 Stainless Steel
29	Flat Washer, 3/8	304 Stainless Steel
49	O-Ring	Rubber
50	Spirol Pin, 5/16 x 1-1/2"	302 Stainless Steel
65	Thrust Washer	304 Stainless Steel
69	Wedge Cover	Acetal Polymer

OPTIONAL MATERIALS ARE AS FOLLOWS

BOLTS and NUTS: 316 Stainless Steel
STEM: 316 Stainless Steel

Open Direction: Left (C.C.W.) Right (C.W.)

NOTES:

1. Available in configurations that are UL Listed and FM Approved with 250 psig rated working pressure.
2. Meets applicable requirements of ANSI/AWWA C515 with 250 psig rated working pressure although the standard does not cover valves smaller than 3-inch.
3. Fusion-bonded epoxy-coated in accordance with ANSI/AWWA C550.
4. Certified to NSF/ANSI/CAN 61 & 372.

Construction shown is typical of the 2-inch size with flanged end connections and is illustrative only. Construction of other sizes and end connection types vary slightly. See elsewhere on this submittal for specific details.

IL4182



AMERICAN
FLOW CONTROL

THE RIGHT WAY

AMERICAN Flow Control
P.O. Box 2727
Birmingham, Al. 35202-2727
Phone: 1-800-326-8051
Fax: 1-800-610-3569
E-mail: afcsales@american-usa.com

Waterous Company
125 Hardman Avenue South
South St. Paul, Mn. 55075-1191
Phone: 1-888-266-3686
Fax: 1-800-601-2809
E-mail: afcsales@american-usa.com

WWW.AMERICAN-USA.COM