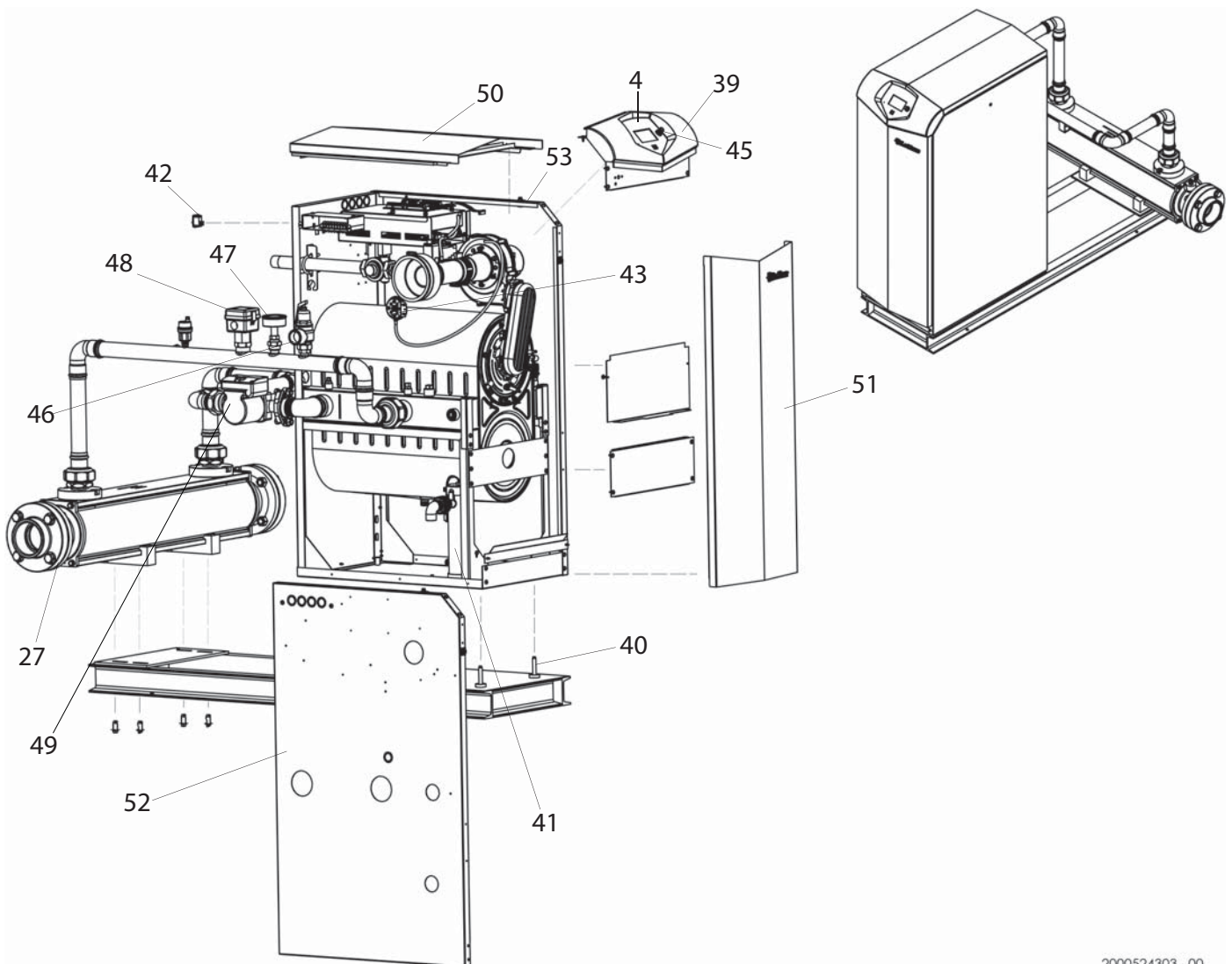




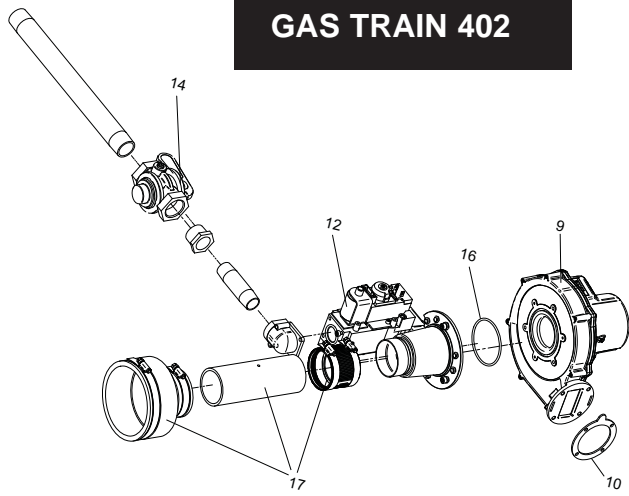
Replacement Parts List

PARTS & SERVICE DEPARTMENT
 Nashville, Tennessee
 615-889-8900 • Fax: 615-882-2918
 parts_team@lochinvar.com
 www.Lochinvar.com

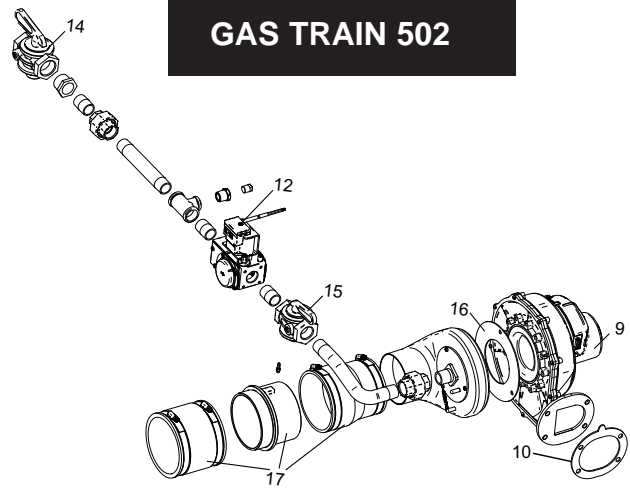
KnightXL®
AQUAS™ COMMERCIAL POOL PACKAGE
XP 402 - 802



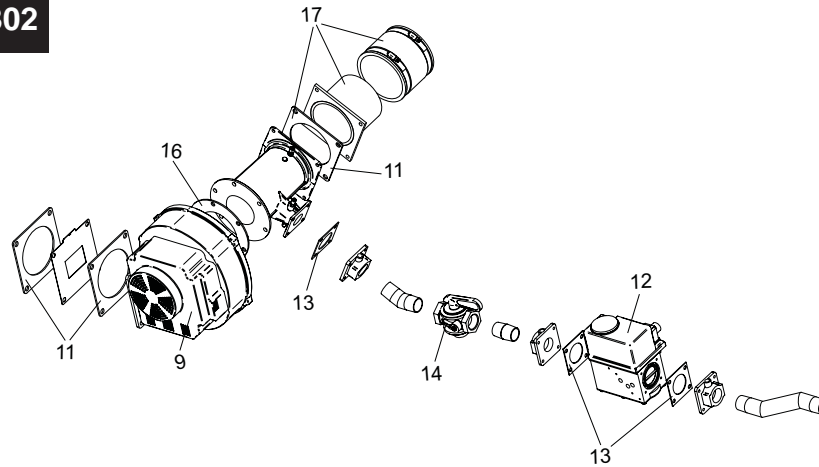
GAS TRAIN 402



GAS TRAIN 502

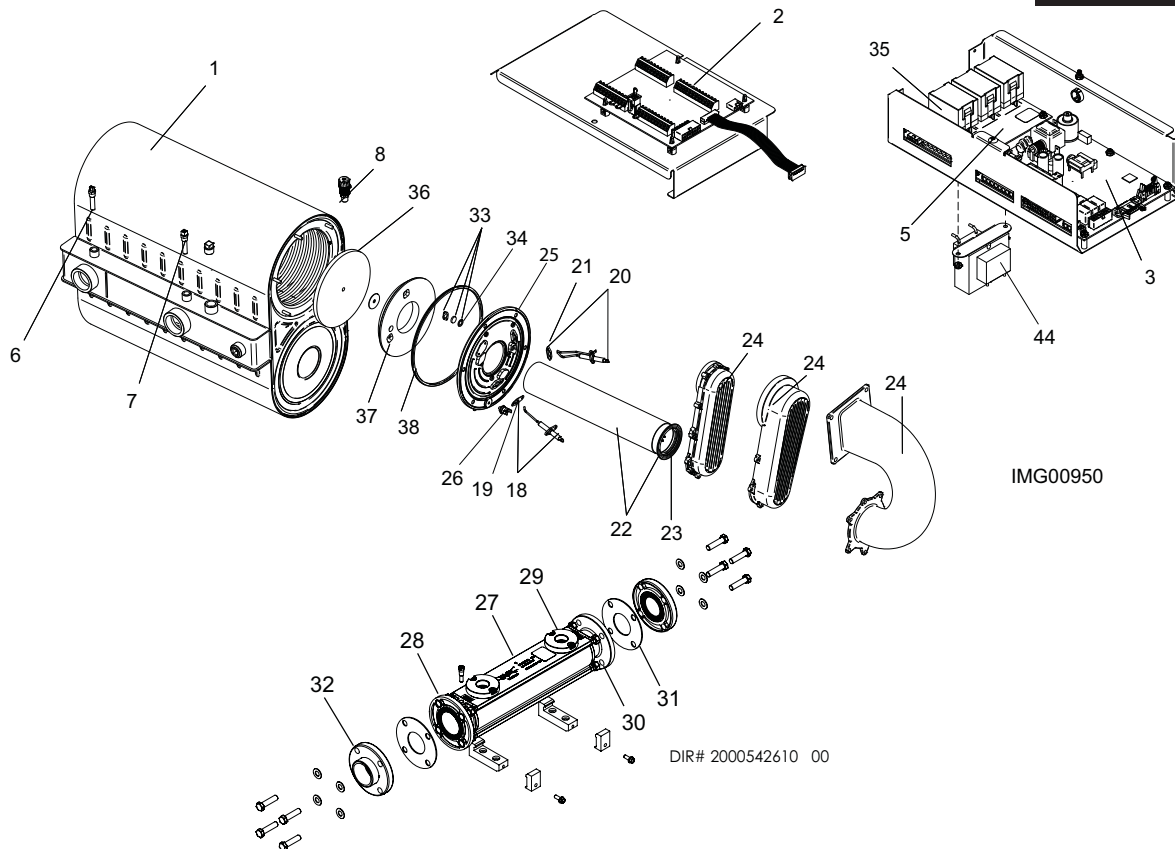


GAS TRAIN 602-802



PRIMARY HEAT EXCHANGER

CONTROL PANEL



IMG00950

DIR# 2000542610 00

SECONDARY/AUXILIARY HEAT EXCHANGER

ITEM NO.	PART NO.	DESCRIPTION	MODEL
HEAT EXCHANGER ASSEMBLY			
1	100147457	HEAT EXCHANGER	XP 402
1	100147458	HEAT EXCHANGER	XP 502
1	100147460	HEAT EXCHANGER	XP 602
1	100147461	HEAT EXCHANGER	XP 702
1	100147462	HEAT EXCHANGER	XP 802
CONTROLS			
2	100167579	LOW VOLTAGE CONNECTION BOARD	ALL
3	100167830	INTEGRATED CONTROL	XP 402
3	100167831	INTEGRATED CONTROL	XP 502
3	100167832	INTEGRATED CONTROL	XP 602 - 802
4	100167575	USER INTERFACE CONTROL	ALL
5	100167683	RELAY BOARD, 1.5 HP PUMP	ALL
6	100170596	INLET SENSOR	ALL
7	100170537	OUTLET SENSOR/ HIGH LIMIT	ALL
8	100167445	AIR VENT VALVE	ALL
9	100145008	FAN ASSEMBLY	XP 402
9	100145009	FAN ASSEMBLY	XP 502
9	100144980	FAN ASSEMBLY	XP 602 - 802
10	100146541	BLOWER/AIR ARM GASKET	XP 402
10	100146542	BLOWER/AIR ARM GASKET	XP 502
11	100146458	BLOWER/AIR ARM GASKET	XP 602 - 802
GAS VALVES			
12	100172006	GAS VALVE ASSEMBLY	XP 402
12	100172009	GAS VALVE ASSEMBLY NAT	XPN502
12	100172014	GAS VALVE ASSEMBLY NAT	XPN602
12	100171923	GAS VALVE ASSEMBLY NAT	XPN702
12	100172015	GAS VALVE ASSEMBLY NAT	XPN802
12	100171928	GAS VALVE ASSEMBLY LP	XPL502
12	100171929	GAS VALVE ASSEMBLY LP	XPL602
12	100171930	GAS VALVE ASSEMBLY LP	XPL702
12	100171931	GAS VALVE ASSEMBLY LP	XPL802
13	100146470	GAS VALVE GASKET	XP 602 - 802
14	100146149	GAS CUT OFF VALVE 1X1	XP 402, 602-802
15	100146148	GAS CUT OFF VALVE 3/4 X 3/4	XP 502
16	100146547	GASKET, VENTURI	XP 402
16	100146494	AIR SHROUD GASKET	XP 502
16	100146469	GASKET, VENTURI	XP 602 - 802
17	100163254	AIR INLET KIT	XP 402
17	100163256	AIR INLET KIT	XP 502
17	100163255	AIR INLET KIT	XP 602 - 802
PILOT & BURNER ASSEMBLIES			
18	100165930	FLAME SENSOR W/ GASKET	XP 402 - 502
18	100165931	FLAME SENSOR W/ GASKET	XP 602 - 802
19	100146550	GASKET, FLAME SENSOR	ALL
20	100165929	IGNITOR W/ GASKET	XP 402 - 502
20	100165920	IGNITOR W/ GASKET	XP 602 - 802
21	100146549	GASKET, IGNITOR	ALL
22	100135311	BURNER W/ GASKET	XP 402 - 502
22	100135313	BURNER W/ GASKET	XP 602
22	100135314	BURNER W/ GASKET	XP 702
22	100135315	BURNER W/ GASKET	XP 802
23	100146551	GASKET, BURNER	XP 402 - 502
23	100146481	GASKET, BURNER	XP 602 - 802
24	100173792	GAS/AIR ARM ASSEMBLY W/ GASKET	XP 402
24	100173793	GAS/AIR ARM ASSEMBLY W/ GASKET	XP 502
24	100173798	GAS/AIR ARM ASSEMBLY W/ GASKET	XP 602 - 802
25	100173794	HEAT EXCHANGER ACCESS DOOR KIT	XP 402 - 502
25	100173799	HEAT EXCHANGER ACCESS DOOR KIT	XP 602 - 802
INDIRECT HEAT EXCHANGER			
26	100094572	HEX DOOR TEMP SWITCH BEGINNING SERIAL # F14	ALL
27	100208919	KIT, HEAT EXCHANGER, INDIRECT, CUNI, 1.0, SVC	XP 402 - 602
27	100208920	KIT, HEAT EXCHANGER, INDIRECT, CUNI, 1.5, SVC	XP 702 - 802
27	100208922	KIT, HEAT EXCHANGER, INDIRECT, TI, 1.0, SVC	XP 402 - 602
27	100208923	KIT, HEAT EXCHANGER, INDIRECT, TI, 1.5, SVC	XP 702 - 802
PLEASE HAVE MODEL AND SERIAL NUMBER WHEN ORDERING PARTS			

ITEM NO.	PART NO.	DESCRIPTION	MODEL
INDIRECT HEAT EXCHANGER (CONTINUED)			
28	100209139	KIT, END CAP FLANGE 3"	XP 402 - 602
28	100209140	KIT, END CAP FLANGE 4"	XP 702 - 802
29	100208989	KIT, O-RING, 139.7 X 5.33, END CAP	XP 402 - 802
30	100232478	KIT, O-RING, 78.97 X 3.53, BOILER CONNECTION	XP 402 - 802
31	100146441	GASKET, 3", EPDM	XP 402 - 602
31	100146433	GASKET, 4", EPDM	XP 702 - 802
32	100166553	FLANGE, 3", CPVC	XP 402 - 602
32	100166550	FLANGE, 4", CPVC	XP 702 - 802
MISCELLANEOUS			
33	100163249	SIGHT GLASS	ALL
34	100146553	GASKET, SIGHT GLASS	ALL
35	100167708	RELAY, 1.5 HP PUMP	ALL
36	100145494	DIVIDER PLATE, INSULATION BAFFLE	ALL
37	100145495	BURNER PLATE, INSULATION, DOOR	XP 402 - 502
37	100145476	BURNER PLATE, INSULATION, DOOR	XP 602 - 802
38	100146555	GASKET, DOOR, RUBBER	XP 402 - 502
38	100146482	GASKET, DOOR, RUBBER	XP 602 - 802
39	100162908	DISPLAY BEZEL	ALL
40	100134788	LEVELING LEGS	ALL
41	100163244	CONDENSATE TRAP	ALL
-	100169481	BLOCKED DRAIN SWITCH	ALL
42	100169476	ON/OFF SWITCH	ALL
43	100166100	PRESSURE SWITCH	XP 402
43	100166114	PRESSURE SWITCH	XP 502
43	100166113	PRESSURE SWITCH	XP 602 - 802
44	100170172	TRANSFORMER, 40VA	XP 402 - 702
44	100170173	TRANSFORMER, 60VA	XP 802
45	100162600	KNOB, FLUTED W/ SKIRT	ALL
46	100167399	RELIEF VALVE 30 PSI	ALL
47	100146999	GAUGE TRIOMETER, 75# PSI	ALL
48	100173714	FLOW SWITCH	ALL
-	100146010	FUSE, 0.8 AMP	ALL
-	100146012	FUSE, 3.15 AMP	ALL
-	100146013	FUSE, 5 AMP	ALL
-	100163053	HIGH VOLTAGE CONNECTION BOARD	ALL
-	100170642	FLUE TEMP SENSOR KIT	ALL
-	100157718	SYSTEM SENSOR KIT	ALL
-	100173646	MRLWCO WITH TEST	ALL
-	100157721	NEUTRALIZER KIT	XP 402 - 502
-	100157700	NEUTRALIZER KIT	XP 602 - 802
-	100157719	ALARM BELL	ALL
-	100159011	LP CONVERSION KIT	XP 402
-	100159012	LP CONVERSION KIT	XP 502 - 802
-	100170581	SYSTEM SENSOR	ALL
-	100170590	BULB WELL 1/4"	ALL
-	100148402	LIMIT, HEAT EXCHANGER OVER TEMP	ALL
PUMP			
49	100166418	PUMP	XP 402 - 502
49	100166416	PUMP	XP 602 - 802
JACKET ASSEMBLY			
50	100149689	JACKET, TOP	XP 402
50	100149690	JACKET, TOP	XP 502
50	100149691	JACKET, TOP	XP 602
50	100149692	JACKET, TOP	XP 702
50	100267269	JACKET, TOP	XP 802
51	100189058	JACKET, FRONT	ALL
52	100149878	JACKET, LEFT SIDE	XP 402
52	100149861	JACKET, LEFT SIDE	XP 502
52	100149862	JACKET, LEFT SIDE	XP 602
52	100149863	JACKET, LEFT SIDE	XP 702
52	100149864	JACKET, LEFT SIDE	XP 802
53	100150356	JACKET, RIGHT SIDE	XP 402
53	100150359	JACKET, RIGHT SIDE	XP 502
53	100150361	JACKET, RIGHT SIDE	XP 602
53	100150362	JACKET, RIGHT SIDE	XP 702
53	100150364	JACKET, RIGHT SIDE	XP 802
PLEASE HAVE MODEL AND SERIAL NUMBER WHEN ORDERING PARTS			