

### Features

- Integral flange.
- Left drain.
- Integral apron.
- Integral lumbar support.
- 66" (1676 mm) x 32" (813 mm) x 16-1/4" (413 mm)

### Material

- Cast iron with Safeguard® finish.

### Installation

- Alcove

### Recommended Accessories

- K- 1491 Bath/Whirlpool Pillow
- K- 1601 Bath/Whirlpool Footstop
- K-7160-AF
- K- 7213 27" Cable Bath Drain
- K- 7214 27" Cable Bath Drain



ADA

CSA B651

OBC

### Codes/Standards

ASME A112.19.1/CSA B45.2

ADA

ICC/ANSI A117.1

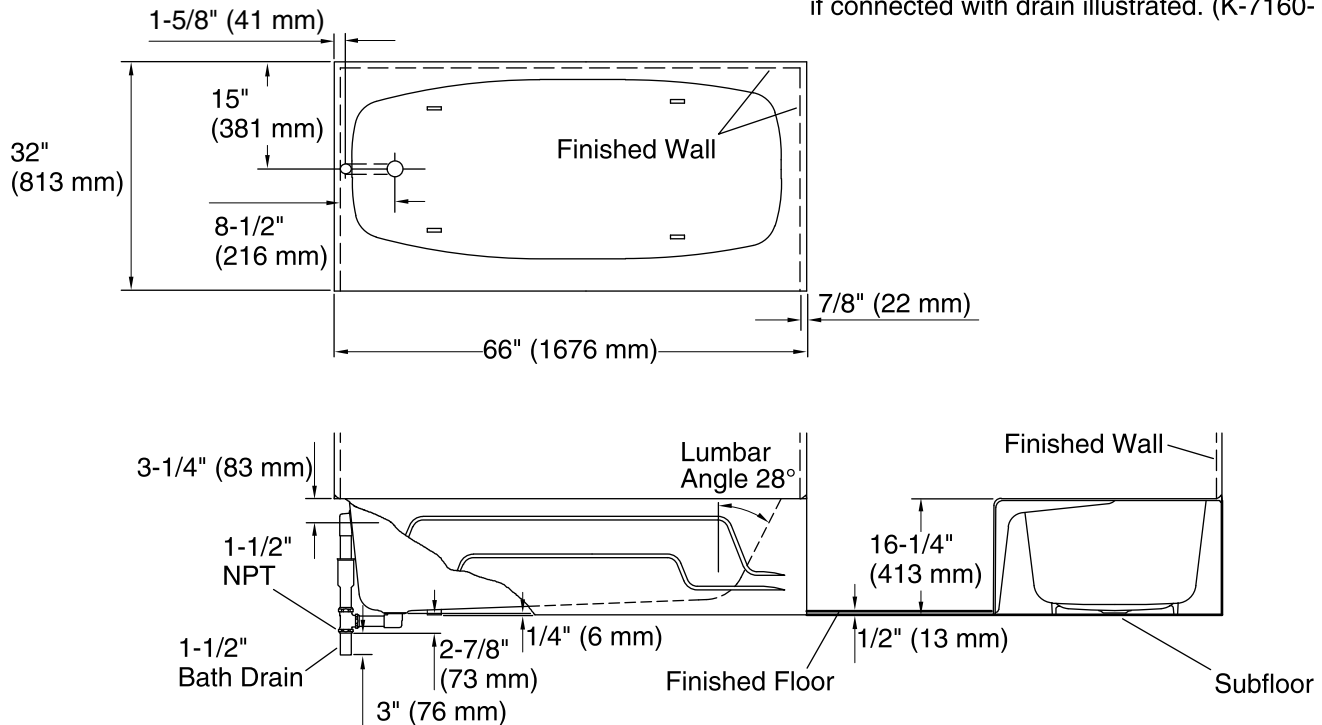
CSA B651

OBC

### **KOHLER® Lifetime Limited Warranty for Cast Iron Components**

See website for detailed warranty information.

No change in measurements if connected with drain illustrated. (K-7160-TF)



### Technical Information

All product dimensions are nominal.

Installation:	3-Wall Alcove
Drain location:	Left
Basin area, bottom:	47" x 22" (1194 mm x 559 mm)
Basin area, top:	60" x 25" (1524 mm x 635 mm)
Weight:	376 lbs (170.6 kg)
Minimum floor load:	54 lbs/ft <sup>2</sup> (263.7 kg/m <sup>2</sup> )
Water depth:	10-7/8" (276 mm)
Water capacity:	47 gal (177.9 L)

### Notes

Measure your actual product for rough-in details.

Install this product according to the installation instructions.

The hot water supply should be 70% of the capacity of the bath or greater. Installations will vary.

Measure your actual product for roughing-in details.

Install this product according to the installation guide.

Hot water supply should be 70% of capacity or greater. Installations will vary.

**NOTICE:** By design, the apron is not perpendicular. The bottom edge of the apron angles out approximately 3/4" (19 mm) from the top of the rim.

ADA, OBC, CSA B651 compliant when installed to the specific requirements of these regulations.