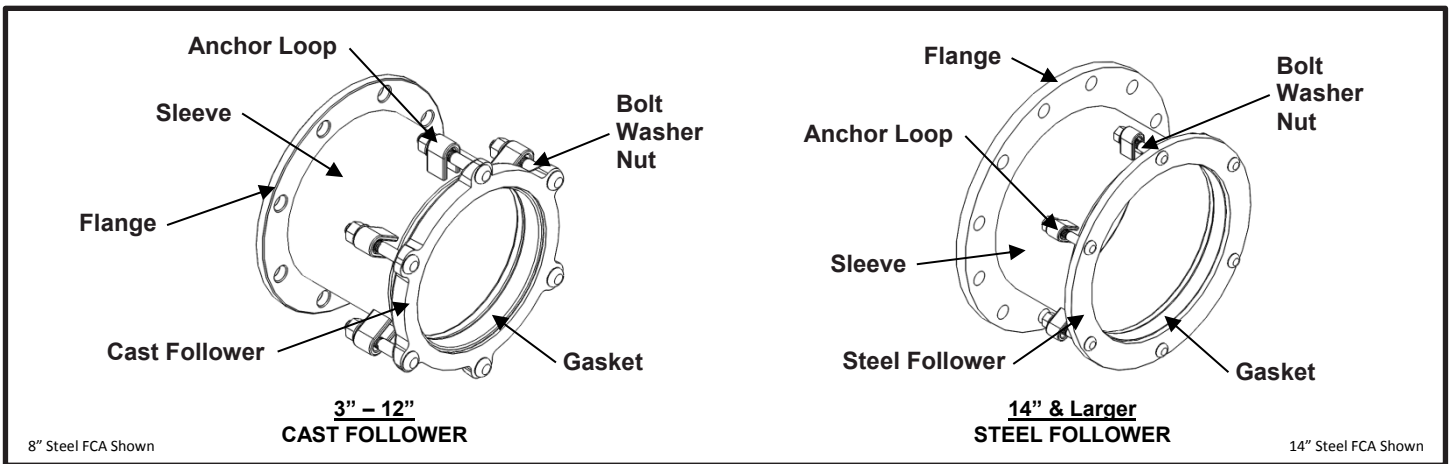


SPECIFICATION

STEEL FLANGED COUPLING ADAPTER

MODEL 913



APPLICATIONS

- **Typical Uses**
 - Joining plain-end pipe to flanged fittings, meters, valves, or other miscellaneous flanged service equipment
 - Replace cracked pipe or spooled flanges
 - Ideal for connecting butterfly or wafer valves
- **Standard Pipe Sizes**
 - 3" & Larger
- **Type of Pipe**
 - Carbon Steel, Stainless Steel, Ductile Iron, Asbestos Cement, PVC, HDPE
(see notes for thin wall PVC and HDPE applications)
- **Working Pressure**
 - 3" – 12" nominal pipe size = 175 psi
Greater than 14" nominal pipe size = 150 psi
(See options for higher working pressure design)

MATERIALS

- **Followers**
 - **Cast Follower (3" – 12")**
 - Cast using Ductile Iron 65-45-12 per ASTM A536
 - Flexi-Coat[®] fusion bonded epoxy finish which meets application methods AWWA C213
 - Permanently marked with part number and pipe size range for proper selection
 - Integral bolt head pocket for one wrench installation
 - **Steel Follower (14" & Larger)**
 - Carbon Steel C1020 per ASTM A576
 - Flexi-Coat[®] fusion bonded epoxy finish which meets application methods AWWA C213
 - Integral bolt head pocket for one wrench installation
- **Sleeve**
 - Material: 3 - 5" nominal pipe size = Carbon Steel per ASTM A513 or A53
6" – 24" nominal pipe size = Carbon Steel per ASTM A283C
 - Flexi-Coat[®] fusion bonded epoxy finish which meets application methods AWWA C213
 - Larger O.D. sleeves provided with hanging ring(s) for ease of installation

SPECIFICATION

STEEL FLANGED COUPLING ADAPTER

MODEL 913

- **Flange**
 - Carbon Steel per ASTM A36
 - Type: 3" - 5" nominal pipe size = ANSI 150# Flat Face
6" & larger nominal pipe size = AWWA C207 Class D 150#
- **Gasket**
 - Nitrile (Buna-N) per ASTM D2000
 - NSF/ANSI 61 and 372 certified
 - Compounded to resist water, oil, natural gas, acids, alkalies, most (aliphatic) hydrocarbon fluids, and many other chemicals
 - Temperature range: -20°F to +180°F
 - For ductile iron and asbestos cement pipe sizes, the gaskets sealing surface has molded in ribs for maximum sealing on textured pipe
 - Permanently marked with part number and pipe size range for proper selection
- **Anchor Loop**
 - Carbon Steel per ASTM A36
- **Bolts**
 - HSLA Carbon Steel per AWWA C111/A21.11
 - 5/8"-11UNC, 4.50", Oval Neck Track Head
 - Rolled threads for improved physical characteristics, greater thread accuracy, and smooth surface finish
- **Nut**
 - HSLA Carbon Steel per AWWA C111/A21.11
 - 5/8"-11UNC, Heavy Hex Semi-Finished
- **Washer**
 - Carbon Steel per ASTM F844
 - Fe/Zn coated per ASTM F1941-10
 - 5/8" Type A Plain
 - Utilized to preserve corrosion resistance of epoxy coated surfaces and increase bearing surface

LISTINGS

- UL certified to NSF/ANSI 61 & 372
- Meets applicable AWWA C219 standards

OPTIONS

- Other materials of construction (e.g. 304SS, 316SS, etc.)
- Type 304 Stainless Steel hardware with fluoropolymer coated nuts to prevent galling
- Type 316 Stainless Steel hardware with fluoropolymer coated nuts to prevent galling
- Alternative gasket material (e.g. Buna-N, EPDM, etc.)
- Anode connector
- Insulating boot
- Anchor studs (Pipe Restraint)
- Pipe stops incorporated into sleeve
- Higher working pressure design
- Custom sleeve length and thickness
- Any industry standard flange
- Transition gasket for undersized pipe



SPECIFICATION

STEEL FLANGED COUPLING ADAPTER

MODEL 913

NOTES

- This product **does not** restrain the pipe from pulling out of the fitting
- Pipe stiffeners **are required** when this product is used on thin wall PVC and HDPE pipe
- Flexi-Coat[®] is a registered trademark of Smith-Blair Inc.
- These product specifications were correct at the time of publication and are subject to change without notice
- See the Smith-Blair[®] web site for part numbers and ordering information
- See the Smith-Blair[®] web site for warranty information
- See the Smith-Blair[®] web site for corrosion warnings

Minimum 3" pipe insertion required

Total Maximum Allowable Axial Pipe Movement per Coupling

Coupling Size	Allowable Movement
3/4" to 2"	1/16"
2-1/2" to 10"	1/8"
10-3/4" and Larger	3/16"

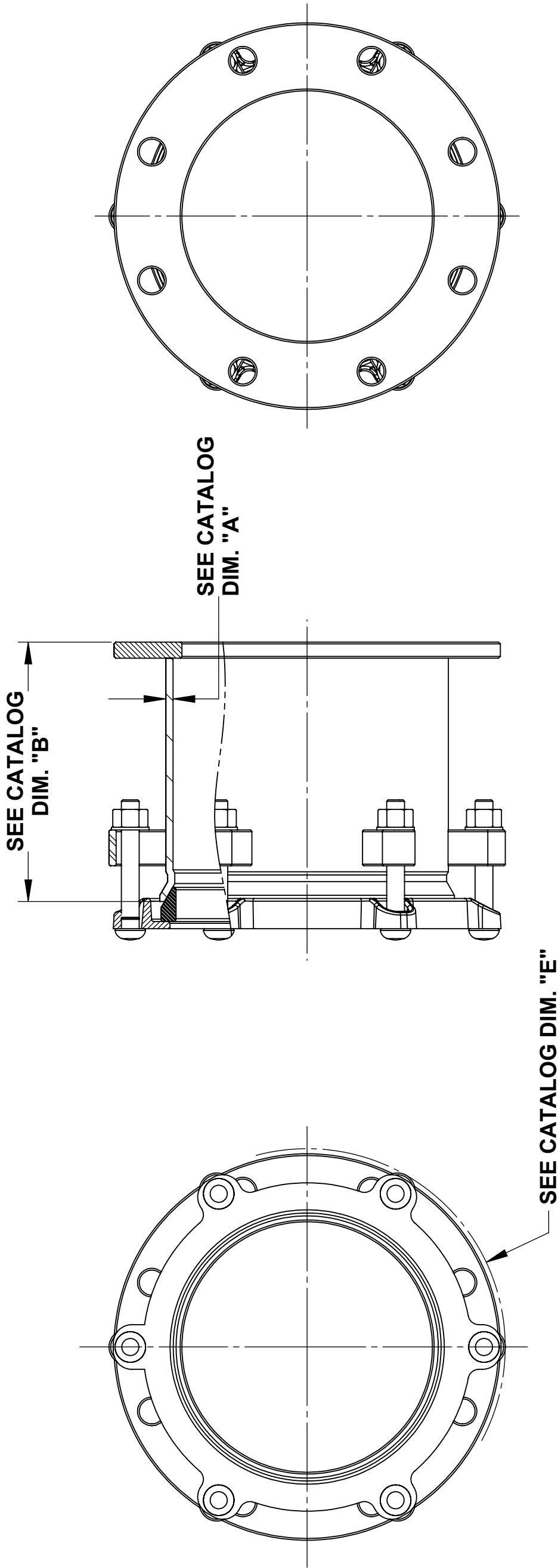
Pipe End Tolerances

Pipe OD	Minus Tolerance	Plus Tolerance
1/2" up to 16"	-0.06	+0.06
>16" up to 24"	-0.08	+0.08
>24" up to 42"	-0.10	+0.10
>42"	-0.06	+0.12

Maximum Angular Deflection per Coupling

Nominal Pipe Size	Center Sleeve Length		
	5"	7"	10" and Larger
1/2" up to 2"	3-1/2°	3-1/2°	3-1/2°
>2" up to 12"	2°	2-1/4°	2-1/4°
>12" up to 24"	3/4°	1°	1-1/8°
>24" up to 36"	-	1-3/4°	2°
>36" up to 42"	-	1-1/2°	1-3/4°
>42" up to 60"	-	1-1/4°	1-1/2°
>60" up to 80"	-	-	1-1/4°
>80" up to 100"	-	-	1°
>100"	-	-	-

30 Globe Ave, Texarkana, AR 71854
 Ph: 870-773-5127 • Fax: 870-773-5212
 Toll-Free Numbers: Ph: 800-643-9705 • Fax: 800-648-6792



**3" - 12"
CAST FOLLOWER**

CERTIFIED TO NSF/ANSI 61-G & 372

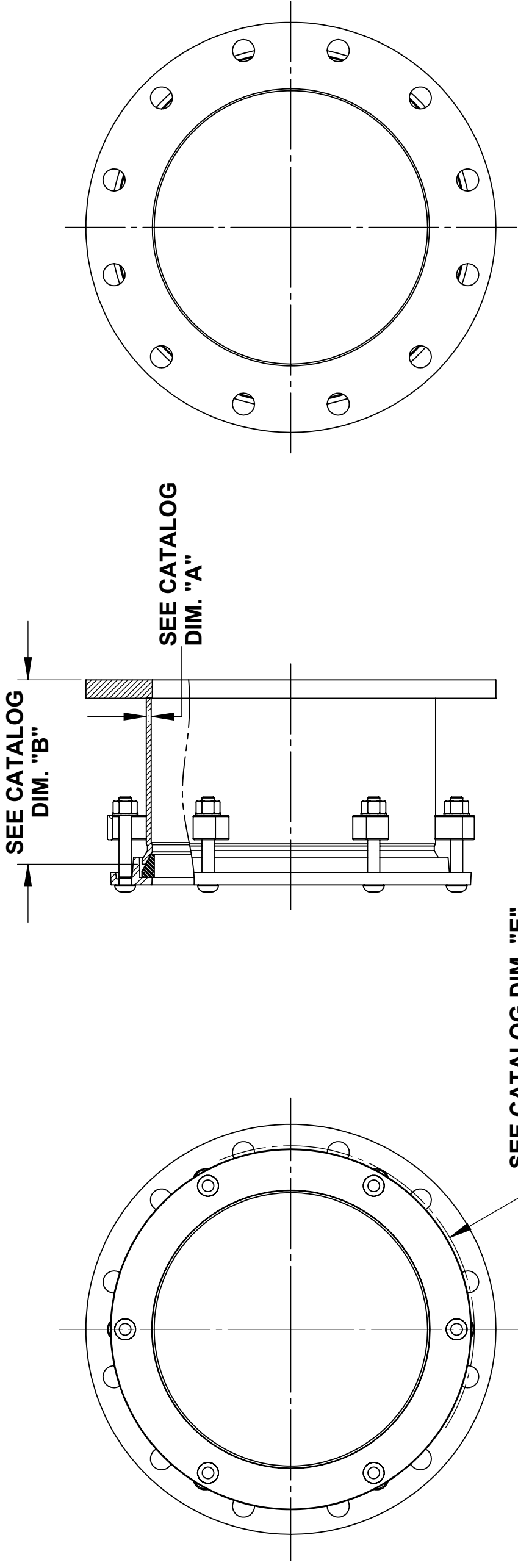
TOLERANCES U.N.O. XX= ±.03 XXX= ±.015 FRACTIONS= 1/16 ANGLES= ±1° MACH. FIN.	NOTES: REMOVE BURRS AND SHARP EDGES DO NOT SCALE DWG.	APP'D	DATE
	SCALE: N/A	CK'D	DATE
ALL DIMENSIONS ARE IN INCHES.		DRN	DATE
		CHD	1/13/16

TITLE
SPECIFICATION
STEEL FLANGED COUPLING ADAPTER
MODEL 913

SMITH-BLAIR, Inc. TEXARKANA, ARKANSAS	P/N	N/A
	DWG. NO.	SPEC_913.DRW
	1 OF 2 SHEET	3/8/16 REV.

- NOTES:
- SEE SMITH-BLAIR CATALOG FOR FLANGE O.D., BOLT QTY & SLEEVE THICKNESS/LENGTH DESIGN CALLOUTS
 - 8" STANDARD SLEEVE LENGTH COUPLING SHOWN OTHER SIZES SIMILAR

WRENCH SIZE CHART	
NUT	SIZE
5/8"-11UNC HH	1-1/16"



**14" & LARGER
STEEL FOLLOWER**

CERTIFIED TO NSF/ANSI 61-G & 372

TOLERANCES U.N.O. XX= ±.03 XXX= ±.015 FRACTIONS= 1/16 ANGLES= ±1° MACH. FIN.	NOTES: REMOVE BURRS AND SHARP EDGES DO NOT SCALE DWG.	APP'D	DATE
	SCALE: N/A	CK'D	DATE
	ALL DIMENSIONS ARE IN INCHES.	DRN	CHD

TITLE
SPECIFICATION
STEEL FLANGED COUPLING ADAPTER
MODEL 913

P/N	N/A
	SMITH-BLAIR, Inc. TEXARKANA, ARKANSAS
DWG. NO.	SPEC_913.DRW
REV.	2 OF 2 SHEET

- NOTES:
- SEE SMITH-BLAIR CATALOG FOR FLANGE O.D., BOLT QTY & SLEEVE THICKNESS/LENGTH DESIGN CALLOUTS
 - 14" STANDARD SLEEVE LENGTH COUPLING SHOWN OTHER SIZES SIMILAR

WRENCH SIZE CHART	
NUT	SIZE
5/8"-11UNC HH	1-1/16"