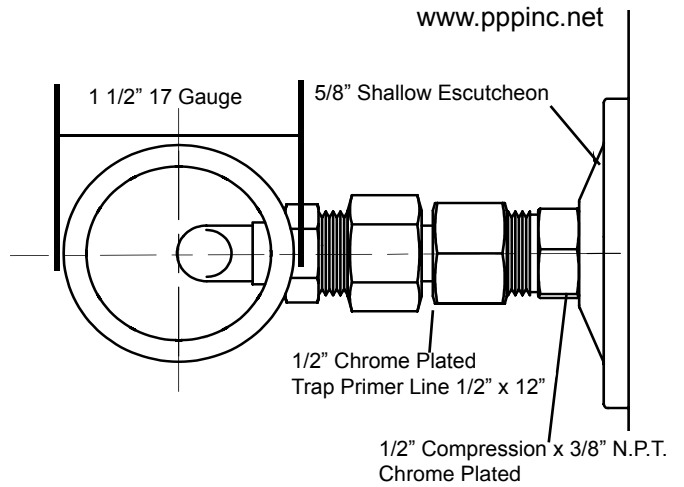
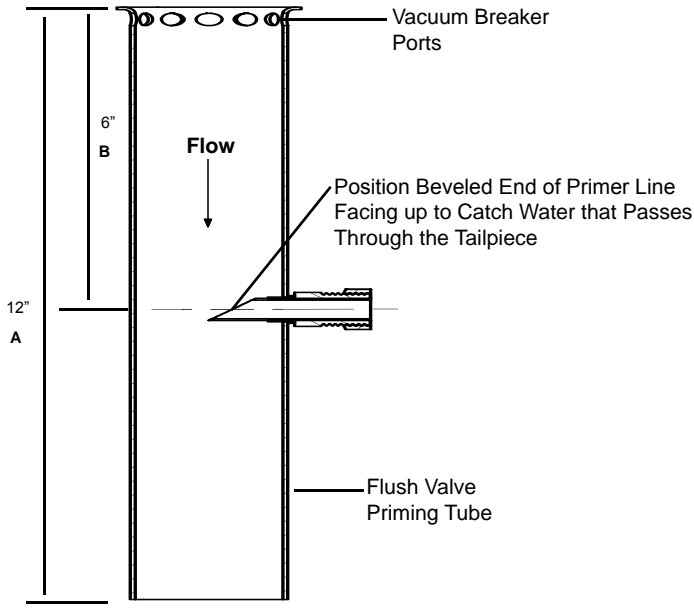




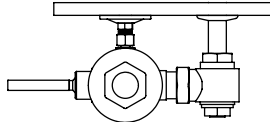
**Precision Plumbing Products**  
*"Specify with Confidence - Install with Pride"*

FLUSH VALVE INSTALLATION/SUBMITTAL



www.pppinc.net

Flush Valve Trap Primer



INSTALLATION - ROUGH-IN DIMENSIONS

Part No. FVP-1VB (w/vacuum breaker)

NOTE: A & B dimensions will vary depending upon flush valve head used.

NOTE: Flush Valve Primer is intended for use with water closets consuming 3.5 to 1.0 gal/flush.

NOTE: Priming Tube may be cut off to adjust for the rough-in of a fresh water make-up line to floor drain trap.

Average discharge per flush at 50 PSI is 3.86 zo.

PROJECT SUBMITTAL

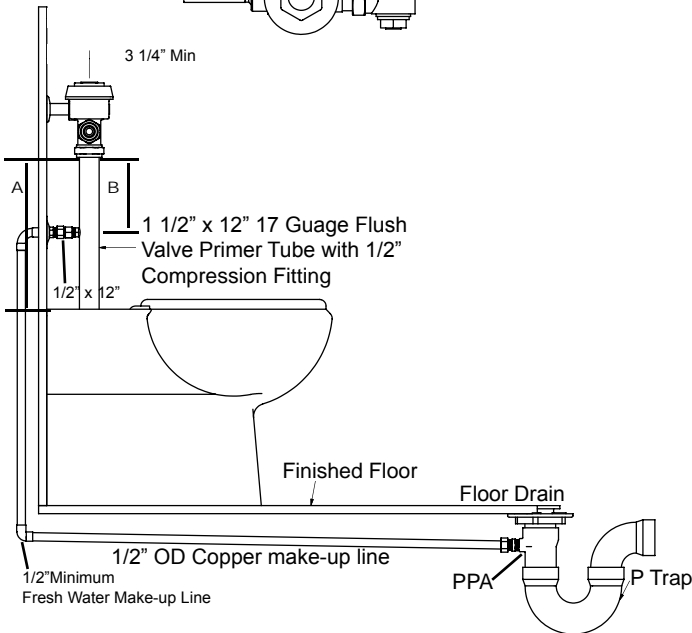
Project: \_\_\_\_\_

Contractor: \_\_\_\_\_

Engineer: \_\_\_\_\_

Date Submitted: \_\_\_\_\_

Prepared By: \_\_\_\_\_



**Precision Plumbing Products**  
 Division of JL Industries, Inc.

Airport Business Center  
 6807 NE 79th Court, Suite E  
 Portland, Oregon 97218

T (503) 256-4010  
 F (503) 253-8165  
 www.pppinc.net

