



S59-2025 (TMV25) Standard Thermostatic Mixing Valves

- Lead-free brass design †
- Reliable liquid-filled thermostat with 10 year warranty
- Integral strainer checkstops on inlets
- Adjustable set point within temperature range
- Accurate temperature control
- Positive shutoff of hot supply when cold supply is lost
- Easy installation and serviceability
- Dirt and lime resistant
- Factory assembled and tested
- Cabinet features:
 - 18 gauge body & door
 - Left-hand hinge
 - Cylinder lock
 - Inlet/outlet knock-out holes for mounting flexibility
 - Stainless steel or baked white enamel finishes
 - Surface-mounted or recessed style with flange

Valve Specifications

Maximum Operating Pressure

125 PSI (860 kPa)

Maximum Inlet Temperature

180°F (82°C)

Temperature Range

Std. 85°F (29°C) to 135°F (57°C)

High 100°F (38°C) to 150°F (66°C)

Set Point

110°F (43°C)

130°F (54°C)

† Wetted surface contains less than 0.25% lead

Flow Capacities – GPM

Model	Min. Flow*	Pressure Drop – PSI						
		5	10	15	20	30	45	60
S59-2025	2.0	5.5	9.0	13.0	16.0	20.0	25.0	29.0

Flow Capacities – L/Min

Model	Min. Flow*	Pressure Drop – Bar						
		.5	1.0	1.5	2.0	2.5	3.0	4.0
S59-2025	8.0	30.0	47.0	60.0	73.0	84.0	94.0	112.0

*Recirculation system only (See diagram on Page 2). When properly installed near the hot water source with a **continuously operating** recirculation pump, the valve will maintain set temperature with a 0.5 gpm (2.0 L/Min) draw from the plumbing system.

Product Compliance



Listed by IAPMO R&T to

- ASSE 1017, CSA B125.3
- Uniform Plumbing Code (UPC),
- National Plumbing Code of Canada and
- International Plumbing Code (IPC)



Listed by ASSE International to

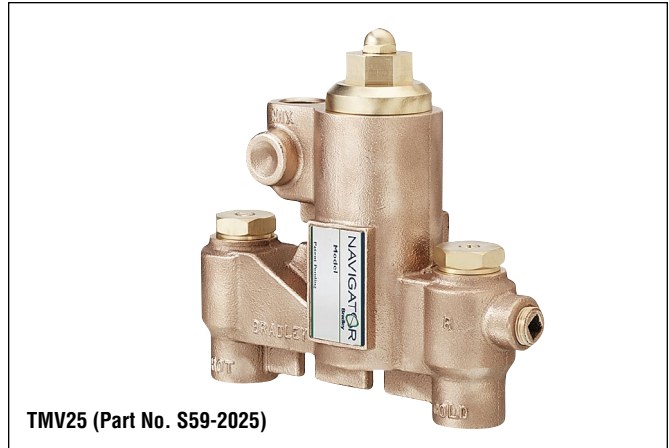
- ASSE 1017



Listed by NSF International to

- NSF/ANSI 372

Standard product selections contained within this document are third party CERTIFIED to NSF/ANSI 372 meeting the Lead-Free content requirement. Any product configured with custom options will be COMPLIANT with NSF/ANSI 372 meeting the Lead-Free content requirement.



TMV25 (Part No. S59-2025)

Valve Model

Model	Description
S59-2025	Standard Thermostatic Mixing Valve

Configurable Valve Model (select one)

Model	Description
TMV25	TMV25 Thermostatic Mixing Valve with Options
CAB-TMV25	TMV25 Thermostatic Mixing Valve Cabinet Only

Optional Valve Selections

Finish	
R	Rough Brass (standard)
C	Chrome Plated
Thermostat	
S	Standard Range Thermostat
H	High Range Thermostat
Thermometer	
T	Dial Thermometer
O	None
Bracket	
B	Wall Mounting Bracket
O	None
Piped Assembly	
P	Piped Assembly with Inlet and Outlet Shutoff
N	Piped Assembly with Outlet Shutoff
O	None

Optional Cabinet Selections

Cabinets (includes bracket)	
SS	Surface Mount Stainless Steel
RS	Recessed Stainless Steel
SE	Surface Mount White Enamel
RE	Recessed White Enamel
O	None
Window	
W	Plexi-Glass Window in Door
O	None

© 2020 Bradley

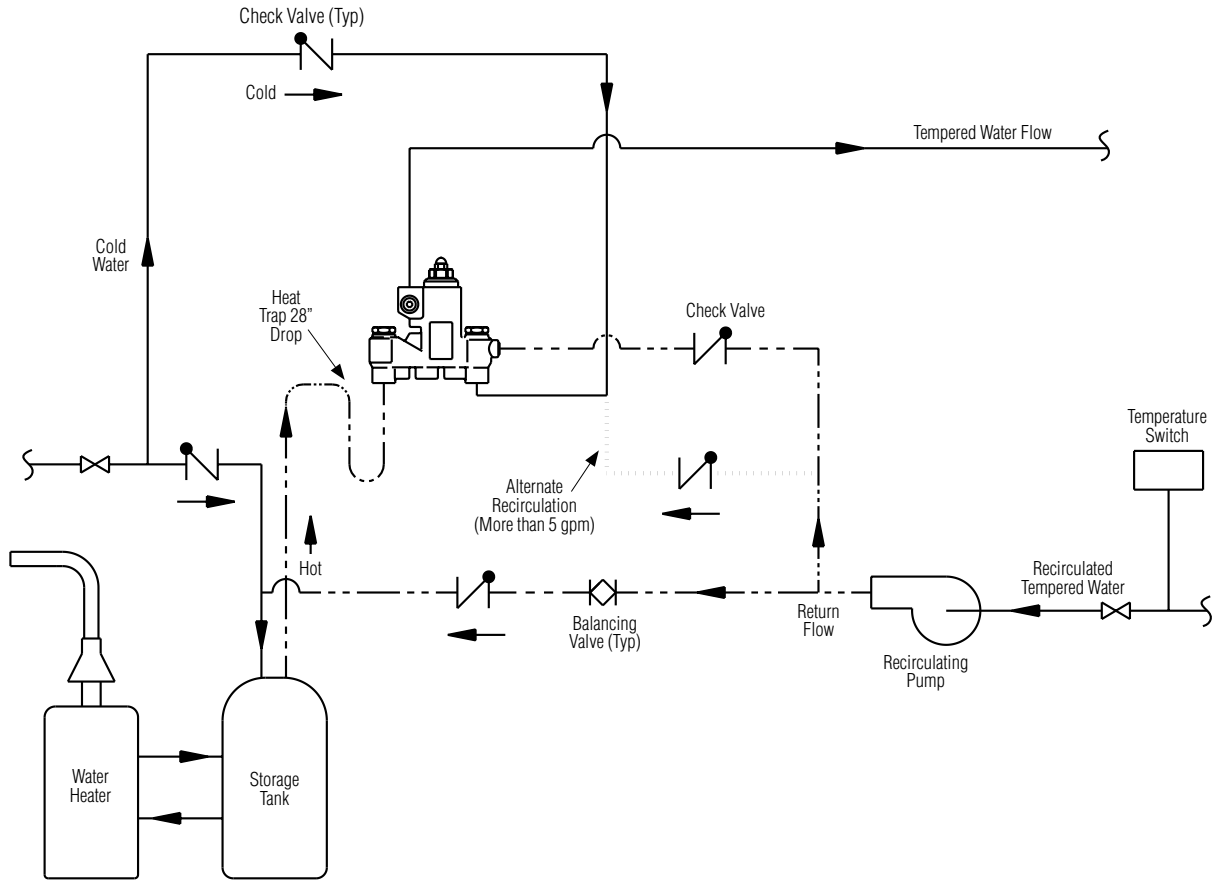
P.O. Box 309, Menomonee Falls, WI 53052-0309
800 BRADLEY (800 272 3539) +1 262 251 6000
bradleycorp.com



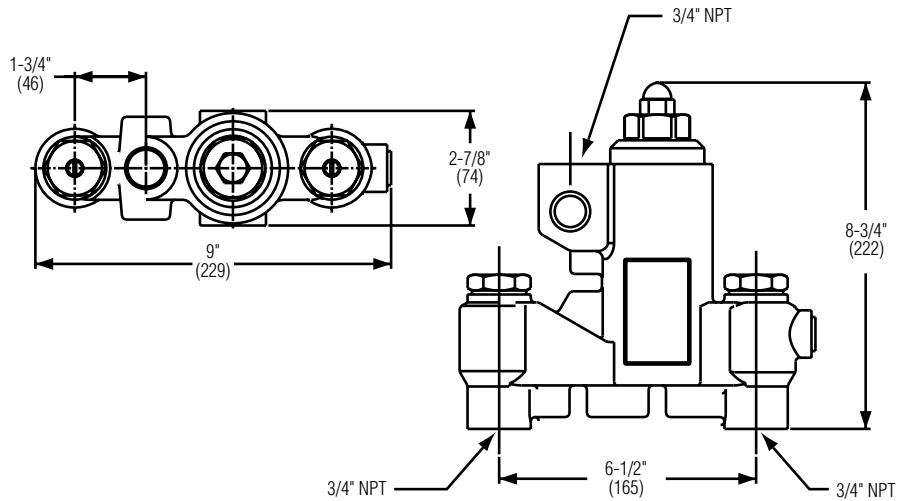
S59-2025 (TMV25) Standard Thermostatic Mixing Valves

Recirculation Diagram

(mm)



Dimensions



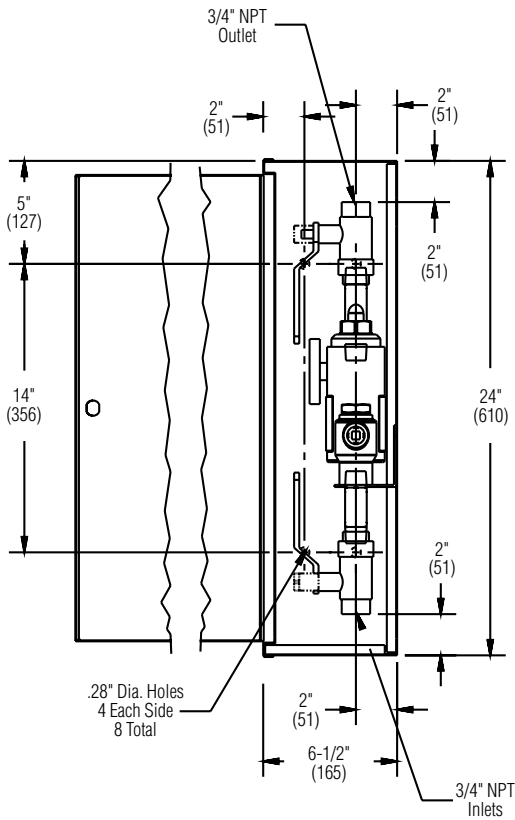


S59-2025 (TMV25) Standard Thermostatic Mixing Valves

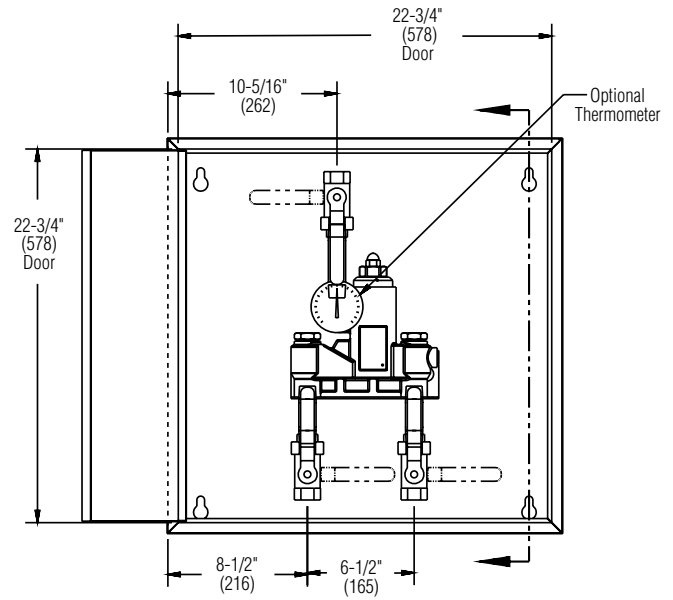
Dimensions — TMV25 Surface-Mounted Cabinet

(mm)

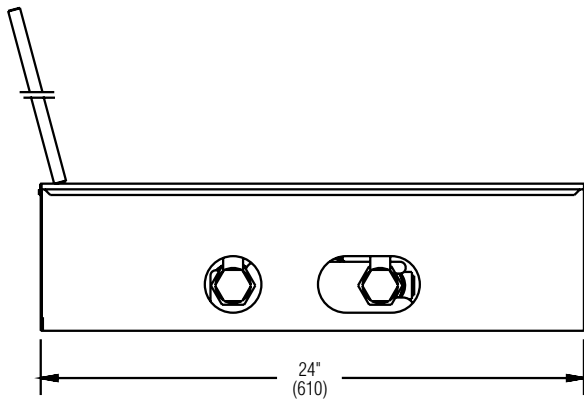
Side View



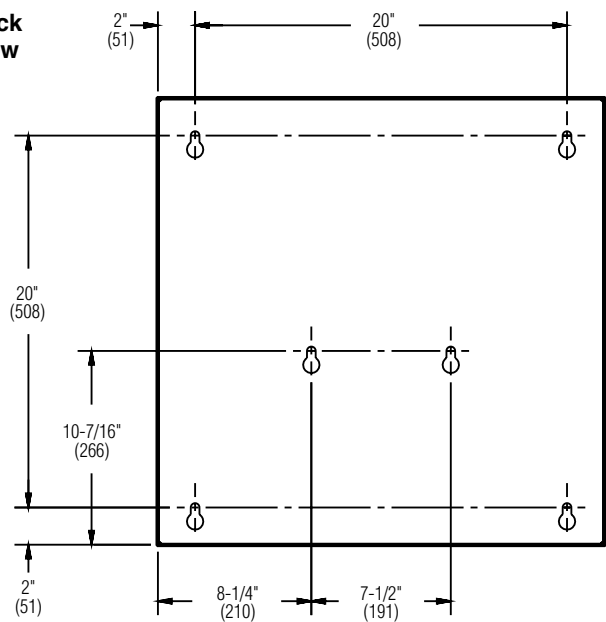
Front View



Bottom View



Back View





S59-2025 (TMV25) Standard Thermostatic Mixing Valves

Dimensions — TMV25 Recessed Cabinet

(mm)

