



S19-2200 (EFX60) Emergency Fixture Thermostatic Mixing Valves

- Exceeds ANSI Z358.1
- Reliable Liquid-Filled Thermostat with 10-Year Warranty
- Integral Strainer Checkstops on Inlets
- Adjustable Set Point within Temperature Range
- Accurate Temperature Control to within $\pm 3^{\circ}$ F
- Built-in Cold Water Bypass, Assuring Cold Flow
- Positive Shutoff of Hot Supply When Cold Supply is Lost
- Easy Installation and Serviceability
- Dirt and Lime Resistant
- Dial Thermometer
- Factory Assembled and Tested
- Universal Mounting Capability
- Cabinet Features:
 - 18 Gauge Body & Door
 - Left-Hand Hinge
 - Cylinder Lock
 - Inlet/Outlet Knock-Out Holes for Mounting Flexibility
 - Stainless Steel or Baked White Enamel Finishes
 - Surface-Mounted or Recessed Style



Valve Model	
Model	Description
<input type="checkbox"/> S19-2200	Emergency Fixture Thermostatic Mixing Valve

Valve Specifications

Maximum Operating Pressure

125 PSI (860 kPa)

Maximum Inlet Temperature

180° F (82° C)

Recommended Inlet Temperature

120° F (49° C) – 140° F (60° C)

Temperature Range

Std.	65° F (18° C) to 95° F (35° C)	Set Point	85° F (29° C)
-------------	--------------------------------	------------------	---------------

Flow Capacities – GPM

Model	Min. Flow	Pressure Drop – PSI						
		5	10	15	20	30	45	60
S19-2200	2	22.0	31.0	38.0	43.5	53.5	65.5	75.5
Cold Bypass Only		16.5	23.5	29.0	33.5	41.0	50.0	58.0

Flow Capacities – L/Min

Model	Min. Flow	Pressure Drop – Bar						
		.5	1.0	1.5	2.0	2.5	3.0	4.0
S19-2200	7.5	99.5	141.0	172.5	199.0	222.5	244.0	281.5
Cold Bypass Only		76.3	108.0	132.0	152.5	170.5	187.0	216.0

This plumbing fixture is not intended to dispense water for human consumption through drinking or for preparation of food or beverages.

Configurable Valve Model <small>(select one)</small>	
Model	Description
<input type="checkbox"/> EFX60	EFX60 Thermostatic Mixing Valve with Options
<input type="checkbox"/> CAB-EFX60	EFX60 Thermostatic Mixing Valve Cabinet Only

Optional Valve Selections	
Finish	
<input type="checkbox"/> R	Rough Brass (standard)
<input type="checkbox"/> C	Chrome Plated

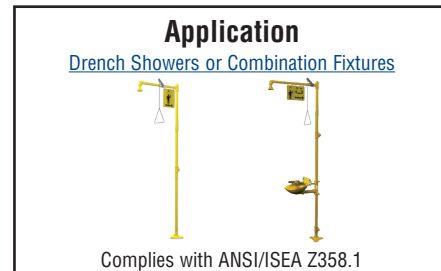
Bracket	
<input type="checkbox"/> B	Wall Mounting Bracket
<input type="checkbox"/> O	None

Piped Assembly	
<input type="checkbox"/> P	Piped Assembly with Inlet and Outlet Shutoff
<input type="checkbox"/> N*	Piped Assembly only
<input type="checkbox"/> O	None

Optional Cabinet Selections	
Cabinets (includes bracket)	
<input type="checkbox"/> SS	Surface Mount Stainless Steel
<input type="checkbox"/> RS	Recessed Stainless Steel
<input type="checkbox"/> SE	Surface Mount White Enamel
<input type="checkbox"/> RE	Recessed White Enamel
<input type="checkbox"/> O	None

Window	
<input type="checkbox"/> W	Plexi-Glass Window in Door
<input type="checkbox"/> O	None

*Requires cabinet selection



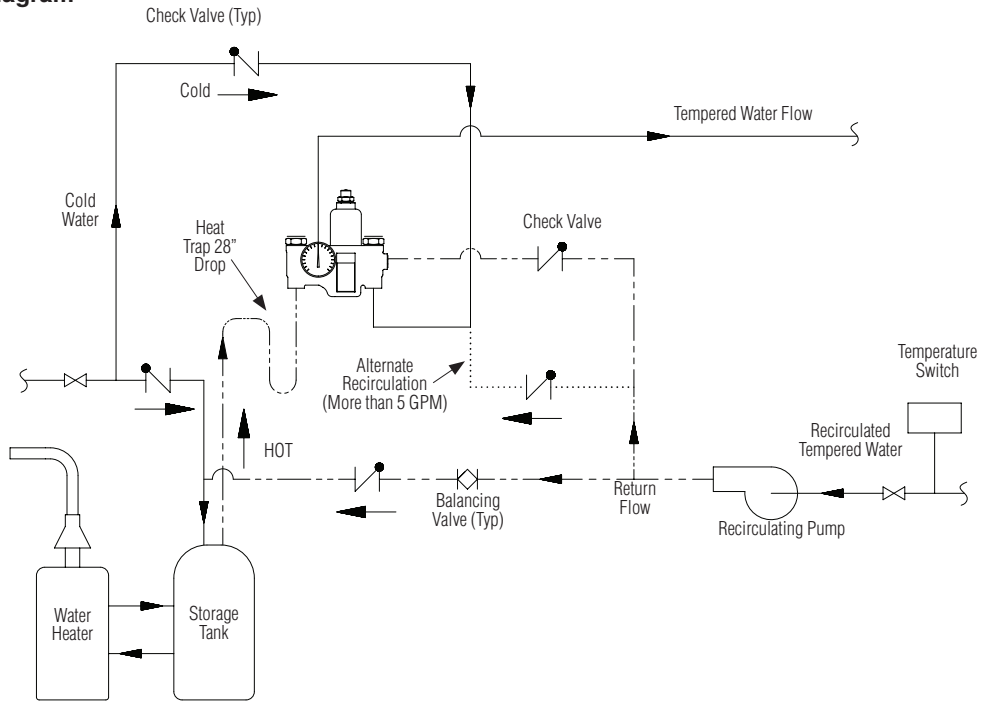
Engineer's Approval _____



S19-2200 (EFX60) Emergency Fixture Thermostatic Mixing Valves

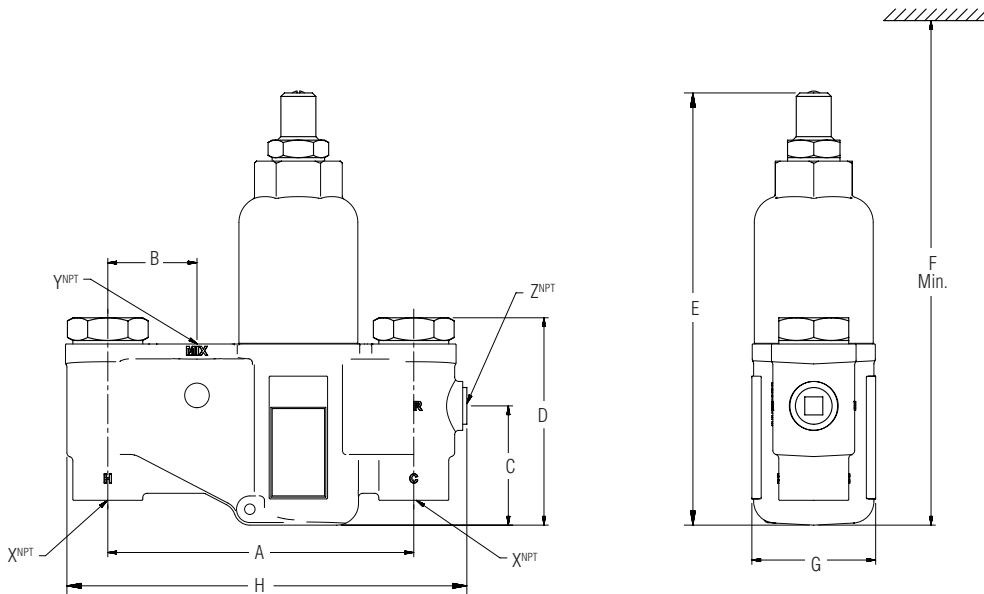
Recirculation Diagram

(mm)



Dimensions

Model	A	B	C	D	E	F	G	H	X ^{NPT}	Y ^{NPT}	Z ^{NPT}
S19-2200	8-3/4" (224)	2-1/2" (64)	3-3/8" (86)	5-7/8" (149)	12-1/4" (312)	19" (483)	3-1/2" (90)	11-1/2" (292)	1"	1-1/4"	3/4"



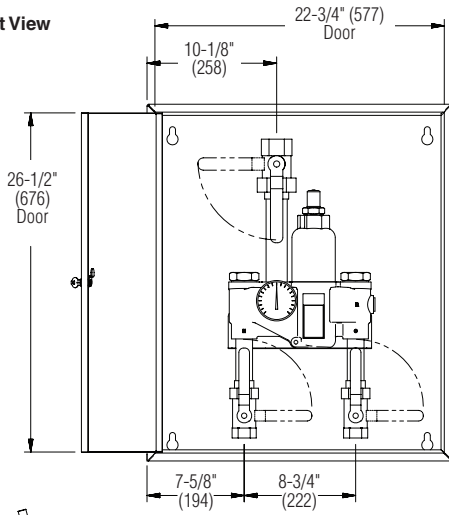


S19-2200 (EFX60) Emergency Fixture Thermostatic Mixing Valves

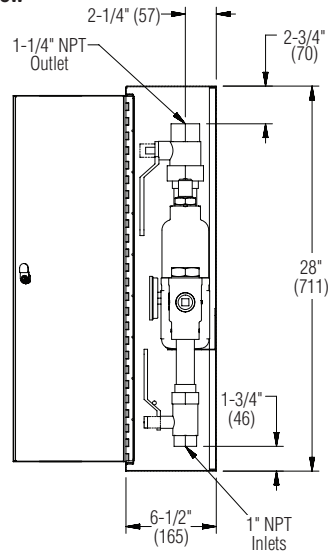
Dimensions — Surface-Mounted Cabinet

(mm)

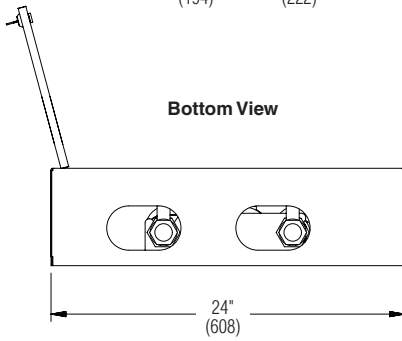
Front View



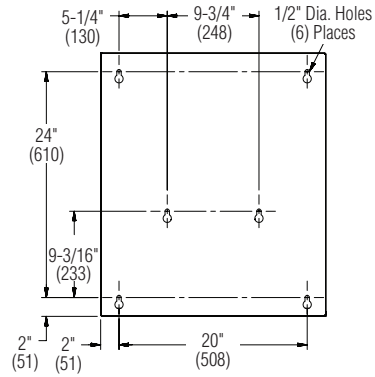
Side View



Bottom View



Mounting Hole Locations

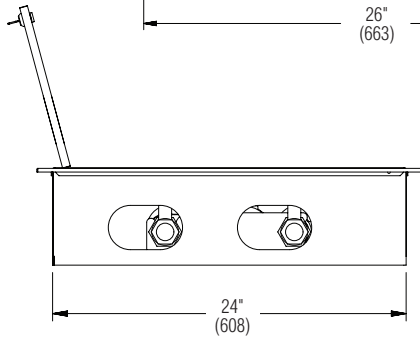
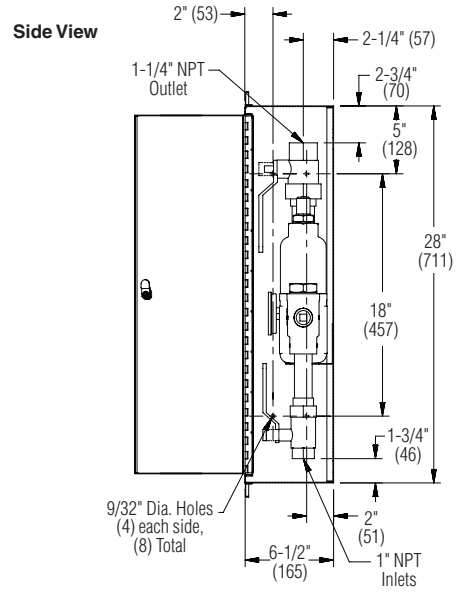
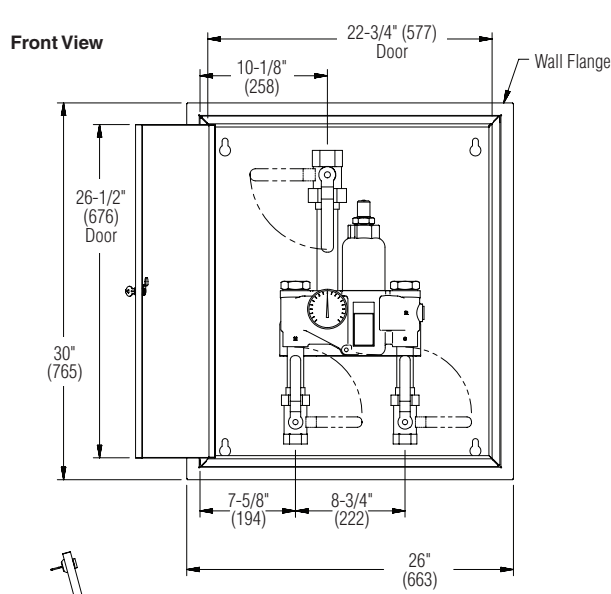




S19-2200 (EFX60) Emergency Fixture Thermostatic Mixing Valves

Dimensions — Recessed Cabinet

(mm)



Bottom View