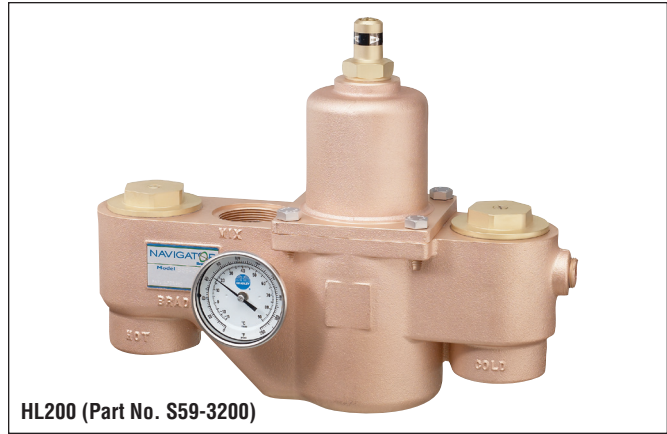




S59-3200 (HL200) Thermostatic High-Low Valves

- Lead-Free Brass Design
- Reliable Liquid-Filled Thermostat with 10-Year Warranty
- Integral Strainer Checkstops on Inlets
- Adjustable Set Point within Temperature Range
- Accurate Temperature Control to within $\pm 3^{\circ}$ F
- Positive Shutoff of Flow in the Event of Cold Supply Line Failure or Thermostat Failure
- Easy Installation and Serviceability
- Dirt and Lime Resistant
- Factory Assembled and Tested
- Universal Mounting Capability
- Dial Thermometer
- Cabinet Features:
 - 18 Gauge Body & Door
 - Left-Hand Hinge
 - Cylinder Lock
 - Inlet/Outlet Knock-Out Holes for Mounting Flexibility
 - Stainless Steel or Baked White Enamel Finishes
 - Surface-Mounted or Recessed Style with Flange



HL200 (Part No. S59-3200)

Valve Specifications

Maximum Operating Pressure

125 PSI (860 kPa)

Maximum Inlet Temperature

200° F (93° C)

Temperature Range

	Std.	High	Set Point
	90° F (32° C) to 120° F (49° C)	110° F (43° C) to 140° F (60° C)	110° F (43° C)
			130° F (54° C)

Flow Capacities – GPM

Model	Min. Flow*	Pressure Drop – PSI						
		5	10	15	20	30	45	60
S59-3200	5.0	60.0	91.0	109.0	127.0	157.0	192.0	220.0

Flow Capacities – L/Min

Model	Min. Flow*	Pressure Drop – Bar						
		.5	1.0	1.5	2.0	2.5	3.0	4.0
S59-3200	19.0	282.5	405.0	499.5	580.0	651.0	715.5	831.0

*Recirculation system only (See diagram on Page 2). When properly installed near the hot water source with a **continuously operating** recirculation pump, the valve will maintain set temperature with a .5 GPM (2.0 L/Min) draw from the plumbing system.

Product Compliance



Listed by IAPMO R&T to

- ASSE 1017, CSA B125.3
- Uniform Plumbing Code (UPC),
- National Plumbing Code of Canada and
- International Plumbing Code (IPC)



Listed by ASSE International to

- ASSE 1017



Listed by NSF International to

- NSF/ANSI 372

Standard product selections contained within this document are third party CERTIFIED to NSF/ANSI 372 meeting the Lead-Free content requirement. Any product configured with custom options will be COMPLIANT with NSF/ANSI 372 meeting the Lead-Free content requirement.

Valve Model

Model

S59-3200

Description

High-Low Thermostatic Mixing Valve

Configurable Valve Model (select one)

Model

HL200

Description

HL200 Thermostatic Mixing Valve with Options

CAB-HL200

HL200 Thermostatic Mixing Valve **Cabinet Only**

Optional Valve Selections

Finish

R

Rough Brass (standard)

C

Chrome Plated

Thermostat

S

Standard Range Thermostat

H

High Range Thermostat

Bracket

B

Wall Mounting Bracket

0

None

Piped Assembly

P**

Piped Assembly with Inlet and Outlet Shutoff

N**

Piped Assembly with Outlet Shutoff

0

None

Optional Cabinet Selections

Cabinets (includes bracket)

SS

Surface Mount Stainless Steel

RS

Recessed Stainless Steel

SE

Surface Mount White Enamel

RE

Recessed White Enamel

0

None

Window

W

Plexi-Glass Window in Door

0

None

** Chrome plating not available.

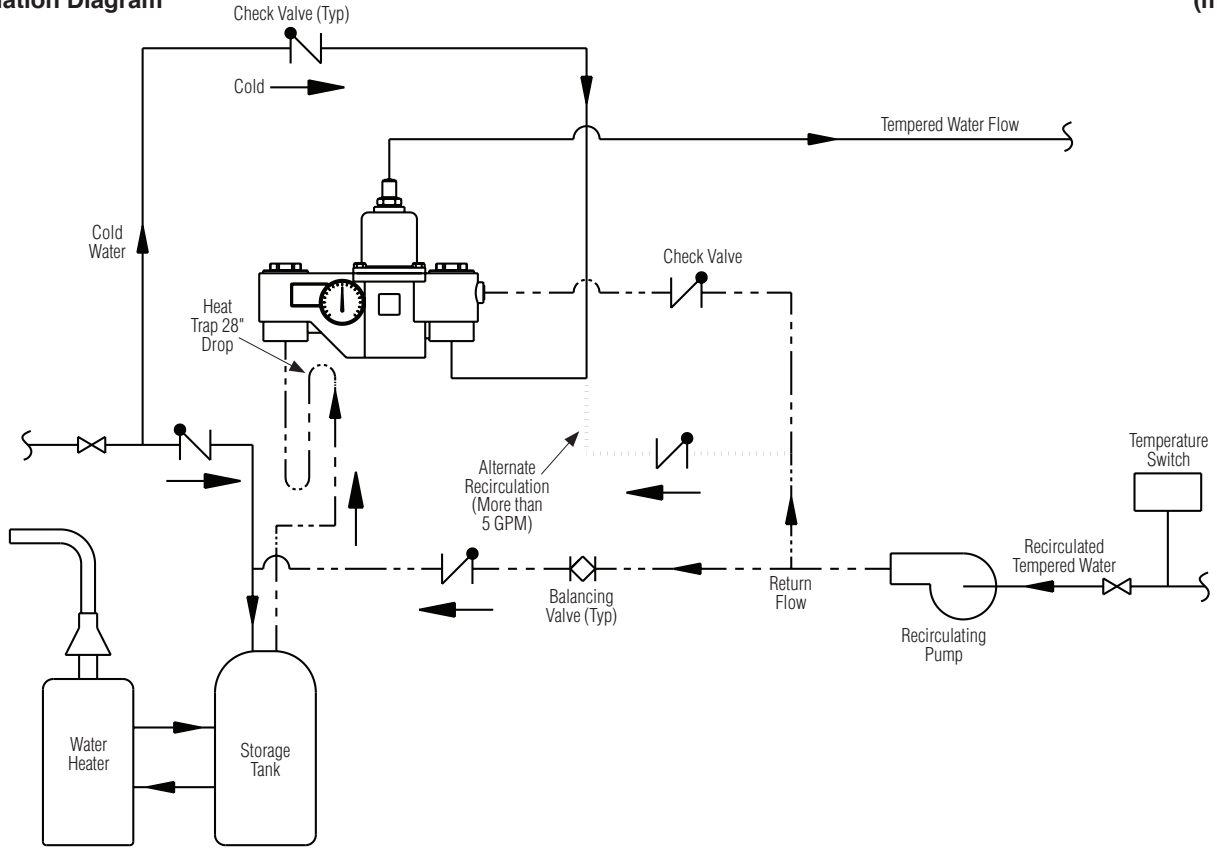
Engineer's Approval _____



S59-3200 (HL200) Thermostatic High-Low Valves

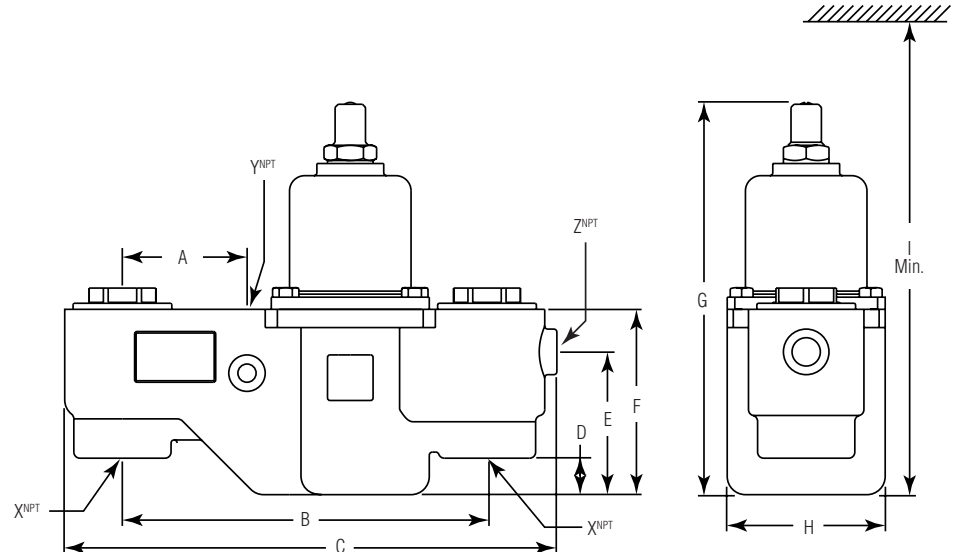
(mm)

Recirculation Diagram



Dimensions

Model	A	B	C	D	E	F	G	H	I	X ^{NPT}	Y ^{NPT}	Z ^{NPT}
S59-3200	3-1/2" (89)	12" (305)	16-1/4" (411)	1-1/2" (38)	4-3/4" (119)	6-1/8" (155)	13" (328)	5-1/4" (132)	19" (483)	2"	2"	3/4"



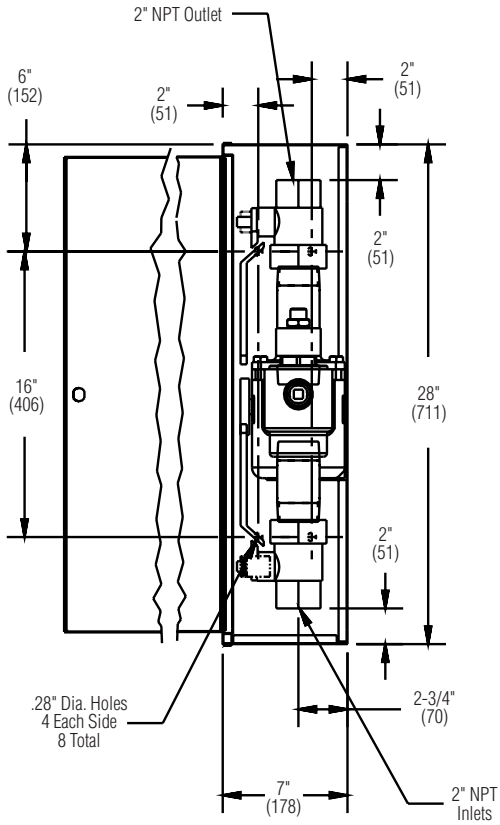


S59-3200 (HL200) Thermostatic High-Low Valves

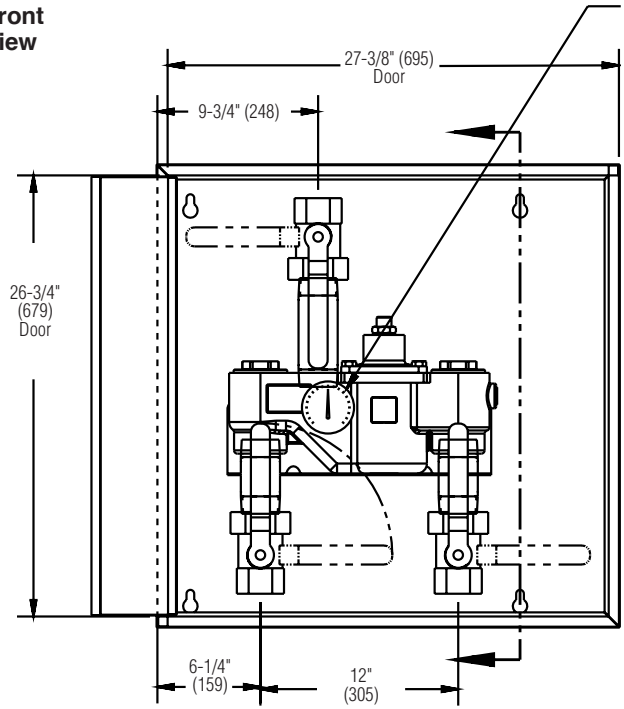
Dimensions — HL200 Surface-Mounted Cabinet

(mm)

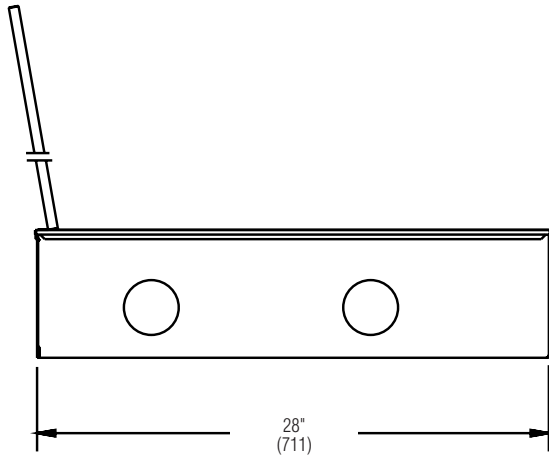
Side View



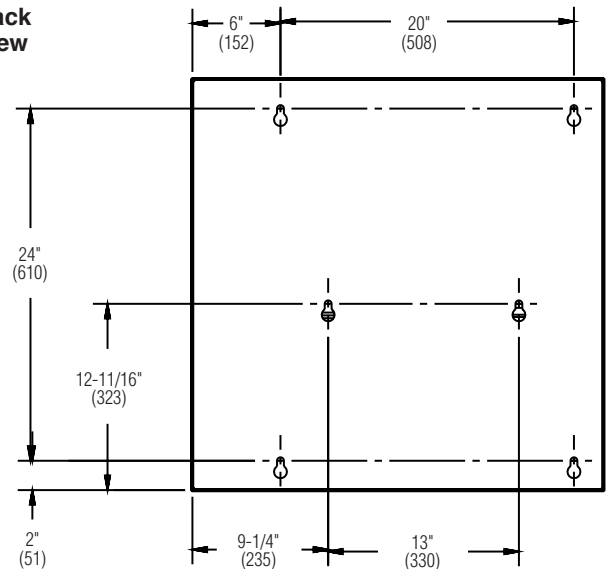
Front View



Bottom View



Back View



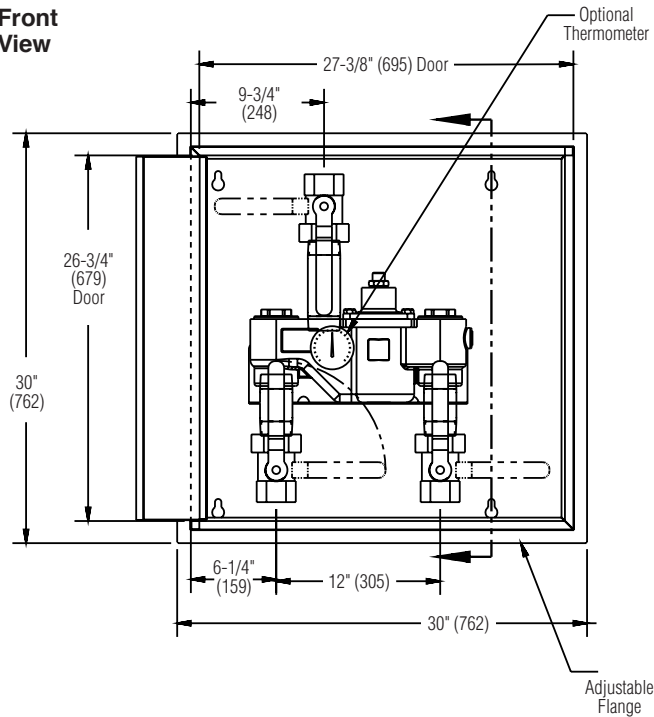


S59-3200 (HL200) Thermostatic High-Low Valves

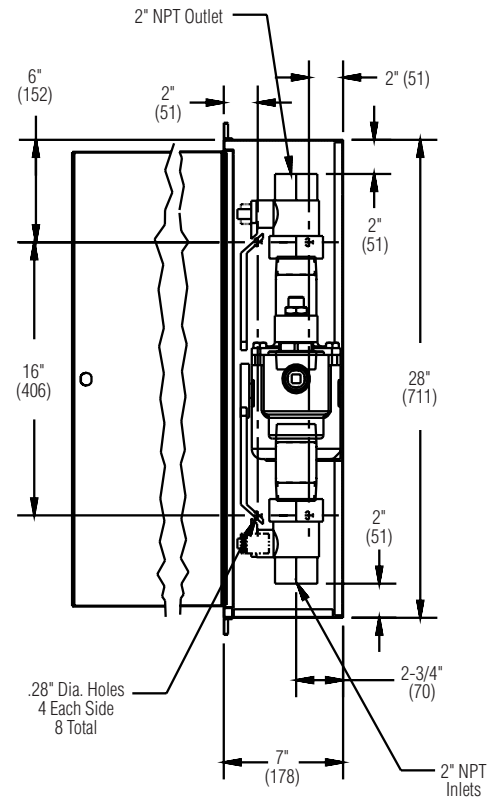
Dimensions — HL200 Recessed Cabinet

(mm)

Front View



Side View



Bottom View

