

**Arezzo® Single Handle Kitchen Faucet
Model LK7226****FEATURES**

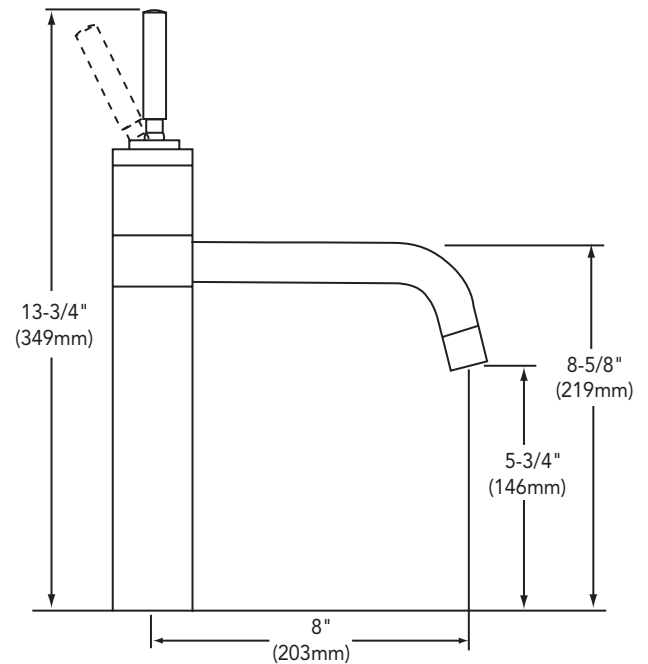
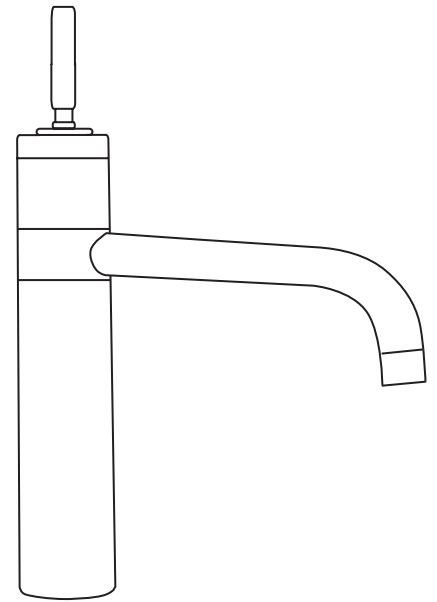
- Single hole top mount installation
 - 1-1/2" (38mm) diameter faucet hole required
 - Maximum countertop thickness 1-1/2" (38mm)
- 360° swing spout
- Single lever faucet with solid brass construction
- Removable ceramic disc cartridge
- Flexible supply tubes with 1/2" (13mm) male I.P.S. adapters
- Available in the following colors & finishes
 - Chrome LK7226CR
 - Brushed nickel LK7226NK
 - Brushed chrome LK7226BC
- Ship Wt. 5.75 lbs. (2.6Kg)
- Due to the weight of this faucet, Elkay recommends that it be installed to an 18" (457mm) gauge stainless steel sink (or heavier) or to a solid surface countertop
- Maximum flow rate
 - 2.5 GPM/9.5 L/min at 80 P.S.I.G
 - 2.5 GPM/8.3 L/min at 60 P.S.I.G

WARRANTY

- Limited Lifetime

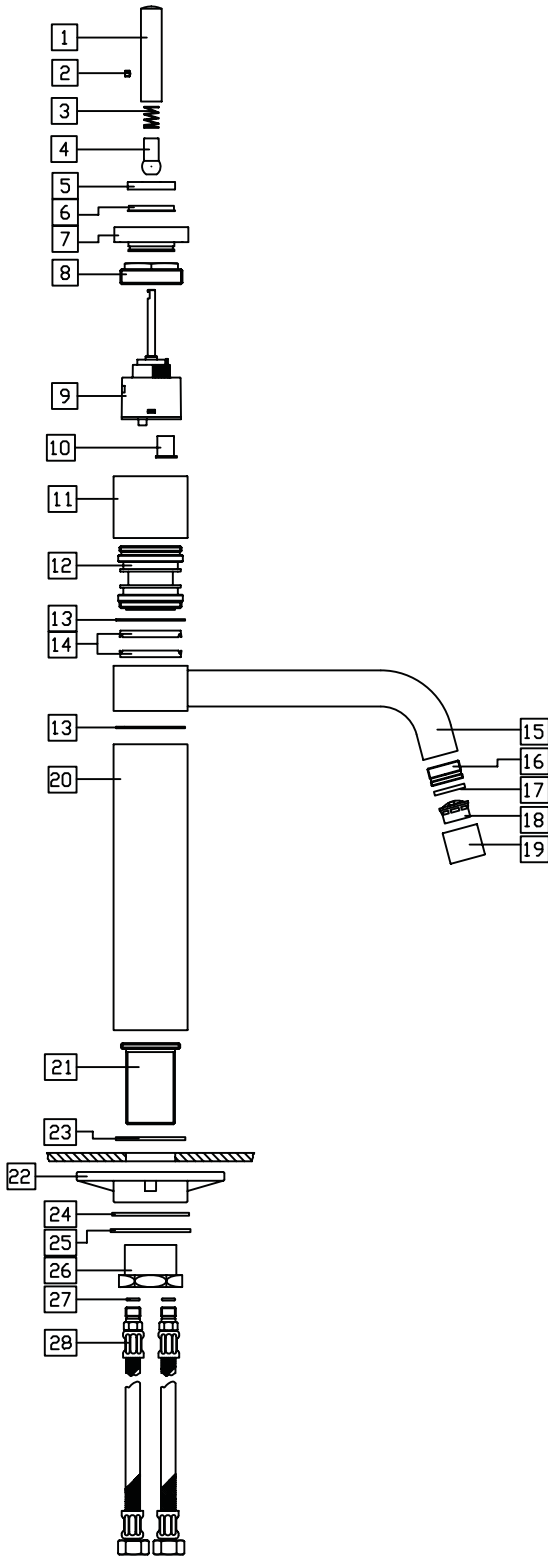
COMPLIES WITH:

- ADA
- ANSI/NSF61-CERTIFIED
- ASME A112.18.1-05/CSA B125.1-2005-CERTIFIED
- CA AB1953/VT S152
- cUPC-CERTIFIED
- UPC-CERTIFIED



SEE OTHER SIDE FOR REPLACEMENT PARTS

Arezzo® Single Handle Kitchen Faucet Model LK7226



ITEM	PART	DESCRIPTION
1		
2		
3	A55952R - CHROME	LEVER HANDLE ASSEMBLY
4	A55953R - BRUSHED NICKEL	
5	A55954R - BRUSHED CHROME	
6		
7		
8	P29241	CARTRIDGE NUT
9	A56102R	CARTRIDGE
10	A56117R	GREEN WASHER
11		
12	N/A	N/A
13		
14		
15	A55991R - CHROME A55992R - BRUSHED NICKEL A55993R - BRUSHED CHROME	SPOUT ASSEMBLY
16	A56034R - CHROME	AERATOR ASSEMBLY
17	A56035R - BRUSHED NICKEL	
18	A56036R - BRUSHED CHROME	
19		
20	N/A	N/A
21		
22		
23		
24	A56021R	HARDWARE
25		
26		
27	A56096R	SUPPLY HOSES (1 PAIR, 1 RED & 1 BLUE)
28		