

Malleable Iron Compression Fittings • Spec Sheet

- ASTM 197
- 125 PSI WOG

- BUNA-N Gaskets
- 180° F

- Zinc Plated Friction Washer
- Black & Hot Dipped Galvanized

440T



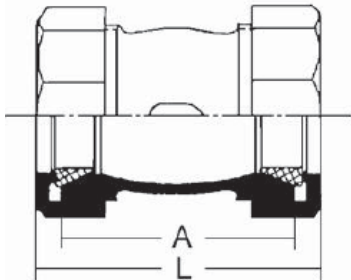
448T



440L

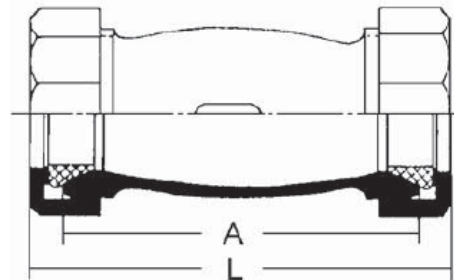


440T Coupling - Short



448T Coupling – Long (Black)

440L Coupling – Long (Galv)



Size (IPS)	Part #	L	A	Quantities	
				Inner	Master
3/8"	440T02C	2.63	2.09	12	72
1/2"	440T03C	2.70	2.25	12	48
3/4"	440T04C	3.07	2.56	12	48
1"	440T05C	3.43	2.76	12	48
1-1/4"	440T06C	3.39	2.84	6	24
1-1/2"	440T07C	3.39	2.84	6	24
2"	440T08C	3.86	3.23	6	12
2-1/2"	440T09C	4.26	3.66	6	12
3"	440T10C	5.12	4.06	3	6

Size (IPS)	Part #	Part #	L	A	Quantities	
	Black	Galv			Inner	Master
1/2"	448T03C	440L03C	3.94	3.43	12	48
3/4"	448T04C	440L04C	4.26	3.74	12	48
1"	448T05C	440L05C	4.61	3.94	6	24
1-1/4"	448T06C	440L06C	4.65	4.14	6	24
1-1/2"	448T07C	440L07C	4.93	4.37	6	24
2"	448T08C	440L08C	5.20	4.57	6	12
2-1/2"	-	440L09C	5.71	5.16	6	12
3"	-	440L10C	7.29	6.23	3	6
4"	-	440L11C	8.39	7.25	3	4



MATCO-NORCA

Global sourcing. National compliance. Local service.

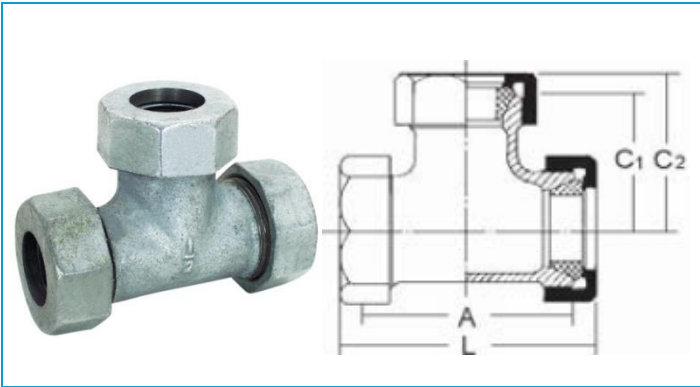
CALIFORNIA 5593 Fresca Dr., La Palma CA 90623 • Toll Free: 866-532-8306 • Fax: 866-532-8307
TEXAS 1150 Silber Rd., Houston TX 77055 • Toll Free: 800-935-5456 • Fax: 713-680-2999
NEW YORK PO Box 27, Rt. 22, Brewster NY 10509 • Toll Free: 800-431-2082 • Fax: 845-278-9056
 WEB: www.matco-norca.com EMAIL: mail@matco-norca.com

Malleable Iron Compression Fittings • Spec Sheet

- ASTM 197
- 125 PSI WOG

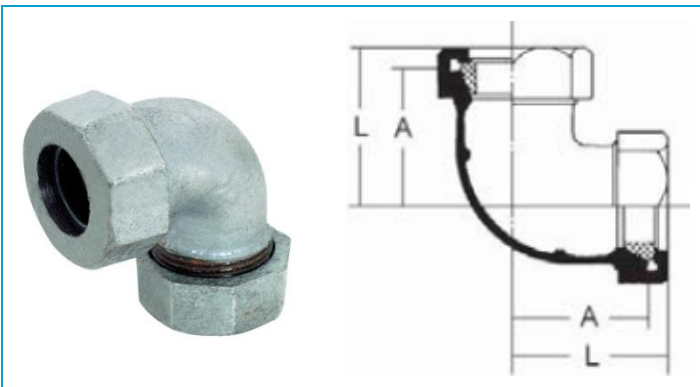
- BUNA-N Gaskets
- 180° F

- Zinc Plated Friction Washer
- Black & Hot Dipped Galvanized



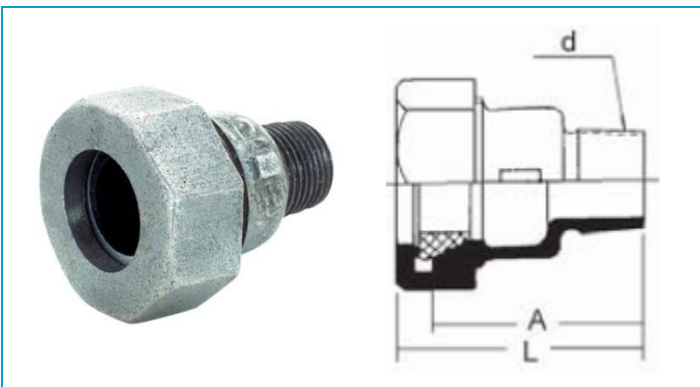
443T – Compression Branch

Size (IPS)	Part #	L	A	C1	C2	Quantities	
						Inner	Master
1/2"	443T03C	3.70	2.96	1.58	2.05	6	24
3/4"	443T04C	3.78	3.15	1.65	1.97	6	24
1-1/4"	443T06C	4.81	4.10	2.17	2.56	3	12



444L – 90° Elbow

Size (IPS)	Part #	L	A	Quantities	
				Inner	Master
1"	444L05C	2.42	2.13	2	8
1-1/2"	444L07C	3.03	2.72	2	8



445T – Male Adapter

Size (IPS)	Part #	L	A	d M.I.P	Quantities	
					Inner	Master
1/2"	445T03C	2.25	1.85	1/2"	12	72
3/4"	445T04C	2.48	2.05	3/4"	12	72
1"	445T05C	2.80	2.36	1"	4	72
1-1/4"	445T06C	2.92	2.56	1-1/4"	4	48
2"	445T08C	3.39	3.07	2"	2	8

 **MATCO-NORCA**
Global sourcing. National compliance. Local service.

CALIFORNIA 5593 Fresca Dr., La Palma CA 90623 • Toll Free: 866-532-8306 • Fax: 866-532-8307
TEXAS 1150 Silber Rd., Houston TX 77055 • Toll Free: 800-935-5456 • Fax: 713-680-2999
NEW YORK PO Box 27, Rt. 22, Brewster NY 10509 • Toll Free: 800-431-2082 • Fax: 845-278-9056
 WEB: www.matco-norca.com EMAIL: mail@matco-norca.com